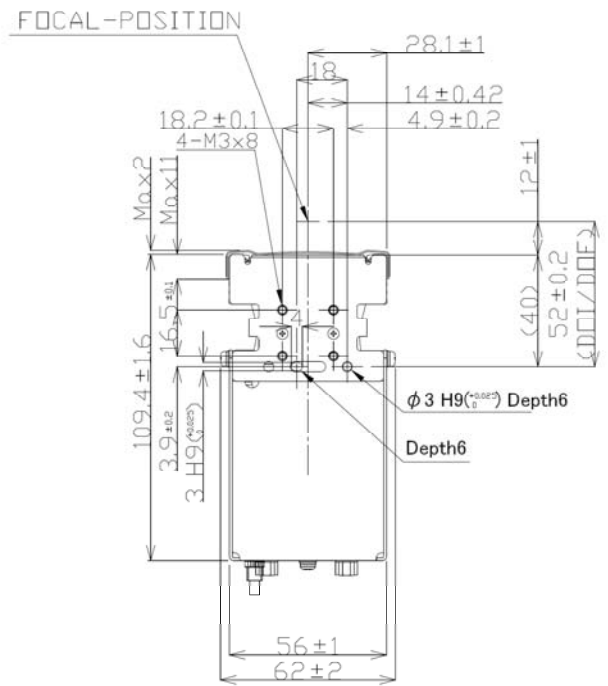
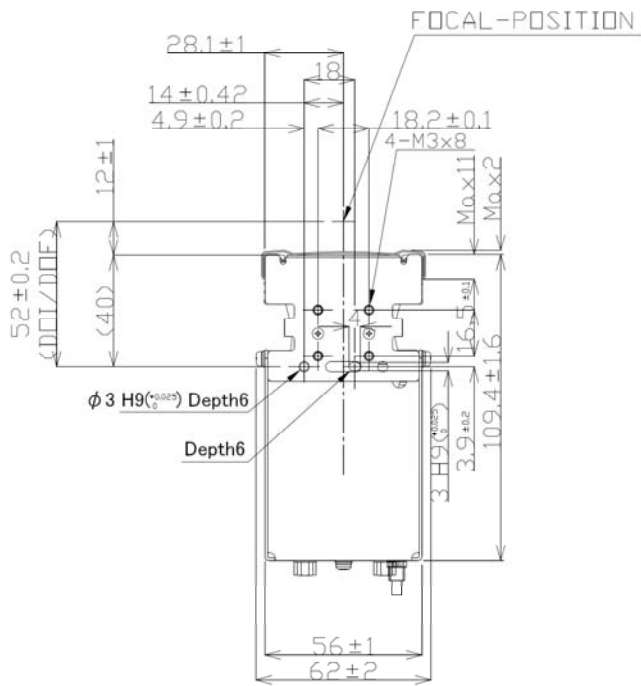


KD6R807CX Outline drawing

1st

END



1st-side

End-side

Side view (common mechanism)