

第6編 クーリングタワー

目次

| | | |
|------------|-----------------------|------------|
| 6.1 | 三菱樹脂株式会社 | 616 |
| 6.1.1 | 仕様..... | 617 |
| 6.1.2 | 外形寸法図..... | 630 |
| 6.1.3 | 機種選定..... | 634 |
| 6.2 | 空研工業株式会社 | 636 |
| 6.2.1 | 仕様..... | 636 |
| 6.2.2 | 外形寸法図..... | 637 |
| 6.3 | 信和産業株式会社 | 647 |
| 6.3.1 | 丸形..... | 647 |
| 6.3.2 | 角形..... | 654 |

機種一覧表<クーリングタワー>

| 形名 | | 能力 | 冷 却 <トン> | | | | | | | | | | | | | | | | | |
|----------|----|-------------------|----------|---|---|---|----|----|----|----|----|----|----|----|----|-----|-----|-----|-----|---|
| | | | 2 | 3 | 5 | 8 | 10 | 15 | 20 | 25 | 30 | 40 | 50 | 60 | 80 | 100 | 125 | 150 | 175 | |
| 三菱樹脂株式会社 | 丸形 | HT-C 標準形 | | | | | | | | | | | | | ○ | ○ | ○ | ○ | ○ | |
| | | HT-SQ 低騒音 | ○ | ○ | ○ | ○ | ○ | ○ | ○ | | | ○ | ○ | ○ | ○ | | | | | |
| | | HT-AQ 低騒音 | | | ○ | ○ | ○ | ○ | ○ | | | ○ | ○ | ○ | ○ | ○ | ○ | ○ | | |
| | 角形 | HT-MS 標準形 | | | | | | | | | | | | | | ○ | ○ | ○ | ○ | ○ |
| | | HT-ME 低騒音 | | | | | | | | | | | | | | ○ | ○ | ○ | ○ | ○ |
| | | HT-MQ 超低騒音 I | | | | | | | | | | | | | | ○ | ○ | ○ | ○ | ○ |
| | | HT-MQQ 超低騒音 II | | | | | | | | | | | | | | ○ | ○ | ○ | ○ | ○ |
| 空研工業株式会社 | 丸形 | SKV-F 標準形 | | ○ | ○ | ○ | ○ | ○ | ○ | ○ | ○ | ○ | ○ | ○ | | | | | | |
| | | SKV-Fs 低騒音 | | ○ | ○ | ○ | ○ | ○ | ○ | | | ○ | ○ | ○ | ○ | | | | | |
| | 角形 | SKB-PoS※ 標準形 | | | | | | | | | | | | | | ○ | ○ | ○ | ○ | ○ |
| | | SKB-PoRS※ 低騒音 | | | | | | | | | | | | | | ○ | ○ | ○ | ○ | ○ |
| | | SKD-Fs※ 超低騒音 | | | | | | | | | | | | | | ○ | ○ | ○ | ○ | ○ |
| 信和産業株式会社 | 丸形 | SBC-ESS 超低騒音 | | ○ | ○ | ○ | ○ | ○ | ○ | | | ○ | ○ | ○ | ○ | | | | | |
| | | SBC-ES 低騒音 | | | | | | | | | | | | | | | ○ | ○ | ○ | ○ |
| | | SBC-E 標準形 | | ○ | ○ | ○ | ○ | ○ | ○ | | | ○ | ○ | ○ | ○ | ○ | ○ | ○ | ○ | ○ |
| | 角形 | SDC-AI 標準形 | | | | | | | | | | | | | | ○ | ○ | ○ | ○ | |

※は合成樹脂製他はFRP製です。

| 冷 却 <トン> | | | | | | | | | | | | | | | | | | 掲 載 頁 |
|----------|-----|-----|-----|-----|-----|-----|-----|-----|-----|-----|-----|------|------|------|------|------|------|-------------|
| 200 | 225 | 250 | 300 | 350 | 400 | 450 | 500 | 525 | 600 | 700 | 800 | 1000 | 1200 | 1400 | 1600 | 1800 | 2000 | |
| ○ | | ○ | | | | | | | | | | | | | | | | 617 |
| | | | | | | | | | | | | | | | | | | 617 |
| | | | | | | | | | | | | | | | | | | 617 |
| ○ | ○ | ○ | ○ | ○ | ○ | ○ | ○ | ○ | ○ | ○ | ○ | ○ | | | | | | 618 |
| ○ | ○ | ○ | ○ | ○ | ○ | ○ | ○ | ○ | ○ | ○ | ○ | ○ | | | | | | 619 |
| ○ | ○ | ○ | ○ | ○ | ○ | ○ | ○ | ○ | ○ | ○ | ○ | ○ | | | | | | 620 |
| ○ | ○ | ○ | ○ | ○ | ○ | ○ | ○ | ○ | ○ | ○ | ○ | ○ | | | | | | 621 |
| | | | | | | | | | | | | | | | | | | 636 |
| | | | | | | | | | | | | | | | | | | 636 |
| ○ | ○ | ○ | ○ | ○ | ○ | ○ | ○ | ○ | ○ | ○ | ○ | ○ | ○ | ○ | ○ | ○ | ○ | 636 |
| ○ | ○ | ○ | ○ | ○ | ○ | ○ | ○ | ○ | ○ | ○ | ○ | ○ | ○ | ○ | ○ | ○ | ○ | 645 |
| ○ | ○ | ○ | ○ | ○ | ○ | ○ | ○ | ○ | ○ | ○ | ○ | ○ | ○ | ○ | ○ | ○ | ○ | 646 |
| | | | | | | | | | | | | | | | | | | 647 |
| ○ | ○ | ○ | ○ | ○ | ○ | | ○ | | ○ | ○ | ○ | ○ | | | | | | 647 |
| ○ | ○ | ○ | ○ | ○ | ○ | | ○ | | ○ | ○ | ○ | ○ | | | | | | 648 |
| ○ | | ○ | ○ | ○ | ○ | | ○ | | ○ | ○ | ○ | ○ | ○ | ○ | ○ | ○ | ○ | 654 |

6.1 三菱樹脂株式会社 本 社 千代田区丸の内2-5-2 TEL<283>4101

本紙に掲載のタワーはビル冷却用です。水温、水量等の条件を変えて工業用に使用する場合は弊社宛ご連絡ください。コンピュータによる最適設計のサービスも行なっております。

ご提示条件、入口水温、出口水温、湿球温度、水量又は、除去熱量、水質、騒音、設置スペース

規格品仕様 〈騒音値〉

●丸形

〈騒音値はルーバ横2m 床上1.5mの点〉

| 冷凍機種類 | ファン形式 | 標準形 | 低騒音 I | 低騒音 II | 消音形 | | |
|-------------|-------|----------|---------|---------|----------|---------|---------|
| | | C形 | SQ形 | AQ形 | AQ I形 | AQ II形 | AQ III形 |
| 37-32(°C)標準 | 直結ファン | 80~250RT | 2~60RT | 5~125RT | 80~125RT | | |
| | | 77~79ホン | 44~61ホン | 50~62ホン | 55~59ホン | 50~57ホン | 50~57ホン |

●角形

〈騒音値はルーバ横2m 床上1.5mの点〉

| 冷凍機種類 | ファン形式 | | 標準形 | 低騒音 | 超低騒音 I | 超低騒音 II |
|--|-------------------|----------------------|-----------|-------------|-------------|-------------|
| | | | MS型 | ME型 | MQ型 | MQQ型 |
| 標準形 37-32(°C) 1冷却トン= 3900kcal/h | 大口径ファン 50/60Hz | 80 } 1000 冷却トン | 68.5~76ホン | 67.5~71.5ホン | 64~68.5ホン | 省電力タイプ |
| | 直結ファン 50Hz | | 64~73ホン | 64~71.5ホン | 57.5~68.5ホン | 56.5~65ホン |
| | 直結ファン 60Hz | | 66.5~80ホン | 61.5~69ホン | 61.5~68.5ホン | 57~66ホン |
| 二重効用吸収式 37.7-32(°C) 1冷却トン= 5700kcal/h | 大口径ファン 50/60Hz | 110 } 900 冷却トン | 68.5~74ホン | 67.5~72.5ホン | 64~69.5ホン | 省電力タイプ |
| | 直結ファン 50Hz | | 66.5~74ホン | 64.5~72ホン | 61~68.5ホン | 60~65.5ホン |
| | 直結ファン 60Hz | | 68.5~77ホン | 61.5~68.5ホン | 61.5~69ホン | 60~67ホン |
| 一重効用吸収式 40-32(°C) 1冷却トン= 7600kcal/h | 大口径ファン 50/60Hz | 130 } 720 冷却トン | 70.5~74ホン | 67~72.5ホン | 64~69.5ホン | 省電力タイプ |
| | 直結ファン 50Hz | | 69~74ホン | 67~72ホン | 62.5~68.5ホン | 61.5~65.5ホン |
| | 直結ファン 60Hz | | 71.5~77ホン | 66.5~69.5ホン | 64~69ホン | 62~67ホン |

6.1.1 仕様

(1)丸形〈HT-C・SQ・AQ・AQ I・AQ II・AQ III形〉

| 区分 | 機種 | 水量 m ³ /h | 外形寸法 | | 重量 最大時 kg | 電動機 200V 三相 | | | 配管サイズ | | | | 運転音 | | |
|----------------------|------------------------|-------------------------|-------|-------|-----------------|----------------|------|-----|-------|-----|-----------|-------------|------|------|------|
| | | | 塔径 | 高さ | | kW | A | 台 | 入口 | 出口 | 手動共 自動 | 排水共 オーバー | 2m | 10m | |
| | | | mm | | | | | | | | | | | | A |
| 標準形 HT-80~250C | 80C | 1,040 | 2,200 | 2,650 | 1,030 | 1.1 | 4.5 | 2 | 100 | 100 | 25 | 50 | 74 | 65 | |
| | 100C | 1,300 | 2,450 | 2,800 | 1,340 | | 4.4 | | | | | | | | |
| | 125C | 1,625 | 2,710 | 2,920 | 1,530 | 2.2 | 9.5 | 3 | 125 | 125 | 32 | 80 | 77 | 67 | |
| | 150C | 1,950 | 2,960 | 2,970 | 1,880 | 1.1 | 4.4 | | | | | | | | |
| | 175C | 2,275 | 3,260 | 3,090 | 1,970 | 1.1 | 4.4 | 1 | 150 | 150 | 32 | 80 | 78 | 70 | |
| | | | | | | 2.2 | 9.5 | | | | | | | | |
| | 200C | 2,600 | 3,470 | 3,180 | 2,335 | 2.2 | 9.5 | 3 | 150 | 150 | 32 | 80 | 76 | 68 | |
| 250C | 3,250 | 3,860 | 3,450 | 2,770 | 4 | | | | | | | | | | 200 |
| 低騒音 I HT-2~60SQ | 2SQ | 26 | 600 | 1,291 | 40 | 0.025 | 0.5 | 1 | 25 | 25 | — | 15 | 44 | 32 | |
| | 3SQ | 39 | | 1,292 | | 0.05 | 0.6 | | | | | | | | |
| | 5SQ | 65 | 751 | 1,669 | 80 | 0.1 | 1.1 | 1 | 32 | 32 | — | 15 | 52 | 47 | |
| | 8SQ | 97.5 | 906 | 1,554 | 110 | | | | | | | | | | |
| | 10SQ | 130 | | 1,444 | | 0.2 | 1.8 | 1 | 40 | 40 | — | 15 | 51 | 44.5 | |
| | 15SQ | 195 | 1,110 | 1,735 | 170 | | | | | | | | | | |
| | 20SQ | 260 | 1,310 | 1,685 | 210 | 0.4 | 2.5 | 1 | 50 | 50 | 15 | 20 | 55 | 43 | |
| | 30SQ | 390 | 1,410 | 2,130 | 280 | | | | | | | | | | |
| | 40SQ | 520 | 1,620 | 2,460 | 410 | 0.75 | 3.5 | 1 | 65 | 65 | — | 20 | 60 | 49.5 | |
| | 50SQ | 650 | 1,720 | 2,466 | 490 | | | | | | | | | | |
| 60SQ | 780 | 1,870 | 2,426 | 540 | 1.1 | 4.5 | 1 | 80 | 80 | 20 | 20 | 58 | 48.5 | | |
| 低騒音 II HT-5~125AQ | 5AQ | 65 | 880 | 1,322 | 100 | 0.1 | 1.1 | 1 | 40 | 40 | 15 | 25 | 50.5 | 37 | |
| | 8AQ | 97.5 | | 1,592 | | | | | | | | | | | 110 |
| | 10AQ | 130 | 1,230 | 1,934 | 210 | 0.2 | 1.7 | 1 | 50 | 50 | 20 | 32 | 53 | 40 | |
| | 15AQ | 195 | | 1,938 | 220 | | | | | | | | | | |
| | 20AQ | 260 | 1,560 | 2,007 | 270 | 0.4 | 2.0 | 1 | 65 | 65 | 20 | 40 | 53.5 | 40 | |
| | 30AQ | 390 | | 2,330 | 400 | | | | | | | | | | |
| | 40AQ | 520 | 1,910 | 2,340 | 660 | 1.5 | 8.8 | 1 | 80 | 80 | — | 20 | 56 | 45.5 | |
| | 50AQ | 650 | | 2,400 | 670 | | | | | | | | | | |
| | 60AQ | 780 | | 2,419 | 680 | 0.75 | 3.1 | 2 | 125 | 125 | 25 | 50 | 57 | 46.5 | |
| | 80AQ | 1,040 | | 1,550 | 15 | | | | | | | | | | |
| | 100AQ | 1,300 | 2,710 | 3,110 | 1,580 | 0.75 | 3.1 | 1 | 125 | 125 | 25 | 50 | 58 | 49.5 | |
| | 125AQ | 1,625 | | | 1,620 | 2.2 | 15 | 2 | | | | | | | |
| 消音タイプ | AQ I ダクト | 80AQ I | 1,040 | 2,710 | 4,310 | 1,700 | 0.75 | 3.1 | 2 | 125 | 125 | 25 | 50 | 55 | 46 |
| | | 100AQ I | 1,300 | | | 1,730 | 1.5 | 3.1 | 1 | | | | | | |
| | | 125AQ I | 1,625 | | | 1,770 | 2.2 | 15 | 2 | | | | | | |
| | AQ II チャンバー | 80AQ II | 1,040 | 3,610 | 3,110 | 1,680 | 0.75 | 3.1 | 2 | 125 | 125 | 25 | 50 | 50 | 42.5 |
| | | 100AQ II | 1,300 | | | 1,710 | 1.5 | 3.1 | 1 | | | | | | |
| | | 125AQ II | 1,625 | | | 1,750 | 2.2 | 15 | 2 | | | | | | |
| | AQ III ダクト チャンバー | 80AQ III | 1,040 | 3,610 | 4,310 | 1,830 | 0.75 | 3.1 | 2 | 125 | 125 | 25 | 50 | 50 | 41 |
| | | 100AQ III | 1,300 | | | 1,860 | 1.5 | 3.1 | 1 | | | | | | |
| | | 125AQ III | 1,625 | | | 1,900 | 2.2 | 15 | 2 | | | | | | |

注 1. 標準能力は水入口温度37℃、水出口温度32℃、入口空気湿球温度27℃、循環水量13ℓ/min冷却トンのときの除去熱量を示し、1冷却トンは3900kcal/hとします。

2. 運転音はAレンジで、距離はルーバ横です。

(2)角形

(a)標準形<MS型>

| 区分 | 機種 HT-MS | 水量 m³/h | 外形寸法 | | | 重量 最大時 kg | 電動機 200V 三相 | | | 配管サイズ | | | | 運転音 | | | | | | | |
|--|--|------------|--------|--------|--------|-----------------|-------------|-------|-------|-------|-------|----------|-----------------|--------|------|------|-------|------|------|-------|-------|
| | | | 幅 | 高さ | 長さ | | kW | A | 台 | 入口 | 出口 | 手動 自動 | 共 排水 オーバー | 2m | 10m | | | | | | |
| | | | | | | | | | | | | | | | | mm | | | A | | |
| 大口 径 フ ァ ン タ イ プ 50 / 60 H z | 150 | 117.0 | 3,800 | 2,200 | 2,000 | 3,200 | 5.5 | 21/20 | 1 | 100×2 | 150×1 | 25×1 | 80×1 | 68.5 | 59.5 | | | | | | |
| | 175 | 136.5 | | | 2,300 | 3,700 | | | | 69 | | | | 60.5 | | | | | | | |
| | 200 | 156.0 | | | 2,500 | 4,000 | | | | 71 | | | | 62.5 | | | | | | | |
| | 225 | 175.5 | | | 2,800 | 4,600 | | | | 70.5 | | | | 62 | | | | | | | |
| | 250 | 195.0 | 4,300 | 3,000 | 4,900 | 7.5 | 27.5/26.5 | 1 | 125×2 | 200×1 | 32×1 | 80×1 | 71.5 | 63 | | | | | | | |
| | 300 | 234.0 | | | 2,700 | | | | | | | | 5,500 | 72.5 | 64 | | | | | | |
| | 350 | 273.0 | 4,600 | 3,000 | 6,200 | 11.0 | 39/39 | 1 | 150×2 | 200×1 | 32×1 | 80×1 | 73 | 65 | | | | | | | |
| | 400 | 312.0 | | | 3,300 | | | | | | | | 7,200 | 72.5 | 64.5 | | | | | | |
| | 450 | 351.0 | 4,100 | 4,300 | 7,800 | 5.5 | 21/20 | 2 | 125×4 | 200×2 | 32×2 | 80×2 | 70.5 | 62 | | | | | | | |
| | 500 | 390.0 | | | 4,400 | | | | | | | | 8,100 | 71 | 62.5 | | | | | | |
| | 600 | 468.0 | 4,300 | 3,200 | 9,600 | 11.0 | 39/39 | 2 | 150×4 | 200×2 | 32×2 | 80×2 | 75 | 67.5 | | | | | | | |
| | 700 | 546.0 | | | 6,000 | | | | | | | | 10,700 | 74 | 66 | | | | | | |
| | 800 | 624.0 | 4,100 | 4,300 | 6,900 | 7.5 | 27.5/26.5 | 3 | 125×6 | 200×3 | 50×2 | 80×3 | 73.5 | 65.5 | | | | | | | |
| | 900 | 702.0 | | | 7,500 | | | | | | | | 13,800 | 75 | 67.5 | | | | | | |
| | 1000 | 780.0 | 4,600 | 3,200 | 8,400 | 11.0 | 39/39 | 3 | 150×6 | 200×3 | 50×2 | 80×3 | 76 | 68.5 | | | | | | | |
| | | | | | 8,400 | | | | | | | | 15,800 | 76 | 68.5 | | | | | | |
| 直 結 フ ァ ン タ イ プ 50 H z | 80 | 62.4 | 4,300 | 2,200 | 1,050 | 2,200 | 2.2 | 9.5 | 2 | 80×2 | 100×1 | 20×1 | 80×1 | 63 | 54 | | | | | | |
| | 100 | 78.0 | | | 1,250 | 2,300 | | | | 65 | 56 | | | | | | | | | | |
| | 125 | 97.5 | | | 2,000 | 3,300 | | | | 3 | 100×2 | | | 25×1 | 80×1 | 67 | 58 | | | | |
| | 150 | 117.0 | | | | | | | | | | | | | | 66.5 | 58 | | | | |
| | 175 | 136.5 | | | 2,150 | 3,500 | | | | 4 | 150×1 | | | 25×1 | 80×1 | 67.5 | 58.5 | | | | |
| | 200 | 156.0 | | | 2,500 | 3,900 | | | | | | | | | | 68 | 59 | | | | |
| | 225 | 175.5 | | | 3,000 | 4,600 | | | | 5 | 125×2 | | | 200×1 | 32×1 | 80×1 | 69 | 60 | | | |
| | 250 | 195.0 | | | 3,150 | 4,700 | | | | | | | | | | | 70 | 61 | | | |
| | 300 | 234.0 | | | 3,900 | 5,900 | | | | 6 | 100×4 | | | 150×2 | 32×1 | 80×2 | 70.5 | 61.5 | | | |
| | 350 | 273.0 | | | 4,300 | 6,500 | | | | | | | | | | | 71 | 62 | | | |
| | 400 | 312.0 | | | 5,000 | 7,300 | | | | 8 | 125×4 | | | 200×2 | 32×2 | 80×2 | 71.5 | 62.5 | | | |
| | 450 | 351.0 | | | 5,600 | 8,100 | | | | | | | | | | | 71.5 | 63 | | | |
| | 500 | 390.0 | 6,000 | 8,900 | 10 | 125×4 | 200×2 | 32×2 | 80×2 | 72 | 64 | | | | | | | | | | |
| | 600 | 468.0 | 7,500 | 10,900 | | | | | | 72 | 64 | | | | | | | | | | |
| | 700 | 546.0 | 8,400 | 12,300 | 14 | 125×6 | 200×3 | 50×2 | 80×3 | 72.5 | 64.5 | | | | | | | | | | |
| | 800 | 624.0 | 9,600 | 13,800 | | | | | | 73 | 65 | | | | | | | | | | |
| | 900 | 702.0 | 10,800 | 15,500 | 19 | 125×8 | 200×4 | 50×2 | 80×4 | 73 | 65.5 | | | | | | | | | | |
| | 1000 | 780.0 | 11,600 | 16,800 | | | | | | 73 | 65.5 | | | | | | | | | | |
| | 直 結 フ ァ ン タ イ プ 60 H z | 80 | 62.4 | 4,100 | 2,200 | 1,050 | 2,000 | 1.1 | 6.3 | 2 | 80×2 | 100×1 | 20×1 | 80×1 | 65.5 | 56.5 | | | | | |
| | | 100 | 78.0 | | | 4,300 | 1,650 | | | | 2,800 | 2.2 | | | 10.5 | 2 | 125×1 | 25×1 | 80×1 | 67.5 | 59 |
| | | 125 | 97.5 | | | | | | | | | | | | | | | | | 1,950 | 3,000 |
| 150 | | 117.0 | 4,100 | 2,000 | 3,200 | 1.1 | 6.3 | 4 | 100×2 | 150×1 | 25×1 | 80×1 | 68.5 | 59.5 | | | | | | | |
| 175 | | 136.5 | | | | | | | | | | | 2,000 | 3,200 | 70 | 61.5 | | | | | |
| 200 | | 156.0 | 4,300 | 2,500 | 3,900 | 2.2 | 10.5 | 3 | 125×2 | 200×1 | 32×1 | 80×1 | 70.5 | 62 | | | | | | | |
| 225 | | 175.5 | | | | | | | | | | | 2,500 | 3,900 | 71.5 | 63 | | | | | |
| 250 | | 195.0 | 4,300 | 3,200 | 4,900 | 2.2 | 10.5 | 4 | 100×4 | 200×1 | 32×1 | 80×1 | 72.5 | 64 | | | | | | | |
| 300 | | 234.0 | | | | | | | | | | | 3,500 | 5,200 | 73 | 64.5 | | | | | |
| 350 | | 273.0 | 4,300 | 4,300 | 6,400 | 2.2 | 10.5 | 6 | 125×4 | 200×2 | 32×2 | 80×2 | 74 | 65.5 | | | | | | | |
| 400 | | 312.0 | | | | | | | | | | | 4,700 | 7,000 | 74.5 | 66 | | | | | |
| 450 | | 351.0 | 4,300 | 5,400 | 7,900 | 2.2 | 10.5 | 8 | 150×4 | 200×2 | 32×2 | 80×2 | 75 | 66.5 | | | | | | | |
| 500 | | 390.0 | | | | | | | | | | | 6,000 | 8,800 | 75 | 67 | | | | | |
| 600 | | 468.0 | 4,300 | 7,050 | 10,500 | 2.2 | 10.5 | 12 | 125×6 | 200×3 | 50×2 | 80×3 | 75.5 | 67.5 | | | | | | | |
| 700 | | 546.0 | | | | | | | | | | | 8,400 | 12,200 | 76 | 68.5 | | | | | |
| 800 | | 624.0 | 4,300 | 9,000 | 13,100 | 2.2 | 10.5 | 14 | 150×6 | 200×3 | 50×2 | 80×3 | 76 | 68.5 | | | | | | | |
| 900 | | 702.0 | | | | | | | | | | | 10,000 | 14,400 | 76.5 | 69 | | | | | |
| 1000 | | 780.0 | 4,300 | 10,000 | 14,400 | 2.2 | 10.5 | 17 | 125×8 | 200×3 | 50×2 | 80×3 | 76.5 | 69 | | | | | | | |
| | | | | | | | | | | | | | 10,000 | 14,400 | 76.5 | 69 | | | | | |

注 1. 標準能力は水入口温度37°C、水出口温度32°C、入口空気湿球温度27°C、循環水量13ℓ/min冷却トンのときの除去熱量を示し、1冷却トンは3900kcal/hとします。
 2. 運転音はAレンジで、距離はルーバ横です。

(b)低騒音<ME型>

| 区分 | 機種 HT-ME | 水量 m ³ /h | 外形寸法 | | | 重量 最大時 kg | 電動機 200V 三相 | | | 配管サイズ | | | | 運転音 | | | |
|--|-------------|-------------------------|--------|--------|--------|-----------------|----------------|---------------|-------|---------------|-----------|----------|--------------------------|-------|-------|--------|-------|
| | | | 幅 | 高さ | 長さ | | kW | A | 台 | 入口 | 出口 | 手動 自動 | 共 排 水 共 オーバー | 2m | 10m | | |
| | | | mm | | | | | | | A | | | | ホン | | | |
| 大口径 ファン タイプ 50 / 60 Hz | 150 | 117.0 | 3,800 | 2,200 | 2,300 | 3,600 | 3.7 | 14.5/ 13.5 | 1 | 100×2 | 150×1 | 25×1 | 80×1 | 67.5 | 58.5 | | |
| | 175 | 136.5 | 4,300 | | 2,500 | 4,100 | | | | 80×4 | | | | 67 | 58 | | |
| | 200 | 156.0 | 4,600 | | 3,500 | 5,400 | | | | 125×2 | 200×1 | 32×1 | | 67.5 | 58.5 | | |
| | 225 | 175.5 | 4,800 | 3,150 | 5,100 | 100×4 | 67 | 60 | | | | | | | | | |
| | 250 | 195.0 | | 3,900 | 3,200 | 2,900 | 6,100 | 5.5 | 21/20 | 150×2 | 200×2 | 32×2 | 80×2 | 69 | 60 | | |
| | 300 | 234.0 | 3,800 | 3,600 | | 4,000 | 7,300 | | | 100×4 | | | | 68.5 | 59.5 | | |
| | 350 | 273.0 | 4,300 | 4,600 | | 8,500 | 3.7 | | | 14.5/ 13.5 | 2 | 125×4 | | 200×2 | 32×2 | 80×2 | 69 |
| | 400 | 312.0 | 4,100 | 4,000 | 7,300 | 5,400 | | 10,100 | 125×4 | | | 68 | 58.5 | | | | |
| | 450 | 351.0 | 4,300 | 3,200 | 5,400 | 10,100 | 5.5 | 21/20 | 3 | 125×6 | 150×3 | 80×3 | 70.5 | 62.5 | | | |
| | 500 | 390.0 | 4,600 | | 6,000 | 10,400 | | | | | | | | | 7,500 | 14,300 | 125×6 |
| | 600 | 468.0 | 4,100 | | 7,500 | 13,600 | | | | 3.7 | 14.5/13.5 | | | | 3 | 125×6 | 150×3 |
| | 700 | 546.0 | 4,300 | 4,600 | 8,700 | 16,200 | 5.5 | 21/20 | 3 | 150×6 | 200×3 | 50×2 | 71 | 63 | | | |
| | 800 | 624.0 | 9,450 | | 17,900 | 71.5 | | | | | | | | | 63.5 | | |
| | 900 | 702.0 | 4,800 | 8,700 | 16,200 | 5.5 | 21/20 | 3 | 150×6 | 200×3 | 50×2 | 71 | 63 | | | | |
| 1000 | 780.0 | 4,800 | 9,450 | 17,900 | 71.5 | 63.5 | | | | | | | | | | | |
| 直結 ファン タイプ 50 Hz | 80 | 62.4 | 4,300 | 2,200 | 1,050 | 2,000 | 2.2 | 9.5 | 2 | 80×2 | 100×1 | 20×1 | 80×1 | 64 | 55 | | |
| | 100 | 78.0 | | | 1,250 | 2,300 | | | | 125×1 | 65 | | | 56 | | | |
| | 125 | 97.5 | | | 1,950 | 2,900 | | | | 4 | 100×2 | 25×1 | | 80×1 | 64.5 | 55.5 | |
| | 150 | 117.0 | 2,800 | | 4,200 | 5 | 150×1 | 65 | 56 | | | | | | | | |
| | 175 | 136.5 | 2,700 | | 4,100 | 6 | 125×2 | 32×1 | 80×2 | 66 | 57 | | | | | | |
| | 200 | 156.0 | 4,000 | | 6,000 | | 6 | | | 80×4 | 67 | 57.5 | | | | | |
| | 225 | 175.5 | 3,500 | | 5,300 | 7 | 125×2 | 32×1 | 80×2 | 57.5 | 58 | | | | | | |
| | 250 | 195.0 | 4,000 | | 6,000 | | | | | 7 | 80×4 | 67.5 | 58.5 | | | | |
| | 300 | 234.0 | 4,600 | | 6,700 | 9 | 100×4 | 150×2 | 80×2 | 68.5 | 59.5 | | | | | | |
| | 350 | 273.0 | 4,100 | | 4,700 | | | | | 6,800 | 9 | 150×2 | 69 | 60 | | | |
| | 400 | 312.0 | 5,400 | | 7,700 | 12 | 125×4 | 200×2 | 80×2 | 70 | 61 | | | | | | |
| | 450 | 351.0 | 6,000 | | 8,600 | | | | | 12 | 200×2 | 69.5 | 60.5 | | | | |
| | 500 | 390.0 | 6,900 | | 10,000 | 14 | 100×6 | 150×3 | 32×2 | 80×3 | 61 | 62.5 | | | | | |
| | 600 | 468.0 | 8,100 | | 11,400 | | | | | | 14 | 125×6 | 200×3 | 70.5 | 62 | | |
| | 700 | 546.0 | 9,000 | | 12,700 | 20 | 125×6 | 200×3 | 80×3 | 71 | 63 | | | | | | |
| | 800 | 624.0 | 10,800 | | 15,100 | | | | | | | 20 | 125×6 | 200×3 | 62.5 | | |
| | 900 | 702.0 | 12,000 | | 16,600 | 23 | 125×8 | 200×4 | 50×2 | 80×4 | 71 | 63 | | | | | |
| | 1000 | 780.0 | 14,000 | | 19,400 | | | | | | | | 23 | 125×8 | 200×4 | 50×2 | 71.5 |
| 直結 ファン タイプ 60 Hz | 80 | 62.4 | 4,500 | 2,200 | 1,250 | 2,400 | 1.5 | 8.5 | 2 | 80×2 | 100×1 | 20×1 | 80×1 | 61.5 | 52.5 | | |
| | 100 | 78.0 | | | 1,750 | 3,100 | | | | 125×1 | 59.5 | | | 49.5 | | | |
| | 125 | 97.5 | 4,700 | | 2,500 | 4,100 | 2.2 | 14.0 | 3 | 100×2 | 150×1 | 25×1 | | 80×1 | 61.5 | 52.5 | |
| | 150 | 117.0 | 4,500 | | 2,900 | 4,800 | | | | | | | 3 | | 125×2 | 63 | 52.5 |
| | 175 | 136.5 | 2,700 | | 4,500 | 4 | 125×2 | 200×1 | 32×1 | 80×1 | 63 | 52.5 | | | | | |
| | 200 | 156.0 | 3,200 | | 5,200 | | | | | | 4 | 150×1 | 25×1 | 63.5 | 54 | | |
| | 225 | 175.5 | 3,500 | | 5,300 | 5 | 100×4 | 150×2 | 80×2 | 66.5 | 57.5 | | | | | | |
| | 250 | 195.0 | 3,900 | | 6,400 | | | | | 5 | 200×1 | 32×1 | 66.5 | 55.5 | | | |
| | 300 | 234.0 | 5,600 | | 8,700 | 6 | 125×4 | 200×2 | 80×2 | 66.5 | 57 | | | | | | |
| | 350 | 273.0 | 5,400 | | 8,400 | | | | | 6 | 150×2 | 32×1 | 68.5 | 59.5 | | | |
| | 400 | 312.0 | 5,400 | | 8,400 | 8 | 125×4 | 200×2 | 80×2 | 67 | 57.5 | | | | | | |
| | 450 | 351.0 | 6,400 | | 10,100 | | | | | 8 | 200×2 | 32×2 | 68.5 | 60 | | | |
| | 500 | 390.0 | 7,050 | | 11,200 | 10 | 125×6 | 200×3 | 80×3 | 67 | 58.5 | | | | | | |
| | 600 | 468.0 | 7,500 | | 11,900 | | | | | 10 | 200×3 | 32×2 | 68.5 | 60 | | | |
| | 700 | 546.0 | 9,450 | | 14,400 | 12 | 125×6 | 200×3 | 80×3 | 70 | 62 | | | | | | |
| | 800 | 624.0 | 10,800 | | 16,500 | | | | | 12 | 200×3 | 50×2 | 69.5 | 61.5 | | | |
| | 900 | 702.0 | 10,800 | | 16,500 | 15 | 125×8 | 200×4 | 80×4 | 70 | 62 | | | | | | |
| 1000 | 780.0 | 12,000 | 18,200 | 15 | 125×8 | | | | | 200×4 | 50×2 | 70 | 62 | | | | |

注 1. 標準能力は水入口温度37℃、水出口温度32℃、入口空気湿球温度27℃、循環水量13ℓ/min冷却トンのときの除去熱量を示し、1冷却トンは3900kcal/hとします。

2. 運転音はAレンジで、距離はルーバ横です。

(c)超低騒音 I <MQ型>

| 区分 | 機種 HT-MQ | 水量 m ³ /h | 外形寸法 | | | 重量 最大時 kg | 電動機 200V 三相 | | | 配管サイズ | | | | 運転音 | | | | |
|--|--|-------------------------|--------|--------|--------|-----------------|----------------|---------|-------|-------|-------|----------|----------------------------|-------|-------|-------|-------|-------|
| | | | 幅 | 高さ | 長さ | | kW | A | 台 | 入口 | 出口 | 手動 自動 | 共 排 水 共 ホ ン | 2m | 10m | | | |
| | | | | | | | | | | | | | | | | mm | | |
| 大口 径 フ ァ ン タ イ プ 50 / 60 H z | 150 | 117.0 | 4,100 | 2,200 | 2,500 | 3,900 | 2.2 | 9.8/9.1 | 1 | 100×2 | 150×1 | 25×1 | 80×1 | 64 | 54.5 | | | |
| | 175 | 136.5 | 4,600 | | 2,700 | 4,500 | 16.5/15.0 | 63.5 | | | | | | 54 | | | | |
| | 200 | 156.0 | | | 3,300 | 5,300 | | 80×4 | | 125×2 | 32×1 | 80×2 | 64 | 54.5 | | | | |
| | 225 | 175.5 | 4,800 | | 3,900 | 6,500 | 65.5 | | | | | | 56 | | | | | |
| | 250 | 195.0 | | 4,300 | 7,100 | 14.5/13.5 | 100×4 | 200×1 | 80×1 | 66.5 | 57 | | | | | | | |
| | 300 | 234.0 | 3,200 | 3,400 | 5,800 | | | | | | | 3.7 | 16.5/ 15.0 | 2 | 150×2 | 80×2 | 67 | 56 |
| | 350 | 273.0 | | 4,000 | 7,300 | 125×4 | 200×2 | 32×2 | 80×3 | 66.5 | 56 | | | | | | | |
| | 400 | 312.0 | | 4,300 | 8,500 | | | | | | | | | | 125×6 | 200×3 | 50×2 | 80×4 |
| | 450 | 351.0 | | 4,600 | 5,000 | 9,500 | 125×8 | 200×4 | 80×4 | 69 | 60 | | | | | | | |
| | 500 | 390.0 | 4,800 | 5,600 | 10,900 | 10,000 | | | | | | 18,300 | 4 | 80×3 | 67.5 | 59 | | |
| | 600 | 468.0 | 4,300 | 6,600 | 11,800 | | 11,200 | 20,600 | 4 | 80×4 | 68.5 | | | | | | 60.5 | |
| | 700 | 546.0 | 4,600 | 7,500 | 14,000 | 11,200 | | | | | | 20,600 | 4 | 80×4 | 68.5 | 60.5 | | |
| | 800 | 624.0 | 4,800 | 9,000 | 17,200 | | 11,200 | 20,600 | 4 | 80×4 | 68.5 | | | | | | 60.5 | |
| | 900 | 702.0 | 4,600 | 10,000 | 18,300 | 11,200 | | | | | | 20,600 | 4 | 80×4 | 68.5 | 60.5 | | |
| 1000 | 780.0 | 11,200 | | 20,600 | 11,200 | | 20,600 | 4 | 80×4 | 68.5 | 60.5 | | | | | | | |
| 直結 フ ァ ン タ イ プ 50 H z | 80 | 62.4 | 4,500 | 2,200 | | 1,450 | | | | | | 2,700 | 1.5 | 8.8 | 2.2 | 15.0 | 2 | 80×2 |
| | 100 | 78.0 | 4,700 | | 2,900 | 4,800 | 15.0 | 2 | 125×1 | 25×1 | 80×1 | 60 | 50 | | | | | |
| | 125 | 97.5 | | | 2,500 | 4,200 | | | | | | | | 3 | | | | 100×2 |
| | 150 | 117.0 | 3,000 | | 4,900 | 4 | 125×2 | 200×1 | 32×1 | 80×1 | 61 | 51 | | | | | | |
| | 175 | 136.5 | 3,300 | | 5,300 | | | | | | | | 5 | 80×4 | | | | 200×1 |
| | 200 | 156.0 | 2,700 | | 4,500 | 6 | 100×4 | 150×2 | 32×1 | 80×2 | 63 | 53.5 | | | | | | |
| | 225 | 175.5 | 3,500 | | 5,500 | | | | | | | | 7 | 125×4 | | | | 200×2 |
| | 250 | 195.0 | 3,900 | | 6,400 | 8 | 100×6 | 150×3 | 32×2 | 80×3 | 64 | 54 | | | | | | |
| | 300 | 234.0 | 4,700 | | 7,700 | | | | | | | | 10 | 125×4 | | | | 200×3 |
| | 350 | 273.0 | 6,000 | | 9,400 | 11 | 125×4 | 200×3 | 32×2 | 80×3 | 65 | 55.5 | | | | | | |
| | 400 | 312.0 | 6,900 | | 10,900 | | | | | | | | 13 | 125×6 | | | | 200×3 |
| | 450 | 351.0 | 6,400 | | 10,300 | 15 | 125×6 | 200×3 | 32×2 | 80×3 | 64.5 | 55 | | | | | | |
| | 500 | 390.0 | 8,100 | | 12,700 | | | | | | | | 18 | 125×8 | | | | 200×4 |
| | 600 | 468.0 | 10,800 | | 16,500 | 19 | 125×8 | 200×4 | 50×2 | 80×4 | 67.5 | 59 | | | | | | |
| | 700 | 546.0 | 11,600 | | 17,700 | | | | | | | | 19 | 125×8 | | | | 200×4 |
| | 800 | 624.0 | 12,000 | | 18,600 | 19 | 125×8 | 200×4 | 50×2 | 80×4 | 68.5 | 60 | | | | | | |
| | 900 | 702.0 | 4,500 | | 1,250 | | | | | | | | 2,400 | 1.5 | | | | 8.5 |
| | 1000 | 780.0 | | | 1,750 | 3,100 | 2.2 | 14.0 | 2 | 125×1 | 25×1 | 80×1 | 59.5 | | | | | |
| | 直結 フ ァ ン タ イ プ 60 H z | 125 | 97.5 | | 4,700 | 2,700 | | | | | | | | 4,300 | | | | 1.5 |
| 150 | | 117.0 | 4,500 | 2,500 | 4,100 | 1.5 | 8.5 | 4 | 150×1 | 25×1 | 80×1 | 61.5 | 51 | | | | | |
| 175 | | 136.5 | | 2,900 | 4,800 | | | | | | | | | 2.2 | 14.0 | 3 | 125×2 | 32×1 |
| 200 | | 156.0 | 3,300 | 5,400 | 5 | 80×4 | 125×2 | 32×1 | 80×2 | 63.5 | 53.5 | | | | | | | |
| 225 | | 175.5 | 4,300 | 6,700 | | | | | | | | 6 | 100×4 | 150×2 | 32×1 | 80×2 | 64 | 53.5 |
| 250 | | 195.0 | 5,000 | 7,600 | 8 | 125×4 | 200×2 | 32×1 | 80×2 | 64.5 | 54.5 | | | | | | | |
| 300 | | 234.0 | 4,700 | 7,300 | | | | | | | | 9 | 150×2 | 32×1 | 80×2 | 66 | 56.5 | |
| 350 | | 273.0 | 5,400 | 8,400 | 10 | 125×4 | 200×2 | 32×2 | 80×3 | 66 | 56.5 | | | | | | | |
| 400 | | 312.0 | 6,000 | 9,200 | | | | | | | | 11 | 100×6 | 150×3 | 32×2 | 80×3 | 67 | 57.5 |
| 450 | | 351.0 | 6,900 | 10,700 | 13 | 125×6 | 200×3 | 32×2 | 80×3 | 67 | 85 | | | | | | | |
| 500 | | 390.0 | 8,100 | 12,200 | | | | | | | | 15 | 100×8 | 200×3 | 32×2 | 80×3 | 67.5 | 59 |
| 600 | | 468.0 | 10,000 | 14,900 | 17 | 125×8 | 200×4 | 50×2 | 80×4 | 67.5 | 59.5 | | | | | | | |
| 700 | | 546.0 | 11,200 | 16,900 | | | | | | | | 19 | 125×8 | 200×4 | 50×2 | 80×4 | 68 | 59.5 |
| 800 | | 624.0 | 12,600 | 18,800 | 22 | 125×10 | 200×4 | 50×2 | 80×4 | 68.5 | 60.5 | | | | | | | |
| 900 | 702.0 | 13,500 | 20,100 | 22 | | | | | | | | 125×10 | 200×4 | 50×2 | 80×4 | 68.5 | 60.5 | |
| 1000 | 780.0 | 13,500 | 20,100 | | 22 | 125×10 | 200×4 | 50×2 | 80×4 | 68.5 | 60.5 | | | | | | | |

注 1. 標準能力は水入口温度37℃、水出口温度32℃、入口空気湿球温度27℃、循環水量13ℓ/min冷却トンのときの除去熱量を示し、1冷却トンは3900kcal/hとします。
 2. 運転音はAレンダで、距離はルーバ横です。

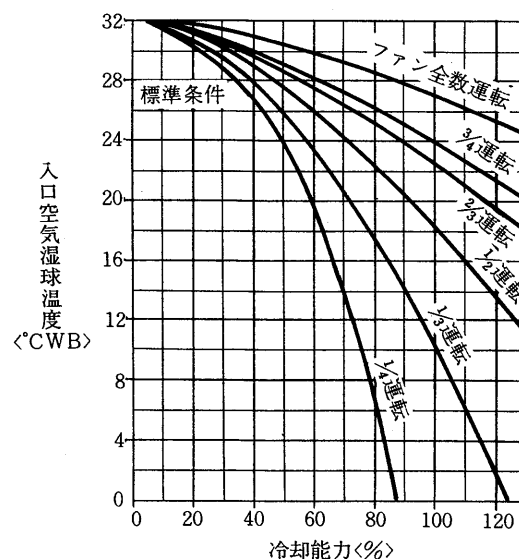
(d)超低騒音II<MQQ型>

| 区分 | 機種 HT-MQQ | 水量 m ³ /h | 外形寸法 | | | 重量 最大時 kg | 三相 電動機200V 50/60Hz | | | 配管サイズ | | | | 運転音 | | | | | | |
|------------------------------|------------------------------|-------------------------|--------|--------|--------|-----------------|--------------------------|-------|----------|---------|-----------|------|------|-------|------|-------|------|------|----|----|
| | | | 幅 | 高さ | 長さ | | 入口 | 出口 | 手動 自動 | 共 排水 | 共 オーバー | 2m | 10m | | | | | | | |
| | | | mm | | | | kW | | | A | | | | ホン | | | | | | |
| 直結 ファン タイプ 50 Hz | 80 | 62.4 | 4,300 | 2,200 | 2,000 | 3,200 | 0.75 | 3.1 | 3 | 80×2 | 100×1 | 20×1 | 80×1 | 56.5 | 45 | | | | | |
| | 100 | 78.0 | | | 3,300 | 4 | | | 125×1 | 58 | 47 | | | | | | | | | |
| | 125 | 97.5 | | | 3,000 | 4,600 | | | 5 | 100×2 | 150×1 | 25×1 | 80×1 | 58.5 | 47 | | | | | |
| | 150 | 117.0 | | | | | | | 60 | | | | | 49 | | | | | | |
| | 175 | 136.5 | | | 3,900 | 5,900 | | | 7 | 80×4 | 100×2 | 25×1 | 80×2 | 60 | 49 | | | | | |
| | 200 | 156.0 | | | 4,000 | 6,100 | | | 8 | | 125×2 | | | 61 | 49 | | | | | |
| | 225 | 175.5 | | | 4,600 | 6,900 | | | 10 | 100×4 | 150×2 | 32×1 | 80×2 | 61.5 | 49.5 | | | | | |
| | 250 | 195.0 | | | 5,000 | 7,300 | | | | | | | | 62.5 | 51 | | | | | |
| | 300 | 234.0 | | | 6,400 | 9,400 | | | 11 | 100×6 | 150×3 | 32×1 | 80×3 | 61.5 | 51 | | | | | |
| | 350 | 273.0 | | | 7,500 | 11,100 | | | 62 | | | | | 51.5 | | | | | | |
| | 400 | 312.0 | | | 8,100 | 11,900 | | | 14 | 100×8 | 125×4 | 32×2 | 80×4 | 62.5 | 52 | | | | | |
| | 450 | 351.0 | | | 9,450 | 13,500 | | | 16 | | | | | | 52.5 | | | | | |
| | 500 | 390.0 | | | 10,800 | 15,400 | | | 18 | 100×10 | 150×4 | 32×2 | 80×4 | 63 | 53 | | | | | |
| | 600 | 468.0 | | | 12,000 | 17,100 | | | 21 | | | | | | 54 | | | | | |
| | 700 | 546.0 | | | 14,500 | 20,300 | | | 25 | 100×12 | 150×5 | 50×2 | 80×5 | 65 | 54.5 | | | | | |
| | 800 | 624.0 | | | 16,200 | 22,800 | | | 28 | | | | | | 55 | | | | | |
| | 900 | 702.0 | | | 18,900 | 26,800 | | | 33 | 100×14 | 150×6 | 50×2 | 80×6 | 65 | 55.5 | | | | | |
| | 1000 | 780.0 | | | 20,300 | 28,500 | | | 35 | | | | | | 56 | | | | | |
| | 直結 ファン タイプ 60 Hz | 80 | | | 62.4 | 4,300 | | | 2,200 | 2,000 | 3,300 | 0.75 | 3.2 | 3 | 80×2 | 100×1 | 20×1 | 80×1 | 57 | 46 |
| | | 100 | | | 78.0 | | | | | 3,700 | 4 | | | 125×1 | 58 | 46.5 | | | | |
| 125 | | 97.5 | 3,300 | 5,000 | 5 | | 80×4 | 150×1 | | 25×1 | 80×1 | | | 59 | 47.5 | | | | | |
| 150 | | 117.0 | | | 60 | | | | | | | | | 48.5 | | | | | | |
| 175 | | 136.5 | 4,000 | 6,100 | 6 | | 125×2 | 25×1 | | 80×2 | 61 | | | 49.5 | | | | | | |
| 200 | | 156.0 | | | 61.5 | | | | | | | | | 50 | | | | | | |
| 225 | | 175.5 | 4,600 | 6,800 | 7 | | 100×4 | 150×2 | | 32×1 | 80×2 | | | 62 | 50.5 | | | | | |
| 250 | | 195.0 | 5,000 | 7,400 | 8 | | | | | | | | | 62.5 | 51 | | | | | |
| 300 | | 234.0 | 5,800 | 8,600 | 10 | | 100×6 | 150×3 | | 32×1 | 80×2 | | | 63.5 | 52.5 | | | | | |
| 350 | | 273.0 | 6,900 | 10,200 | 12 | | | | | | | | | 66 | 55.5 | | | | | |
| 400 | | 312.0 | 8,100 | 11,800 | 13 | | 100×8 | 200×3 | | 32×2 | 80×3 | | | 66.5 | 56 | | | | | |
| 450 | | 351.0 | 9,000 | 13,000 | 14 | | | | | | | | | 63.5 | 54 | | | | | |
| 500 | | 390.0 | 10,000 | 14,300 | 16 | | 125×8 | 200×4 | | 50×2 | 80×4 | | | 64.5 | 55 | | | | | |
| 600 | | 468.0 | 11,600 | 16,800 | 20 | | | | | | | | | 66.5 | 57 | | | | | |
| 700 | | 546.0 | 12,800 | 18,400 | 23 | | 125×10 | 200×4 | | 50×2 | 80×4 | | | 67.5 | 58 | | | | | |
| 800 | | 624.0 | 15,750 | 22,200 | 26 | | | | | | | | | 67 | | | | | | |
| 900 | | 702.0 | 17,400 | 24,600 | 28 | | 100×12 | 200×5 | | 50×2 | 80×5 | | | 67 | 58 | | | | | |
| 1000 | | 780.0 | 17,400 | 24,600 | 31 | | | | | | | | | 66 | 57 | | | | | |

- 注 1. 標準能力は水入口温度37°C,水出口温度32°C,入口空気湿球温度27°C,循環水量13ℓ/min冷却トンのときの除去熱量を示し,1冷却トンは3900kcal/hとします。
2. 運転音はAレンジで,距離はルーバ横です。

●ステップコントロール (BORT~100ORT)
複数ファンタイプ

最近,冷房は年間を通じて,おこなわれることが多くなりました。そこで,夜間および中間期(4~6月,9月~11月)など,冷房負荷の小さなときは,負荷にあわせて,冷凍機の運転気筒を少くしたり,冷媒ガスの送量を,調節して,冷凍能力を調節します。クーリングタワーにおいても,冷凍能力にあわせて,冷却能力をコントロールして,冷凍機凝縮圧力を制御することが好ましく,このような方法をステップコントロールと呼びクーリングタワーの送風機が2台以上あるばあいに,送風機の運転台数を変えて,冷却能力を調整できます。右図表はファン運転台数と冷却能力,入口空気湿球温度の関係を示したものです。



HT-MSA

(3)角形二重効用吸収式〈ガス吸収式冷凍機用〉

(a)標準形〈MSA形〉

| 区分 | 機種 HT-MSA | 水量 m³/h | 外形寸法 | | | 重量 最大時 kg | 三相 電動機200V 50/60Hz | | | 配管サイズ | | | | 運転音 | | | |
|--|--------------|------------|-------|--------|--------|-----------------|--------------------------|-------|-------|--------|-----------|-----------|-------------|-------|------|------|----|
| | | | 幅 | 高さ | 長さ | | kW | A | 台 | 入口 | 出口 | 手動共 自動 | 排水共 オーバー | 2m | 10m | | |
| | | | | | | | | | | | | | | mm | | | |
| 大口径 ファン タイプ 50 / 60 Hz | 110 | 110 | 3,800 | 2,200 | 2,000 | 3,200 | 5.5 | 21/20 | 1 | 100×2 | 150×1 | 25×1 | 80×1 | 68.5 | 59.5 | | |
| | 130 | 130 | 4,100 | | 2,300 | 3,700 | | | | 69 | | | | 60.5 | | | |
| | 150 | 150 | 2,500 | | 4,000 | 71 | | | | 62.5 | | | | | | | |
| | 180 | 180 | 4,300 | | 3,000 | 4,900 | | | | 7.5 | 27.5/26.5 | 150×2 | | 200×1 | 32×1 | 71.5 | 63 |
| | 210 | 210 | 2,500 | | 5,100 | 63.5 | | | | | | | | | | | |
| | 240 | 240 | 4,600 | | 3,000 | 6,100 | | | | | | | | | | 70.5 | 62 |
| | 270 | 270 | 4,800 | 3,200 | 6,700 | 2 | 27.5/26.5 | 150×4 | 200×2 | 32×2 | 80×2 | 71.5 | 63 | | | | |
| | 310 | 310 | 3,500 | 7,500 | 11.0 | | | | | | | 39/39 | 73.5 | 65.5 | | | |
| | 350 | 350 | 4,400 | 8,100 | 5.5 | | | | | | | 21/20 | 71 | 62.5 | | | |
| | 410 | 410 | 4,300 | 4,600 | 8,800 | | | | | | | 7.5 | 27.5/26.5 | 74 | 66 | | |
| | 450 | 450 | 3,200 | 9,600 | 11.0 | | | | | | | 39/39 | 75 | 67.5 | | | |
| | 500 | 500 | 4,100 | 6,000 | 10,700 | | | | | | | 7.5 | 27.5/26.5 | 74 | 66 | | |
| | 550 | 550 | 4,300 | 6,600 | 11,700 | 5.5 | 21/20 | 73 | 65 | | | | | | | | |
| | 610 | 610 | 4,300 | 6,900 | 12,800 | 7.5 | 27.5/26.5 | 74 | 66 | | | | | | | | |
| | 680 | 680 | 8,100 | 14,800 | 11.0 | 39/39 | 150×6 | 200×3 | 50×2 | 80×3 | 75.5 | 68 | | | | | |
| | 750 | 750 | 4,600 | 8,400 | | | | | | | 15,800 | 76 | 68.5 | | | | |
| | 820 | 820 | 4,300 | 9,200 | 16,900 | 7.5 | 27.5/26.5 | 150×8 | 200×4 | 80×4 | 75 | 67.5 | | | | | |
| | 900 | 900 | 4,600 | 10,000 | 18,900 | | | | | | 74 | 66.5 | | | | | |
| 直結 ファン タイプ 50 Hz | 110 | 110 | 4,300 | 2,200 | 2,000 | 3,300 | 2.2 | 9.5 | 3 | 100×2 | 150×1 | 25×1 | 80×1 | 66.5 | 58 | | |
| | 130 | 130 | | | 2,150 | 3,500 | | | | 67.5 | | | | 58.5 | | | |
| | 150 | 150 | | | 2,500 | 3,900 | | | | 68 | | | | 59 | | | |
| | 180 | 180 | | | 3,150 | 4,700 | | | | 125×2 | 200×1 | 32×1 | | 69 | 60 | | |
| | 210 | 210 | | | 3,500 | 5,200 | | | | | | | | 69.5 | 60.5 | | |
| | 240 | 240 | | | 3,900 | 5,900 | | | | | | | | 70 | 61 | | |
| | 270 | 270 | | | 4,300 | 6,500 | | | | 100×4 | 150×2 | 80×2 | 70.5 | 61.5 | | | |
| | 310 | 310 | | | 5,000 | 7,400 | | | | | | | 71 | 62 | | | |
| | 350 | 350 | | | 6,000 | 8,900 | | | | | | | 71.5 | 63 | | | |
| | 410 | 410 | | | 6,900 | 10,200 | | | | 125×4 | 200×2 | 80×3 | 72 | 63.5 | | | |
| | 450 | 450 | | | 7,500 | 10,900 | | | | | | | 72.5 | 64.5 | | | |
| | 500 | 500 | | | 8,400 | 12,300 | | | | | | | 73 | 65 | | | |
| | 550 | 550 | | | 9,000 | 13,100 | | | | 125×6 | 200×3 | 50×2 | 80×4 | 73.5 | 65.5 | | |
| | 610 | 610 | | | 9,450 | 13,500 | | | | | | | | 74 | 66.5 | | |
| | 680 | 680 | | | 10,800 | 15,500 | | | | | | | | 75 | 67 | | |
| | 750 | 750 | | | 11,600 | 16,800 | | | | 150×6 | 200×4 | 80×4 | 76 | 68 | | | |
| | 820 | 820 | | | 12,600 | 18,100 | | | | | | | 77 | 69 | | | |
| | 900 | 900 | | | 12,800 | 18,400 | | | | | | | 77 | 70 | | | |
| 直結 ファン タイプ 60 Hz | 110 | 110 | 4,300 | 2,200 | 1,950 | 3,000 | 2.2 | 10.5 | 4 | 100×2 | 150×1 | 25×1 | 80×1 | 68.5 | 59.5 | | |
| | 130 | 130 | | | 2,000 | 3,200 | | | | 70 | | | | 61.5 | | | |
| | 150 | 150 | | | 3,200 | 4,800 | | | | 125×2 | | | | 200×1 | 32×1 | 70.5 | 62 |
| | 180 | 180 | | | | 4,900 | | | | | 72.5 | 64 | | | | | |
| | 210 | 210 | | | | 3,900 | | | | | 5,900 | 73.5 | | | | 65 | |
| | 240 | 240 | | | 4,300 | 6,500 | | | | 150×2 | 200×2 | 80×2 | | 74 | 65.5 | | |
| | 270 | 270 | | | 5,400 | 7,900 | | | | | | | 75 | 66.5 | | | |
| | 310 | 310 | | | 6,000 | 8,600 | | | | | | | 75.5 | 67 | | | |
| | 350 | 350 | | | 8,800 | 7,050 | | | | 10,500 | 125×4 | 200×3 | 80×3 | 75 | 67.5 | | |
| | 410 | 410 | | | 7,500 | | | | | 11,000 | | | | 76 | 68 | | |
| | 450 | 450 | | | 8,100 | | | | | 11,900 | | | | 76.5 | 68.5 | | |
| | 500 | 500 | | | 9,000 | 13,100 | | | | 150×6 | 200×4 | 50×2 | 80×4 | 77 | 69.5 | | |
| | 550 | 550 | | | 10,000 | 14,400 | | | | | | | | 77 | 70 | | |
| | 610 | 610 | | | 10,800 | 15,500 | | | | | | | | 77 | 70 | | |
| | 680 | 680 | | | 11,600 | 16,600 | | | | 77 | 70 | | | | | | |

注 1. 標準能力は水入口温度37.7℃, 水出口温度32℃, 入口空気湿球温度27℃, 循環水量16.7ℓ/min冷却トンのときの除去熱量を示し, 1冷却トンは570kcal/hとします。

2. 運転音はAレンジで, 距離はルーバ横です。

(b)低騒音<MEA型>

| 区分 | 機種 HT-MEA | 水量 m ³ /h | 外形寸法 | | | 重量 最大時 kg | 三相 電動機200V 50/60Hz | | | 配管サイズ | | | | 運転音 | | | | | | | |
|--|------------------------------|-------------------------|--------|--------|--------|-----------------|--------------------------|-----------|-------|-------|-------|----------|-----------------------|-------|-------|-------|-------|------|------|------|------|
| | | | 幅 | 高さ | 長さ | | kW | A | 台 | 入口 | 出口 | 手動 自動 | 共 排 水 共 ホ | 2m | 10m | | | | | | |
| 大口径 ファン タイプ 50 / 60 Hz | 110 | 110 | 3,800 | 2,200 | 2,300 | 3,600 | 3.7 | 14.5/13.5 | 1 | 100×2 | 150×1 | 25×1 | 80×1 | 67.5 | 58.5 | | | | | | |
| | 130 | 130 | 4,300 | | 2,500 | 4,100 | | | | 80×4 | | | | 67 | 58 | | | | | | |
| | 150 | 150 | 3,500 | | 5,400 | 100×4 | | | | 67.5 | | | | 58.5 | | | | | | | |
| | 180 | 180 | 4,600 | 3,200 | 3,900 | 6,100 | 5.5 | 21/20 | 2 | 150×2 | 200×1 | 32×1 | 80×2 | 68 | 59.5 | | | | | | |
| | 210 | 210 | 3,000 | | 6,000 | 100×4 | | | | 67.5 | | | | 58.5 | | | | | | | |
| | 240 | 240 | 3,800 | | 3,600 | 6,100 | | | | 150×4 | | | | 68 | 58.5 | | | | | | |
| | 270 | 270 | 4,100 | 4,000 | 7,200 | 3.7 | 14.5/13.5 | 2 | 125×4 | 150×2 | 32×2 | 80×2 | 67.5 | 58.5 | | | | | | | |
| | 310 | 310 | 4,100 | 4,000 | 7,400 | | | | 150×4 | | | | 69 | 60 | | | | | | | |
| | 350 | 350 | 4,600 | 5,400 | 10,100 | | | | 5.5 | | | | 21/20 | 3 | 200×2 | 200×2 | 32×2 | 80×3 | 68 | 58.5 | |
| | 410 | 410 | 4,100 | 10,500 | 150×4 | 62.5 | 62 | | | | | | | | | | | | | | |
| | 450 | 450 | 4,100 | 6,600 | 10,400 | 70.5 | 62 | | | | | | | | | | | | | | |
| | 500 | 500 | 4,300 | 7,500 | 13,600 | 3.7 | 14.5/13.5 | 3 | 125×6 | 150×3 | 50×2 | 80×3 | 62.5 | 62.5 | | | | | | | |
| | 550 | 550 | 4,300 | 8,100 | 15,300 | | | | 71.5 | | | | 63.5 | | | | | | | | |
| | 610 | 610 | 4,600 | 8,700 | 16,700 | | | | 150×6 | | | | 70.5 | 62.5 | | | | | | | |
| | 680 | 680 | 4,800 | 8,700 | 16,700 | 5.5 | 21/20 | 4 | 150×6 | 200×3 | 50×2 | 80×3 | 71.5 | 63.5 | | | | | | | |
| | 750 | 750 | 4,800 | 9,450 | 17,900 | | | | | | | | 150×8 | 72.5 | 65 | | | | | | |
| | 820 | 820 | 4,600 | 10,000 | 18,600 | | | | | | | | 200×4 | 72.5 | 65 | | | | | | |
| | 900 | 900 | 4,800 | 10,800 | 20,600 | 1.1 | 4.5 | 4 | 150×8 | 200×4 | 80×4 | 80×4 | 72.5 | 65 | | | | | | | |
| | 直結 ファン タイプ 50 Hz | 110 | 110 | 4,100 | 2,200 | | | | | | | | 2,800 | 4,200 | 4 | 100×2 | 150×1 | 25×1 | 80×1 | 64.5 | 55.5 |
| 130 | | 130 | 2,700 | | | | | | | | | | 4,100 | 5 | | | | | | 66 | 57 |
| 150 | | 150 | 3,500 | | | | | | | | | | 5,300 | 6 | | | | | | 67 | 57.5 |
| 180 | | 180 | 4,300 | | | | | | | | | | 6,100 | 7 | | | | | | 67.5 | 58.5 |
| 210 | | 210 | 4,600 | | | | | | | | | | 6,700 | 8 | | | | | | 68 | 59 |
| 240 | | 240 | 5,400 | | | | | | | | | | 6,800 | 10 | | | | | | 69 | 60 |
| 270 | | 270 | 5,600 | | | | | | | | | | 7,900 | 11 | | | | | | 69.5 | 60.5 |
| 310 | | 310 | 6,900 | | | | | | | | | | 10,000 | 12 | | | | | | 70 | 61 |
| 350 | | 350 | 7,500 | | | | | | | | | | 10,700 | 14 | | | | | | 69.5 | 61.5 |
| 410 | | 410 | 8,100 | | | | | | | | | | 11,400 | 16 | | | | | | 70 | 61.5 |
| 450 | | 450 | 9,000 | | | | | | | | | | 12,700 | 17 | | | | | | 70.5 | 62 |
| 500 | | 500 | 9,600 | | | | | | | | | | 13,400 | 20 | | | | | | 71 | 62.5 |
| 550 | | 550 | 9,600 | | | | | | | | | | 13,400 | 22 | | | | | | 71 | 63 |
| 610 | | 610 | 10,800 | | | | | | | | | | 15,100 | 24 | | | | | | 71.5 | 63.5 |
| 680 | | 680 | 12,600 | | | | | | | | | | 17,500 | 27 | | | | | | 72 | 64 |
| 750 | | 750 | 14,000 | | | | | | | | | | 19,400 | 28 | | | | | | 71.5 | 64 |
| 820 | | 820 | 14,500 | | | | | | | | | | 20,100 | 32 | | | | | | 72 | 64.5 |
| 900 | | 900 | 15,750 | | | | | | | | | | 21,600 | 34 | | | | | | 72 | 64.5 |
| 直結 ファン タイプ 60 Hz | | 110 | 110 | | | 4,700 | 2,200 | 2,500 | 4,100 | 3 | 100×2 | 150×1 | 25×1 | 80×1 | | | | | | 61.5 | 51 |
| | 130 | 130 | 2,900 | 4,800 | 4 | | | 62 | 51.5 | | | | | | | | | | | | |
| | 150 | 150 | 3,200 | 5,200 | 3 | | | 63.5 | 54 | | | | | | | | | | | | |
| | 180 | 180 | 3,500 | 5,600 | 4 | | | 65 | 55.5 | | | | | | | | | | | | |
| | 210 | 210 | 4,300 | 6,700 | 5 | | | 67 | 57.5 | | | | | | | | | | | | |
| | 240 | 240 | 4,700 | 7,600 | 6 | | | 66 | 56.5 | | | | | | | | | | | | |
| | 270 | 270 | 5,000 | 8,700 | 7 | | | 67 | 57.5 | | | | | | | | | | | | |
| | 310 | 310 | 6,400 | 10,100 | 8 | | | 68 | 59 | | | | | | | | | | | | |
| | 350 | 350 | 7,050 | 11,000 | 9 | | | 67 | 58.5 | | | | | | | | | | | | |
| | 410 | 410 | 7,500 | 11,900 | 10 | | | 67.5 | 59 | | | | | | | | | | | | |
| | 450 | 450 | 8,400 | 13,000 | 12 | | | 68.5 | 60 | | | | | | | | | | | | |
| | 500 | 500 | 10,000 | 15,200 | 13 | | | 70 | 62 | | | | | | | | | | | | |
| | 550 | 550 | 10,000 | 15,200 | 14 | | | 70.5 | 62.5 | | | | | | | | | | | | |
| | 610 | 610 | 12,000 | 18,200 | 16 | | | 69.5 | 61.5 | | | | | | | | | | | | |
| | 680 | 680 | 15,000 | 22,400 | 17 | | | 71 | 63.5 | | | | | | | | | | | | |
| | 750 | 750 | 12,000 | 18,200 | 18 | | | 70 | 62 | | | | | | | | | | | | |
| | 820 | 820 | 12,800 | 19,400 | 19 | | | 70 | 62.5 | | | | | | | | | | | | |
| | 900 | 900 | 15,000 | 22,400 | 19 | | | 69.5 | 62.5 | | | | | | | | | | | | |

注 1. 標準能力は水入口温度37.7℃, 水出口温度32℃, 入口空気湿球温度27℃, 循環水量16.7ℓ/min冷却トンのときの除去熱量を示し, 1冷却トンは5700kcal/hとします。

2. 運転音はAレンジで, 距離はルーバ横です。

(c) 超低騒音 I (MQA型)

| 区分 | 機種 HT-MQA | 水量 m³/h | 外形寸法 | | | 重量 最大時 kg | 三相 電動機200V 50/60Hz | | | 配管サイズ | | | | 運転音 | | | | | | |
|----------------------|--------------|------------|-------|--------|--------|-----------------|--------------------------|---------|--------|-------|-------|-----------|--------------|-------|--------|-------|------|------|--------|-------|
| | | | 幅 | 高さ | 長さ | | kW | A | 台 | 入口 | 出口 | 手動共 自動 | 排水共 オーバーバ | 2m | 10m | | | | | |
| | | | | | | | | | | | | | | mm | | | mm | | | |
| 大口径ファンタイプ 50/60Hz | 110 | 110 | 4,100 | 2,200 | 2,500 | 3,900 | 2.2 | 9.8/9.1 | 1 | 100×2 | 150×1 | 25×1 | 80×1 | 64 | 54.5 | | | | | |
| | 130 | 130 | 4,600 | | 2,700 | 4,500 | 3.7 | 16.5/15 | | | | | | 80×4 | 200×1 | 63.5 | 54 | | | |
| | 150 | 150 | | | 3,300 | 5,300 | | | | | | | | 100×4 | | 64 | | | | |
| | 180 | 180 | 4,800 | 3,200 | 4,300 | 7,100 | 2.2 | 9.8/9.1 | 2 | 100×4 | 150×2 | 32×1 | 80×2 | 65.5 | 56 | | | | | |
| | 210 | 210 | 5,100 | | 3,200 | 6,800 | | | | | | | | 150×2 | 65 | | | | | |
| | 240 | 240 | 4,100 | | 4,000 | 7,100 | | | | 125×4 | 200×2 | 32×2 | 80×3 | 65.5 | 55.5 | | | | | |
| | 270 | 270 | 4,300 | | 4,400 | 8,000 | | | | | | | | 150×4 | 66 | | | | | |
| | 310 | 310 | 4,800 | | 4,700 | 8,800 | | | | 150×4 | 150×3 | 80×3 | 67.5 | 58 | | | | | | |
| | 350 | 350 | | | 5,600 | 10,900 | | | | | | | 67 | 56 | | | | | | |
| | 410 | 410 | 4,300 | | 6,300 | 12,100 | | | | 125×6 | 200×3 | 80×3 | 68 | 59 | | | | | | |
| | 450 | 450 | | | 6,600 | 11,800 | | | | | | | 68.5 | 59.5 | | | | | | |
| | 500 | 500 | 4,600 | | 7,500 | 14,000 | | | | 125×6 | 200×3 | 80×3 | 69 | 60 | | | | | | |
| | 550 | 550 | | | 8,400 | 15,700 | | | | | | | 68.5 | | | | | | | |
| | 610 | 610 | 4,800 | | 9,000 | 17,200 | | | | 150×6 | 200×4 | 50×2 | 80×4 | 68 | 59.5 | | | | | |
| | 680 | 680 | | | 10,000 | 18,200 | | | | | | | | 68.5 | 60.5 | | | | | |
| | 750 | 750 | 4,600 | | 11,200 | 20,600 | | | | 125×8 | 200×4 | 50×2 | 80×4 | 69 | 61 | | | | | |
| | 820 | 820 | | | 12,000 | 22,800 | | | | | | | | 69.5 | | | | | | |
| | 900 | 900 | 5,100 | | 12,000 | 23,600 | | | | 150×8 | 69.5 | | | | | | | | | |
| 直結ファンタイプ 50Hz | 110 | 110 | 4,700 | | 2,200 | 2,500 | | | | 4,200 | 2.2 | 15.6 | 3 | 100×2 | 150×1 | 25×1 | 80×1 | 61 | 51 | |
| | 130 | 130 | | | | 3,000 | | | | 4,900 | | | | | | | | 4 | 125×2 | 61.5 |
| | 150 | 150 | | | | 2,700 | | | | 4,500 | | | | 5 | 100×4 | 200×1 | 32×1 | 80×2 | 63 | 53.5 |
| | 180 | 180 | | 3,500 | | 5,500 | 6 | 150×2 | 64 | 54 | | | | | | | | | | |
| | 210 | 210 | | | | 5,600 | 125×4 | 200×2 | 32×2 | 80×3 | | | | 65.5 | 55.5 | | | | | |
| | 240 | 240 | | 4,600 | | 7,300 | | | | | | | | 7 | 67.5 | 55 | | | | |
| | 270 | 270 | | 5,400 | | 8,600 | 8 | 200×2 | 32×2 | 80×3 | | | | 65.5 | 55.5 | | | | | |
| | 310 | 310 | | 6,000 | | 9,500 | | | | | | | | 10 | 57 | | | | | |
| | 350 | 350 | | 6,400 | | 10,300 | 11 | 125×6 | 200×3 | 80×3 | | | | 57.5 | 57 | | | | | |
| | 410 | 410 | | 7,500 | | 11,700 | | | | | | | | 13 | 57 | | | | | |
| | 450 | 450 | | 8,100 | | 12,700 | 15 | 9,600 | 14,700 | 80×3 | | | | 58 | 59.5 | | | | | |
| | 500 | 500 | | 10,800 | | 16,500 | | | | | | | | 16 | 68 | | | | | |
| | 550 | 550 | | 11,600 | | 17,700 | 18 | 125×8 | 200×4 | 50×2 | | | | 80×4 | 68.5 | 60 | | | | |
| | 610 | 610 | | 12,000 | | 18,600 | | | | | | | | | 19 | 68.5 | | | | |
| | 680 | 680 | | 13,500 | | 20,800 | 21 | 150×8 | 200×4 | 50×2 | | | | 80×4 | 69 | 60.5 | | | | |
| | 750 | 750 | | 15,000 | | 22,800 | | | | | | | | | 23 | 68.5 | | | | |
| | 820 | 820 | | 4,500 | | 2,200 | 2,700 | 4,300 | 1.5 | 8.5 | | | | 3 | 100×2 | 150×1 | 25×1 | 80×1 | 61.5 | 51 |
| | 130 | 130 | | | | | 2,500 | 4,100 | | | | | | | | | | | 4 | 100×2 |
| 150 | 150 | 4,700 | 2,900 | | 4,800 | | 2.2 | 14.0 | | | 3 | 125×2 | 63.5 | | 54 | | | | | |
| 180 | 180 | 4,500 | 2,200 | | 4,300 | | 6,700 | 1.5 | | | 8.5 | 5 | 100×4 | | 125×2 | 32×1 | 80×2 | 64 | 53.5 | |
| 210 | 210 | | | | | | 6,800 | | | | | | | | | | | 6 | 150×2 | 65 |
| 240 | 240 | | | | 4,700 | | 7,300 | | | | | | 7 | | 5,400 | 8,200 | 32×2 | 80×3 | 65.5 | 56 |
| 270 | 270 | | | | 5,400 | | 8,200 | | | | | | | | | | | | 8 | 66.5 |
| 310 | 310 | | | | 6,000 | | 9,200 | | | | | | 9 | | 6,000 | 9,200 | 32×2 | 80×3 | 66 | 56.5 |
| 350 | 350 | | | | 6,900 | | 10,700 | | | | | | | | | | | | 11 | 66.5 |
| 410 | 410 | | | | 8,100 | | 12,200 | | | | | | 12 | | 100×6 | 150×3 | 32×2 | 80×3 | 66 | 57.5 |
| 450 | 450 | | | | | | 10,000 | | | | | | | | | | | | 14,900 | 13 |
| 500 | 500 | | | | 10,000 | | 15,000 | | | | | | 15 | | 100×8 | 200×3 | 32×2 | 80×3 | 67.5 | 59 |
| 550 | 550 | | | | 10,800 | | 16,400 | | | | | | | | | | | | 17 | 67.5 |
| 610 | 610 | | | | 10,800 | | 16,400 | | | | | | 18 | | 125×8 | 200×4 | 50×2 | 80×4 | 68 | 60 |
| 680 | 680 | | | | 13,500 | | 20,300 | | | | | | | | | | | | 20 | 68 |
| 750 | 750 | | | | 13,500 | | 20,100 | | | | | | 22 | | 125×10 | 200×4 | 50×2 | 80×4 | 68.5 | 60.5 |
| 820 | 820 | | | | 14,500 | | 21,600 | | | | | | | | | | | | 24 | 69 |
| 900 | 900 | | | | 15,750 | | 23,300 | | | | | | 26 | | 69 | | | | | |

注 1. 標準能力は水入口温度37.7℃, 水出口温度32℃, 入口空気湿球温度27℃, 循環水量16.7ℓ/min冷却トンのときの除去熱量を示し, 1冷却トンは5700kcal/hとします。

2. 運転音はAレンジで, 距離はルーバ横です。

(d)超低騒音II<MQQA型>

| 区分 | 機種 HT-MQQA | 水量 m ³ /h | 外形寸法 | | | 重量 最大時 kg | 三相 電動機200V 50/60Hz | | | 配管サイズ | | | | 運転音 | |
|------------------------------|---------------|-------------------------|-------|-------|--------|-----------------|--------------------------|-----|----|--------|-------|-----------|-------------|------|------|
| | | | 幅 | 高さ | 長さ | | kW | A | 台 | 入口 | 出口 | 手動共 自動 | 排水共 オーバー | 2m | 10m |
| | | | mm | | | kg | | | A | | | | ホン | | |
| 直結 ファン タイプ 50 Hz | 110 | 110 | 4,300 | 2,200 | 3,000 | 4,500 | 0.75 | 3.1 | 6 | 100×2 | 150×1 | 25×1 | 80×1 | 60 | 49 |
| | 130 | 130 | | | 3,900 | 5,900 | | | 7 | 80×4 | 100×2 | | 80×2 | 60 | 49 |
| | 150 | 150 | | | 4,000 | 6,100 | | | 10 | 100×4 | 125×2 | | 32×1 | 80×2 | 61 |
| | 180 | 180 | | | 5,000 | 7,300 | | | 11 | | 150×2 | 62.5 | | 51 | |
| | 210 | 210 | | | 6,400 | 9,400 | | | 12 | 80×6 | 150×3 | 80×3 | 61.5 | 51 | |
| | 240 | 240 | | | 6,900 | 10,200 | | | 13 | 100×6 | | | 62 | 51 | |
| | 270 | 270 | | | 7,500 | 11,100 | | | 15 | 100×8 | | | 62.5 | 51.5 | |
| | 310 | 310 | | | 8,700 | 12,700 | | | 18 | | 125×4 | 62.5 | 52.5 | | |
| | 350 | 350 | | | 10,800 | 15,400 | | | 20 | 150×4 | 80×4 | 32×2 | 63.5 | 54 | |
| | 410 | 410 | | | 11,600 | 16,600 | | | 21 | | | | 54 | | |
| | 450 | 450 | | | 12,000 | 17,100 | | | 25 | | | | 100×10 | 63 | 54.5 |
| | 500 | 500 | | | 14,500 | 20,300 | | | 27 | 100×12 | 150×5 | 80×5 | 55 | | |
| | 550 | 550 | | | 15,750 | 22,000 | | | 30 | | | | 55.5 | | |
| | 610 | 610 | | | 17,400 | 24,000 | | | 33 | 100×14 | 150×6 | 50×2 | 80×6 | 65 | 55.5 |
| | 680 | 680 | | | 18,900 | 26,600 | | | 35 | | | | 65 | 56 | |
| | 750 | 750 | | | 20,300 | 28,500 | | | 39 | 100×16 | 150×7 | 80×7 | 64 | 56.5 | |
| | 820 | 820 | | | 22,400 | 31,300 | | | 42 | | | | 56.5 | | |
| | 900 | 900 | | | 24,000 | 33,800 | | | | | | | | | |
| 直結 ファン タイプ 60 Hz | 110 | 110 | 4,300 | 2,200 | 3,300 | 5,000 | 0.75 | 3.2 | 5 | 80×4 | 150×1 | 25×1 | 80×1 | 60 | 48.5 |
| | 130 | 130 | | | 4,000 | 6,100 | | | 6 | | 61 | | 49.5 | | |
| | 150 | 150 | | | 4,000 | 6,100 | | | 8 | 125×2 | 80×2 | 61.5 | 50 | | |
| | 180 | 180 | | | 4,600 | 6,800 | | | 9 | | | 100×4 | 150×2 | 32×1 | 62.5 |
| | 210 | 210 | | | 5,000 | 7,300 | | | 11 | 150×2 | 32×1 | 63.5 | 52 | | |
| | 240 | 240 | | | 5,800 | 8,600 | | | 12 | | | 63 | 52.5 | | |
| | 270 | 270 | | | 6,900 | 10,200 | | | 14 | 100×6 | 150×3 | 80×3 | 63 | 52.5 | |
| | 310 | 310 | | | 7,050 | 10,500 | | | 16 | | | | 63.5 | 53.5 | |
| | 350 | 350 | | | 9,000 | 13,000 | | | 18 | 100×8 | 200×3 | 32×2 | 63.5 | 54 | |
| | 410 | 410 | | | 10,000 | 14,400 | | | 20 | | | | 64 | 54.5 | |
| | 450 | 450 | | | 11,600 | 16,800 | | | 23 | 150×4 | 80×4 | 64.5 | 55 | | |
| | 500 | 500 | | | 12,600 | 18,100 | | | 25 | | | 125×8 | 200×4 | 65 | 55.5 |
| | 550 | 550 | | | 13,500 | 19,200 | | | 27 | 100×10 | 200×4 | 50×2 | 80×5 | 65 | 56 |
| | 610 | 610 | | | 16,200 | 23,300 | | | 29 | | | | 65.5 | 57.5 | |
| | 680 | 680 | | | 17,400 | 24,600 | | | 31 | 100×12 | 150×5 | 80×5 | 65.5 | 56.5 | |
| | 750 | 750 | | | 17,400 | 24,600 | | | 36 | | | | 200×5 | 66 | 57 |
| | 820 | 820 | | | 18,000 | 25,700 | | | 39 | 125×12 | | | 66.5 | 58 | |
| | 900 | 900 | | | 19,200 | 27,200 | | | | | | | | | |

注 1. 標準能力は水入口温度37℃、水出口温度32℃、入口空気湿球温度27℃、循環水量16.7ℓ/min冷却トンのときの除去熱量を示し、1冷却トンは5700kcal/hとします。
 2. 運転音はAレンジで、距離はルーバ横です。

各地の湿球温度<午後3時の月平均最高>

| | | | | | | | | | | | |
|----|------|----|------|-----|------|-----|------|----|------|-----|------|
| 函館 | 20.7 | 盛岡 | 21.6 | 水戸 | 23.4 | 甲府 | 23.9 | 舞鶴 | 24.9 | 徳島 | 25.3 |
| 室蘭 | 19.3 | 秋田 | 22.8 | 宇都宮 | 23.5 | 岐阜 | 24.8 | 姫路 | 24.2 | 高知 | 25.4 |
| 札幌 | 20.0 | 仙台 | 22.3 | 前橋 | 23.5 | 静岡 | 24.7 | 鳥取 | 24.1 | 福岡 | 24.8 |
| 小樽 | 20.0 | 山形 | 22.4 | 新潟 | 23.3 | 浜松 | 24.6 | 松江 | 24.2 | 佐賀 | 25.3 |
| 帯広 | 19.4 | 福島 | 23.0 | 高田 | 23.8 | 名古屋 | 24.5 | 浜田 | 24.2 | 大分 | 24.8 |
| 旭川 | 19.6 | 若松 | 22.7 | 富山 | 23.9 | 大阪 | 24.3 | 下関 | 24.3 | 熊本 | 25.2 |
| 釧路 | 17.1 | 東京 | 24.2 | 金沢 | 24.3 | 京都 | 24.2 | 広島 | 24.4 | 長崎 | 24.9 |
| 網走 | 17.1 | 横浜 | 24.4 | 福井 | 24.0 | 奈良 | 24.4 | 岡山 | 24.5 | 宮崎 | 25.7 |
| 青森 | 21.7 | 銚子 | 23.6 | 長野 | 23.2 | 和歌山 | 24.5 | 高松 | 24.9 | 鹿児島 | 25.5 |
| 八戸 | 20.9 | 熊谷 | 24.3 | 松本 | 21.8 | 津 | 24.9 | 松山 | 24.5 | | |

HT-MSB

(4)角形一重効用吸収式<ガス吸収式冷凍機用>

(a)標準形<MSB型>

| 区分 | 機種 HT-MSB | 水量 m ³ /h | 外形寸法 | | | 重量 最大時 kg | 三相 電動機200V 50/60Hz | | | 配管サイズ | | | | 運転音 | | | | | | | |
|----------------------|------------------|-------------------------|--------|--------|--------|-----------------|--------------------------|-----------|-------|-------|-------|-----------|-------------|-------|-------|-------|-------|------|------|------|-------|
| | | | 幅 | 高さ | 長さ | | kW | A | 台 | 入口 | 出口 | 手動共 自動 | 排水共 オーバー | 2m | 10m | | | | | | |
| | | mm | | | kg | | | kW | | | A | | | | ホン | | | | | | |
| 大口径ファンタイプ 50/60Hz | 130 | 124.0 | 4,300 | 2,200 | 2,800 | 4,600 | 5.5 | 21/20 | 1 | 125×2 | 200×1 | 32×1 | 80×1 | 70.5 | 62 | | | | | | |
| | 157 | 148.0 | | | 3,000 | 4,900 | 7.5 | 27.5/26.5 | | | | | | 71.5 | 63 | | | | | | |
| | 180 | 171.0 | | | 2,700 | 5,500 | 11.0 | 39/39 | | 150×2 | | | | 72.5 | 64 | | | | | | |
| | 210 | 200.0 | | | 3,000 | 6,200 | | | | | | | | 73 | 65 | | | | | | |
| | 245 | 233.0 | 4,800 | 3,300 | 7,200 | 2 | 125×4 | 200×2 | 32×2 | 80×2 | 72.5 | 64.5 | | | | | | | | | |
| | 280 | 266.0 | 4,100 | 4,300 | 7,800 | | | | | | 5.5 | 21/20 | 70.5 | 62 | | | | | | | |
| | 310 | 295.0 | 4,300 | 4,400 | 8,100 | | 11.0 | | | | 39/39 | 150×4 | 71 | 62.5 | | | | | | | |
| | 360 | 342.0 | | 5,000 | 9,600 | | | | | | | | 75 | 67.5 | | | | | | | |
| | 410 | 390.0 | 4,100 | 3,200 | 6,000 | 10,500 | 7.5 | 27.5/26.5 | 3 | 125×6 | 200×3 | 50×2 | 80×3 | 73.5 | 65.5 | | | | | | |
| | 480 | 456.0 | 6,900 | | 12,800 | 75 | | | | | | | | 67.5 | | | | | | | |
| | 540 | 513.0 | 4,300 | | 7,500 | 13,800 | | | | 11.0 | | | | 39/39 | 150×6 | 75.5 | 68 | | | | |
| | 570 | 542.0 | | | 8,100 | 14,800 | | | | | | | | | | 76 | 68.5 | | | | |
| | 600 | 570.0 | 4,600 | 8,400 | 15,800 | 7.5 | 27.5/26.5 | 4 | 150×8 | 200×4 | 80×4 | 75 | 67.5 | | | | | | | | |
| | 660 | 627.0 | 4,300 | 9,200 | 16,900 | | | | | | | 74 | 66.5 | | | | | | | | |
| | 720 | 684.0 | 4,600 | 10,000 | 18,900 | | | | | | | | | | | | | | | | |
| | 直結ファンタイプ 50Hz | 130 | 124.0 | 4,300 | 2,200 | | | | 3,000 | | | 4,600 | 2.2 | 9.5 | 5 | 125×2 | 200×1 | 32×1 | 80×1 | 69 | 60 |
| 157 | | 148.0 | 3,150 | | | 4,700 | 6 | 100×4 | 150×2 | 80×2 | 70 | 61 | | | | | | | | | |
| 180 | | 171.0 | 3,900 | | | 5,900 | | | | | 7 | 125×4 | | | | 200×2 | 80×2 | 70.5 | 61.5 | | |
| 210 | | 200.0 | 4,300 | | | 6,500 | 8 | 125×4 | 200×2 | 80×2 | | | | | | | | 71 | 62 | | |
| 245 | | 233.0 | 5,000 | | | 7,300 | | | | | 9 | 125×4 | | | | 200×2 | 80×2 | 71.5 | 62.5 | | |
| 280 | | 266.0 | 5,600 | | | 8,100 | 10 | 125×4 | 200×2 | 80×2 | | | | | | | | 72 | 63 | | |
| 310 | | 295.0 | 6,000 | | | 8,900 | | | | | 12 | 125×6 | | | | 200×3 | 80×3 | 72.5 | 64 | | |
| 360 | | 342.0 | 7,500 | | | 10,900 | 14 | 125×6 | 200×3 | 80×3 | | | | | | | | 73 | 65.5 | | |
| 410 | | 390.0 | 11,100 | | | 11,100 | | | | | 16 | 125×6 | | | | 200×3 | 80×3 | 73.5 | 66 | | |
| 480 | | 456.0 | 9,600 | | | 13,800 | 19 | 125×8 | 200×4 | 80×4 | | | | | | | | 74 | 66.5 | | |
| 540 | | 513.0 | 10,800 | | | 15,500 | | | | | 21 | 125×8 | | | | 200×4 | 80×4 | 74 | 66.5 | | |
| 570 | | 542.0 | 11,600 | | | 16,800 | 23 | 150×8 | 200×4 | 80×4 | | | | | | | | 73.5 | 66 | | |
| 600 | | 570.0 | 12,600 | | | 18,100 | | | | | 26 | 150×8 | | | | 200×4 | 80×4 | 74 | 66.5 | | |
| 660 | | 627.0 | 12,800 | | | 18,400 | | | | | | | | | | | | | | | |
| 直結ファンタイプ 60Hz | | 130 | 124.0 | | | 4,300 | 2,200 | 2,500 | 3,900 | 2.2 | 10.5 | 4 | | | | 125×2 | 200×1 | 32×1 | 80×1 | 71.5 | 63 |
| | | 157 | 148.0 | | | | | 3,200 | 4,900 | | | | | | | | | | | 5 | 100×4 |
| | 180 | 171.0 | 3,500 | 5,200 | 6 | | | 100×4 | 32×1 | | | | 80×1 | 73 | 64.5 | | | | | | |
| | 210 | 200.0 | 5,300 | 5,300 | | | | | | | | | | 7 | 125×4 | 200×2 | 80×2 | 74 | 65.5 | | |
| | 245 | 233.0 | 4,300 | 6,400 | 8 | | | 125×4 | 200×2 | | | | 80×2 | | | | | 74.5 | 66 | | |
| | 280 | 266.0 | 4,700 | 7,000 | | | | | | | | | | 9 | 125×4 | 200×2 | 80×2 | 75 | 66.5 | | |
| | 310 | 295.0 | 5,400 | 7,900 | 11 | | | 150×4 | 200×3 | | | | 80×3 | | | | | 75.5 | 67.5 | | |
| | 360 | 342.0 | 6,000 | 8,800 | | | | | | | | | | 12 | 125×6 | 200×3 | 80×3 | 76 | 68.5 | | |
| | 410 | 390.0 | 7,050 | 10,500 | 14 | | | 125×6 | 200×3 | | | | 80×3 | | | | | 76.5 | 69 | | |
| | 480 | 456.0 | 8,400 | 12,200 | | | | | | | | | | 17 | 150×6 | 200×3 | 80×3 | 77 | 70 | | |
| | 540 | 513.0 | 9,000 | 13,100 | 19 | | | 125×8 | 200×4 | | | | 80×4 | | | | | 77 | 70 | | |
| | 570 | 542.0 | 10,000 | 14,400 | | | | | | | | | | 20 | 150×8 | 200×4 | 80×4 | 77 | 70 | | |
| | 600 | 570.0 | 10,800 | 15,500 | 22 | | | 150×8 | 200×4 | | | | 80×4 | | | | | 77 | 70 | | |
| | 660 | 627.0 | 11,600 | 16,600 | | | | | | | | | | | | | | | | | |
| | 720 | 684.0 | | | | | | | | | | | | | | | | | | | |

- 注 1. 標準能力は水入口温度40℃、水出口温度32℃、入口空気湿球温度27℃、循環水量15.8ℓ/min冷却トンのときの除去熱量を示し、1冷却トンは7600kcal/hとします。
2. 運転音はAレンジで、距離はルーバ横です。

(b)低騒音<MEB型>

| 区分 | 機種 HT-MEB | 水量 m ³ /h | 外形寸法 | | | 重量 最大時 kg | 三相 電動機200V 50/60Hz | | | 配管サイズ | | | | 運転音 | | | |
|----------------------|--------------|-------------------------|--------|--------|--------|-----------------|--------------------------|-------|-------|-------|--------|----------|------------|------|------|------|------|
| | | | 幅 | 高さ | 長さ | | kW | A | 台 | 入口 | 出口 | 手動 自動 | 排水 オーバー | 2m | 10m | | |
| | | | | | | | | | | | | | | | | mm | |
| 大口径ファンタイプ 50/60Hz | 130 | 124.0 | 4,600 | 2,200 | 3,150 | 5,100 | 5.5 | 21/20 | 1 | 125×2 | 200×1 | 32×1 | 80×1 | 67 | 58 | | |
| | 157 | 148.0 | | | 3,900 | 6,100 | | | | 100×4 | | | | 67.5 | 58.5 | | |
| | 180 | 171.0 | 4,800 | 2,900 | 150×2 | | 67 | | | | | | | | | | |
| | 210 | 200.0 | 3,800 | 3,600 | 100×4 | 69 | 60 | | | | | | | | | | |
| | 245 | 233.0 | 4,100 | 4,000 | 7,300 | 3.7 | 14.5/13.5 | 2 | 125×4 | 200×2 | 32×2 | 80×2 | 68.5 | 59.5 | | | |
| | 280 | 266.0 | 4,300 | 4,600 | 8,500 | | | | | | | | 69 | 60 | | | |
| | 310 | 295.0 | 4,600 | 5,400 | 10,100 | 5.5 | 21/20 | 3 | 125×6 | 150×3 | 50×2 | 80×3 | 68 | 58.5 | | | |
| | 360 | 342.0 | 4,100 | 6,000 | 10,400 | 3.7 | 14.5/13.5 | | | | | | 70.5 | 62.5 | | | |
| | 410 | 390.0 | 4,300 | 6,900 | 12,600 | 5.5 | 21/20 | 4 | 150×6 | 200×3 | 50×2 | 80×3 | 62 | | | | |
| | 480 | 456.0 | 4,600 | 7,500 | 14,300 | | | | | | | | 71 | 63 | | | |
| | 540 | 513.0 | 4,800 | 3,200 | 8,700 | 16,200 | 5.5 | 21/20 | 3 | 150×6 | 200×3 | 50×2 | 80×3 | 71.5 | 63.5 | | |
| | 570 | 542.0 | | | 8,700 | 16,700 | | | | | | | | 72.5 | 65 | | |
| | 600 | 570.0 | 4,600 | 10,000 | 18,600 | 5.5 | 21/20 | 4 | 150×8 | 200×4 | 50×2 | 80×4 | 72.5 | 65 | | | |
| | 660 | 627.0 | 4,600 | 10,000 | 18,600 | | | | | | | | | | | | |
| 720 | 684.0 | 4,800 | 10,800 | 20,600 | | | | | | | | | | | | | |
| 直結ファンタイプ 50Hz | 130 | 124.0 | 4,100 | 2,200 | 4,000 | 6,000 | 1.1 | 4.5 | 6 | 80×4 | 125×2 | 32×1 | 80×2 | 67 | 58 | | |
| | 157 | 148.0 | | | 3,500 | 5,300 | | | | 7 | | | | 67.5 | 58.5 | | |
| | 180 | 171.0 | | | 4,600 | 6,700 | | | | 9 | 100×4 | 150×2 | 68.5 | 59.5 | | | |
| | 210 | 200.0 | | | 4,700 | 6,800 | | | | 10 | | | 69 | 60 | | | |
| | 245 | 233.0 | | | 5,400 | 7,700 | | | | 12 | 125×4 | 200×2 | 70 | 61 | | | |
| | 280 | 266.0 | | | 6,000 | 8,600 | | | | 13 | | | 69.5 | 60.5 | | | |
| | 310 | 295.0 | | | 6,900 | 10,000 | | | | 14 | 100×6 | 150×3 | 32×2 | 80×3 | 70.5 | 62 | |
| | 360 | 342.0 | | | 8,100 | 11,400 | | | | 17 | 125×6 | 200×3 | | | 62.5 | | |
| | 410 | 390.0 | | | 8,700 | 12,200 | | | | 20 | | | | | 62.5 | | |
| | 480 | 456.0 | | | 10,800 | 15,100 | | | | 23 | | | | | 71 | 63 | |
| | 540 | 513.0 | | | 12,000 | 16,600 | | | | 26 | 125×8 | | | | 63.5 | | |
| | 570 | 542.0 | | | 12,600 | 17,500 | | | | 27 | | | | | 72 | 64 | |
| | 600 | 570.0 | | | 14,000 | 19,400 | | | | 28 | | | | | 71.5 | 64 | |
| | 660 | 627.0 | | | 14,500 | 20,100 | | | | 32 | 125×10 | | | | 72 | 64.5 | |
| 720 | 684.0 | 15,750 | 21,600 | 34 | | | | | | | | | | | | | |
| 直結ファンタイプ 60Hz | 130 | 124.0 | 4,700 | 2,200 | 2,700 | 4,500 | 2.2 | 14.0 | 4 | 125×2 | 200×1 | 32×1 | 80×1 | 66.5 | 57.5 | | |
| | 157 | 148.0 | | | 3,200 | 5,200 | | | | 4 | | | | 65 | 55.5 | | |
| | 180 | 171.0 | | | 3,500 | 5,300 | | | | 5 | 100×4 | 150×2 | 66.5 | 57 | | | |
| | 210 | 200.0 | | | 3,900 | 6,400 | | | | 6 | | | 68.5 | 59.5 | | | |
| | 245 | 233.0 | | | 5,600 | 8,700 | | | | 6 | | | 67 | 57.5 | | | |
| | 280 | 266.0 | | | 5,400 | 8,400 | | | | 8 | 125×4 | 200×2 | 32×2 | 80×2 | 68.5 | 60 | |
| | 310 | 295.0 | | | 6,400 | 10,100 | | | | 8 | | | | | 67 | 58.5 | |
| | 360 | 342.0 | | | 7,050 | 11,200 | | | | 10 | | | | | 68.5 | 60 | |
| | 410 | 390.0 | | | 8,100 | 12,600 | | | | 11 | 125×6 | 200×3 | | 80×3 | 69 | 60.5 | |
| | 480 | 456.0 | | | 9,450 | 14,400 | | | | 13 | | | | | 69.5 | 61.5 | |
| | 540 | 513.0 | | | 10,800 | 16,500 | | | | 15 | | | | | 80×4 | 69.5 | 61.5 |
| | 570 | 542.0 | | | 10,000 | 15,300 | | | | 16 | 125×8 | 200×3 | | 80×3 | 71 | 63.5 | |
| | 600 | 570.0 | | | 12,000 | 18,200 | | | | 17 | | | | | 50×2 | 70 | 62 |
| | 660 | 627.0 | | | 12,800 | 19,400 | | | | 18 | 150×8 | 200×4 | | 80×4 | 70 | 62.5 | |
| 720 | 684.0 | 15,000 | 22,400 | 19 | 125×10 | | | | 69.5 | 62.5 | | | | | | | |

- 注 1. 標準能力は水入口温度40℃、水出口温度32℃、入口空気湿球温度27℃、循環水量15.8ℓ/min冷却トンのときの除去熱量を示し、1冷却トンは7600kcal/hとします。
2. 運転音はAレンジで、距離はルーバ横です。

(c)超低騒音 I (MQB型)

| 区分 | 機種 HT-MQB | 水量 m³/h | 外形寸法 | | | 重量 最大時 kg | 三相 電動機200V 50/60Hz | | | 配管サイズ | | | | 運転音 | | | |
|--|--------------|------------|--------|--------|--------|-----------------|--------------------------|-----------|-----------|-------------|---------|-------|-------|-------|-------|-------|----|
| | | | 幅 | 高さ | 長さ | | 入口 | 出口 | 手動共 自動 | 排水共 オーバー | 2m | 10m | | | | | |
| | | | mm | | | | kW | A | 台 | A | | | | ホン | | | |
| 大口径 ファン タイプ 50 / 60 Hz | 130 | 124.0 | 4,800 | 2,200 | 3,900 | 6,500 | 3.7 | 16.5/15 | 1 | 80×4 | 125×2 | 32×1 | 80×2 | 64 | 54.5 | | |
| | 157 | 148.0 | | | 4,300 | 7,100 | | | | 65.5 | 56 | | | | | | |
| | 180 | 171.0 | 3,200 | 3,400 | 5,800 | 7,300 | | 14.5/13.5 | | 100×4 | 200×1 | 80×1 | 66.5 | 57 | | | |
| | 210 | 200.0 | | | | | | | | | 4,100 | | | | 4,000 | 7,300 | |
| | 245 | 233.0 | | | | | | 4,300 | 4,600 | 8,500 | 2 | 125×4 | 150×2 | 32×2 | 80×2 | 66.5 | 56 |
| | 280 | 266.0 | | | | | | 4,600 | 5,000 | 9,500 | | | | | | | |
| | 310 | 295.0 | | | | | | 4,800 | 5,600 | 10,900 | 3 | 125×6 | 200×2 | 80×2 | 66.5 | 56 | |
| | 360 | 342.0 | | | | | | 4,300 | 6,600 | 11,800 | | | | | | | |
| | 410 | 390.0 | | | | | | 4,600 | 7,500 | 14,200 | 16.5/15 | 4 | 125×8 | 200×3 | 80×3 | 67.5 | 59 |
| | 480 | 456.0 | | | | | | 4,800 | 9,000 | 17,200 | | | | | | | |
| | 540 | 513.0 | | | | | | 4,600 | 10,000 | 18,300 | 18,200 | 150×8 | 200×4 | 50×2 | 80×4 | 67.5 | 59 |
| | 570 | 542.0 | | | | | | | | | | | | | | | |
| | 600 | 570.0 | | | | | | 4,800 | 12,000 | 22,800 | 4 | 150×8 | 200×4 | 80×4 | 68.5 | 60.5 | |
| | 660 | 627.0 | | | | | | 5,100 | 12,000 | 22,800 | | | | | | | |
| 720 | 684.0 | 5,100 | 12,000 | 23,600 | | | | | | 69.5 | 61 | | | | | | |
| 直結 ファン タイプ 50 Hz | 130 | 124.0 | 4,700 | 2,200 | 3,300 | 5,300 | 2.2 | 15.0 | 4 | 80×4 | 200×1 | 32×1 | 80×1 | 62.5 | 52 | | |
| | 157 | 148.0 | | | 3,500 | 5,500 | | | | 64 | 54 | | | | | | |
| | 180 | 171.0 | | | 3,900 | 6,400 | | | | 7 | 100×4 | 150×2 | 80×2 | 65 | 55.5 | | |
| | 210 | 200.0 | | | 4,700 | 7,700 | | | | | | | | | | | |
| | 245 | 233.0 | | | 6,000 | 9,400 | | | | 8 | 100×6 | 150×3 | 32×2 | 80×3 | 64.5 | 54.5 | |
| | 280 | 266.0 | | | 6,900 | 10,900 | | | | | | | | | | | |
| | 310 | 295.0 | | | 6,400 | 10,300 | | | | 10 | 125×4 | 200×3 | 80×3 | 66.5 | 57 | | |
| | 360 | 342.0 | | | 8,100 | 12,700 | | | | | | | | | | | |
| | 410 | 390.0 | | | 8,400 | 13,100 | | | | 11 | 125×6 | 200×3 | 80×3 | 67.5 | 58.5 | | |
| | 480 | 456.0 | | | 10,800 | 16,500 | | | | | | | | | | | |
| | 540 | 513.0 | | | 11,600 | 17,700 | | | | 18 | 125×8 | 200×4 | 50×2 | 80×4 | 68 | 60 | |
| | 570 | 542.0 | | | 12,000 | 18,600 | | | | | | | | | | | |
| | 600 | 570.0 | | | 13,500 | 20,800 | | | | 21 | 150×8 | 200×4 | 50×2 | 80×4 | 68.5 | 60.5 | |
| | 660 | 627.0 | | | 15,000 | 22,800 | | | | | | | | | | | |
| 720 | 684.0 | 15,000 | 22,800 | | | | | | 68.5 | 60.5 | | | | | | | |
| 直結 ファン タイプ 60 Hz | 130 | 124.0 | 4,500 | 2,200 | 3,300 | 5,400 | 1.5 | 8.5 | 5 | 80×4 | 125×2 | 32×1 | 80×2 | 64 | 54 | | |
| | 157 | 148.0 | | | 4,300 | 6,700 | | | | 64.5 | 53.5 | | | | | | |
| | 180 | 171.0 | | | 5,000 | 7,600 | | | | 8 | 100×4 | 150×2 | 80×2 | 66 | 56.5 | | |
| | 210 | 200.0 | | | 4,700 | 7,300 | | | | | | | | | | | |
| | 245 | 233.0 | | | 5,400 | 8,400 | | | | 9 | 125×4 | 200×2 | 32×2 | 80×3 | 66 | 56.5 | |
| | 280 | 266.0 | | | 6,000 | 9,200 | | | | | | | | | | | |
| | 310 | 295.0 | | | 6,900 | 10,700 | | | | 11 | 100×6 | 150×3 | 80×3 | 66.5 | 57.5 | | |
| | 360 | 342.0 | | | 8,100 | 12,200 | | | | | | | | | | | |
| | 410 | 390.0 | | | 9,000 | 13,500 | | | | 13 | 125×6 | 200×3 | 80×3 | 67 | 58 | | |
| | 480 | 456.0 | | | 11,200 | 16,900 | | | | | | | | | | | |
| | 540 | 513.0 | | | 12,600 | 18,800 | | | | 17 | 125×8 | 200×4 | 50×2 | 80×4 | 67.5 | 59.5 | |
| | 570 | 542.0 | | | 13,500 | 20,300 | | | | | | | | | | | |
| | 600 | 570.0 | | | 14,500 | 21,600 | | | | 20 | 125×10 | 200×4 | 50×2 | 80×4 | 68 | 60 | |
| | 660 | 627.0 | | | 15,750 | 23,300 | | | | | | | | | | | |
| 720 | 684.0 | 15,750 | 23,300 | | | | | | 68.5 | 60.5 | | | | | | | |
| | | | | | | | | | | 69 | 61 | | | | | | |

- 注 1. 標準能力は水入口温度40℃、水出口温度32℃、入口空気湿球温度27℃、循環水量15.8ℓ/min冷却トンのときの除去熱量を示し、1冷却トンは7600kcal/hとします。
2. 運転音はAレンジで、距離はルーバ横です。

(d)超低騒音 II<MQQB型>

| 区分 | 機種 HT-MQQB | 水量 m ³ /h | 外形寸法 | | | 重量 最大時 kg | 三相 電動機200V 50/60Hz | | | 配管サイズ | | | | 運転音 | |
|------------------|---------------|-------------------------|-------|-------|--------|-----------------|--------------------------|-----|----|--------|-------|-----------|-------------|------|------|
| | | | 幅 | 高さ | 長さ | | kW | A | 台 | 入口 | 出口 | 手動共 自動 | 排水共 オーバー | 2m | 10m |
| | | | | | | | | | | | | | | | |
| 直結ファンタイプ 50Hz | 130 | 124.0 | 4,300 | 2,200 | 4,600 | 6,900 | 0.75 | 3.1 | 8 | 80×4 | 125×2 | 32×1 | 80×2 | 61.5 | 50 |
| | 157 | 148.0 | | | 5,000 | 7,300 | | | 10 | 100×4 | 150×2 | | | 62.5 | 51 |
| | 180 | 171.0 | | | 6,400 | 9,400 | | | 11 | | 61.5 | | | 51 | |
| | 210 | 200.0 | | | 7,500 | 11,100 | | | 13 | 100×6 | 150×3 | 80×3 | 62 | 51.5 | |
| | 245 | 233.0 | | | 8,100 | 11,900 | | | 14 | | | | 62.5 | 52.5 | |
| | 280 | 266.0 | | | 9,450 | 13,500 | | | 16 | | | | 63 | 54 | |
| | 310 | 295.0 | | | 10,800 | 15,400 | | | 18 | 100×8 | 125×4 | 32×2 | 80×4 | 63.5 | 54.5 |
| | 360 | 342.0 | | | 12,000 | 17,100 | | | 21 | | | | | 63 | 54 |
| | 410 | 390.0 | | | 14,000 | 19,700 | | | 24 | | | | | 63.5 | 54.5 |
| | 480 | 456.0 | | | 16,200 | 22,800 | | | 28 | 100×10 | 150×4 | 50×2 | 80×5 | 63 | 55 |
| | 540 | 513.0 | | | 18,900 | 26,800 | | | 33 | | | | | 65 | 57.5 |
| | 570 | 542.0 | | | 20,300 | 28,500 | | | 35 | | | | | 65 | 56 |
| | 600 | 570.0 | | | 22,400 | 31,300 | | | 39 | 100×14 | 150×6 | 80×6 | 80×6 | 64 | 56 |
| | 660 | 627.0 | | | 24,000 | 33,800 | | | 42 | | | | | 64 | 56 |
| | 720 | 684.0 | | | | | | | | | | | | | |
| 直結ファンタイプ 60Hz | 130 | 124.0 | 4,300 | 2,200 | 4,000 | 6,100 | 0.75 | 3.2 | 7 | 80×4 | 125×2 | 32×1 | 80×2 | 62 | 50.5 |
| | 157 | 148.0 | | | 4,600 | 6,800 | | | 8 | 100×4 | 150×2 | | | 62.5 | 51 |
| | 180 | 171.0 | | | 5,000 | 7,400 | | | 10 | | 63.5 | | | 52.5 | |
| | 210 | 200.0 | | | 5,800 | 8,600 | | | 12 | 100×6 | 150×3 | 80×3 | 63.5 | 53 | |
| | 245 | 233.0 | | | 6,900 | 10,200 | | | 13 | | | | 63.5 | 53 | |
| | 280 | 266.0 | | | 8,100 | 11,800 | | | 14 | | | | 63.5 | 53 | |
| | 310 | 295.0 | | | 9,000 | 13,000 | | | 16 | 100×8 | 200×3 | 32×2 | 80×4 | 63.5 | 53.5 |
| | 360 | 342.0 | | | 10,000 | 14,300 | | | 20 | | | | | 65 | 54 |
| | 410 | 390.0 | | | 10,800 | 15,700 | | | 22 | | | | | 65 | 55 |
| | 480 | 456.0 | | | 12,800 | 18,400 | | | 26 | 125×8 | 150×4 | 50×2 | 80×4 | 65.5 | 55.5 |
| | 540 | 513.0 | | | 15,750 | 22,200 | | | 28 | | | | | 65.5 | 56.5 |
| | 570 | 542.0 | | | 16,200 | 23,300 | | | 29 | | | | | 65 | 56 |
| | 600 | 570.0 | | | 17,400 | 24,600 | | | 31 | 100×12 | 200×4 | 80×5 | 80×5 | 65.5 | 56.5 |
| | 660 | 627.0 | | | 18,000 | 25,700 | | | 36 | | | | | 66 | 57 |
| | 720 | 684.0 | | | 19,200 | 27,200 | | | 39 | | | | | 66.5 | 57 |
| | | | | | | | | | 67 | 58 | | | | | |

- 注 1. 標準能力は水入口温度40℃、水出口温度32℃、入口空気湿球温度27℃、循環水量15.8ℓ/min冷却トンのときの除去熱量を示し、1冷却トンは7600kcal/hとします。
2. 運転音はAレンジで、距離はルーバ横です。

設置場所の選定

下記の点を考慮して選定して下さい。

(1)騒音の影響

- (イ)敷地境界線からできるかぎり離す。
- (ロ)住宅地側をさける。
- (ハ)道路側に設置する。
- (ニ)反響しない位置に設置する。
- (ホ)建物のかげに設置する。

(2)性能面

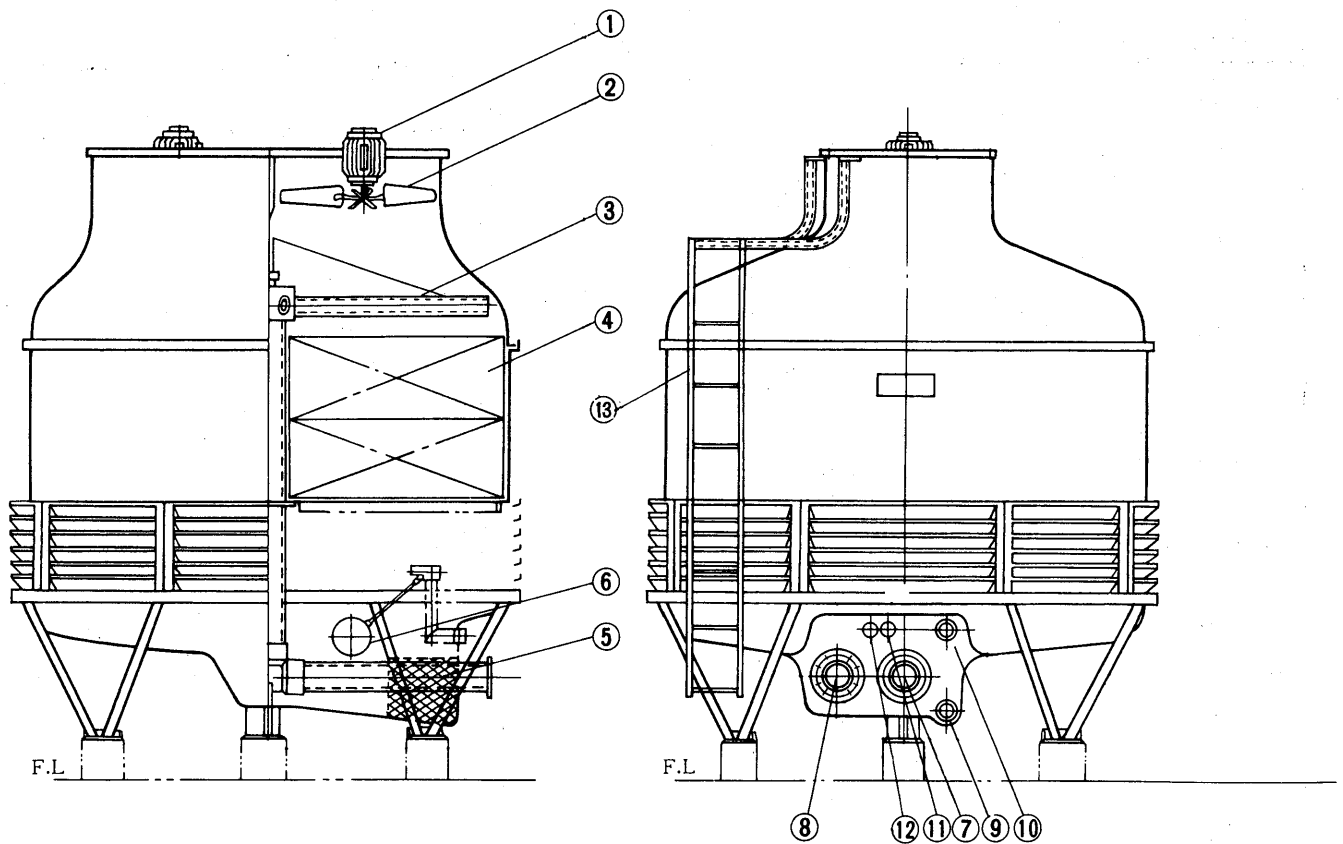
- (イ)風とおしの良いところに設置する。
- (ロ)排気ダクト等熱気の近くをさける。
- (ハ)冷却塔吐出口上部にしゃへい物がないこと
- (ニ)吐出空気を再循環しない位置にすること。
- (ホ)冷却塔吸い込み口部にしゃへい物がないこと。

HT-80~250C

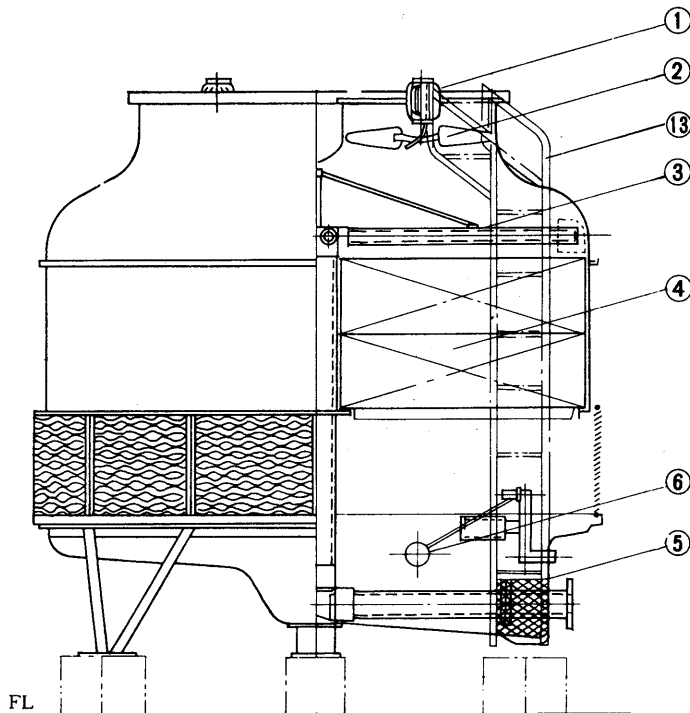
6.1.2 外形寸法図

(1)丸形<HT-C型>標準形

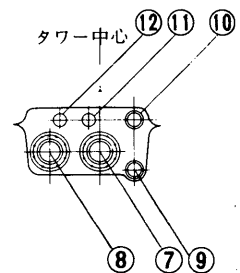
HT-80~125C



HT-150~250C



- 電動機.....①
- 送風機.....②
- 散水装置.....③
- 充填材.....④
- ストレーナー.....⑤
- ボールタップ<自動給水>.....⑥
- 循環水入口.....⑦
- 循環水出口.....⑧
- ドレン.....⑨
- オーバーフロー.....⑩
- 自動給水口.....⑪
- 手動給水口.....⑫
- トラップ.....⑬



▲配管位置

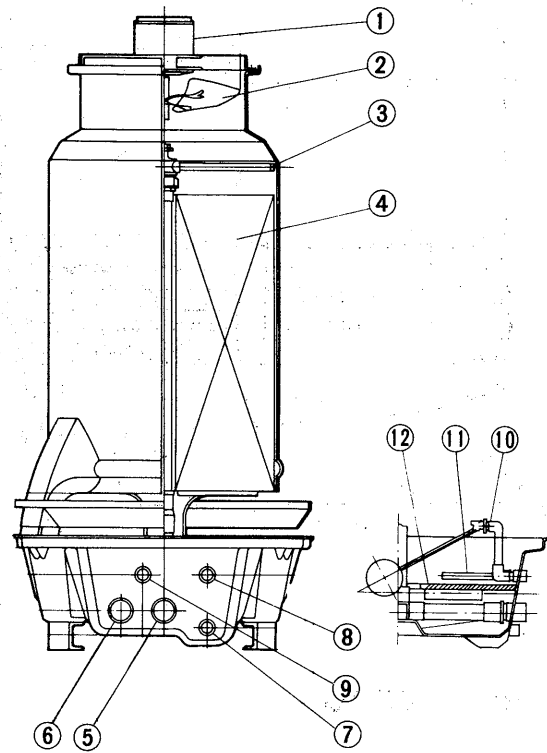
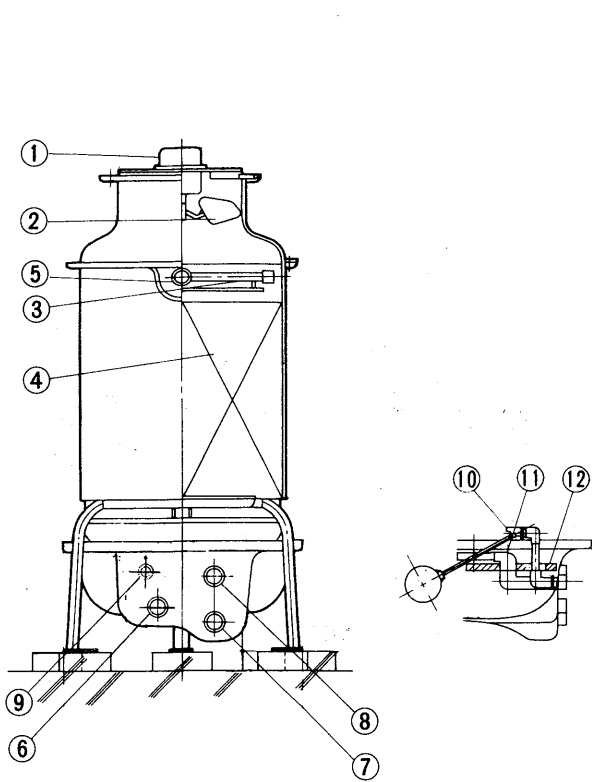
(2)丸形<HT-SQ型>低騒音I

HT-2~5SQ

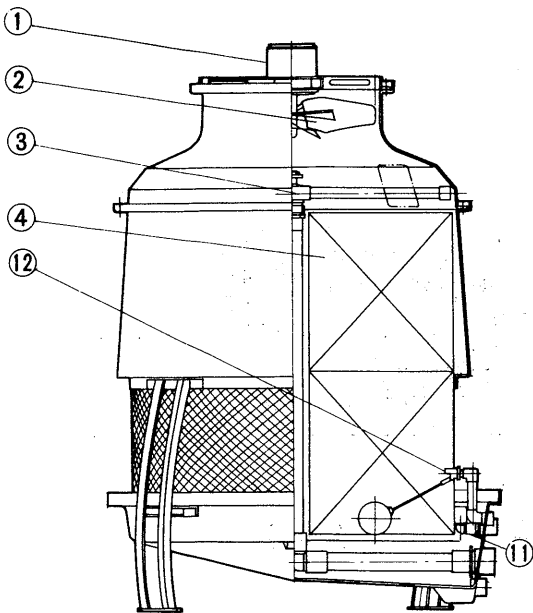
- 電動機.....①
- 送風機.....②
- 散水装置.....③
- 充填材.....④
- 循環水入口.....⑤

- 循環水出口.....⑥
- ドレン.....⑦
- オーバーフロー.....⑧
- 自動給水口.....⑨
- ボールタップ.....⑩

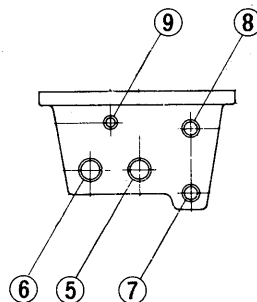
- フローダウン.....⑪
- 消音マット.....⑫



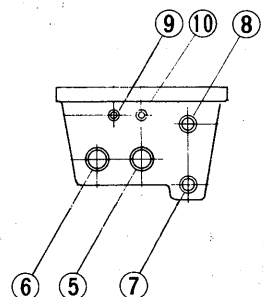
HT-8~60SQ



- 電動機.....①
- 送風機.....②
- 散水装置.....③
- 充填材.....④
- 循環水入口.....⑤
- 循環水出口.....⑥
- ドレン.....⑦
- オーバーフロー.....⑧
- 自動給水口.....⑨
- 手動給水口.....⑩
- フローダウン及びオーバーフロー.....⑪
- ボールタップ.....⑫



HT-8SQ~10SQ



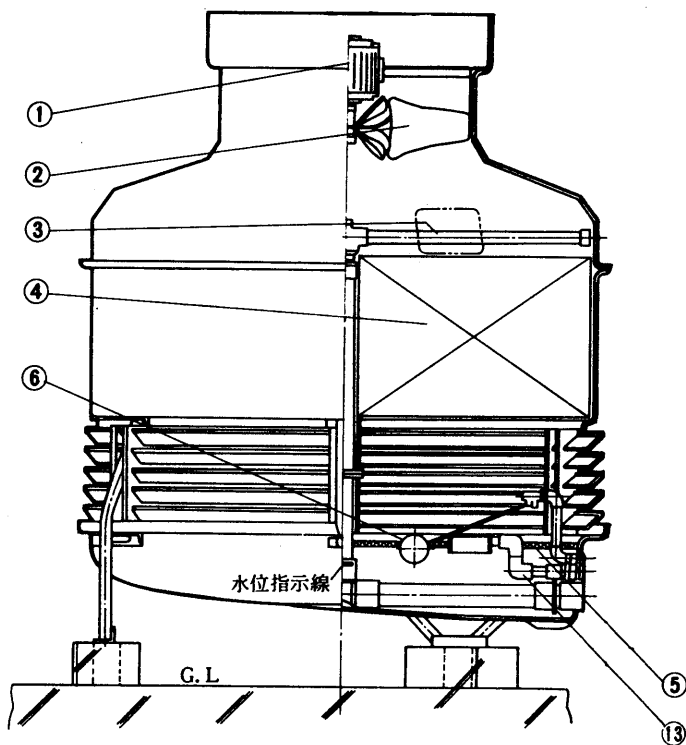
HT-15SQ~60SQ

◀配管位置▶

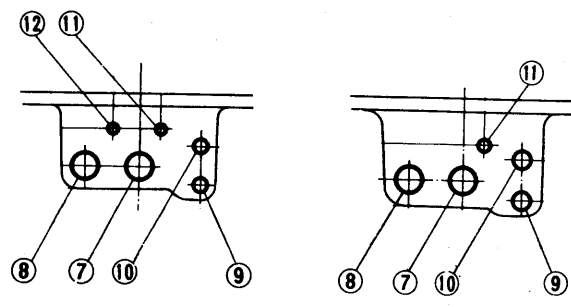
HT-5AQ~125AQ

(3)丸形<HT-AQ型>低騒音Ⅱ

HT-5AQ, HT-8AQ~60AQ



- 電動機.....①
- 送風機.....②
- 散水装置.....③
- 充填材.....④
- 消音マット.....⑤
- ボールタップ.....⑥
- 循環水入口.....⑦
- 循環水出口.....⑧
- ドレン.....⑨
- オーバーフロー.....⑩
- 自動給水口.....⑪
- 手動給水口.....⑫
- ブローダウン
〈オーバーフロー〉.....⑬

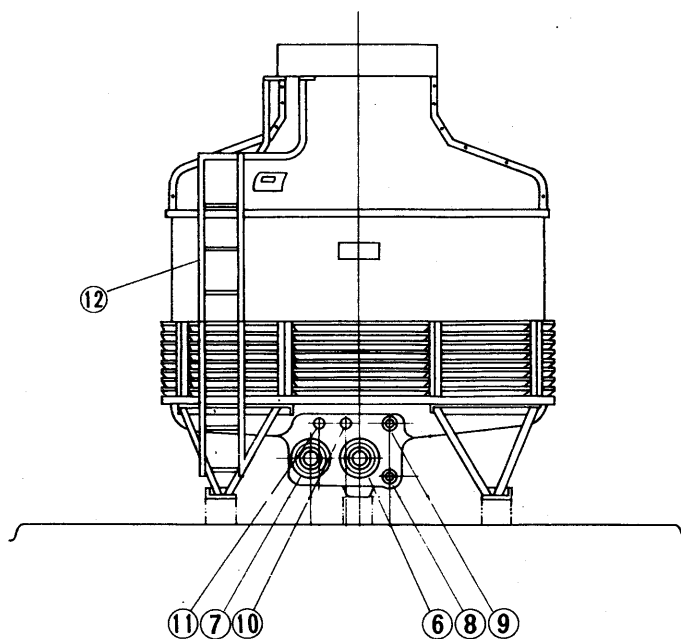
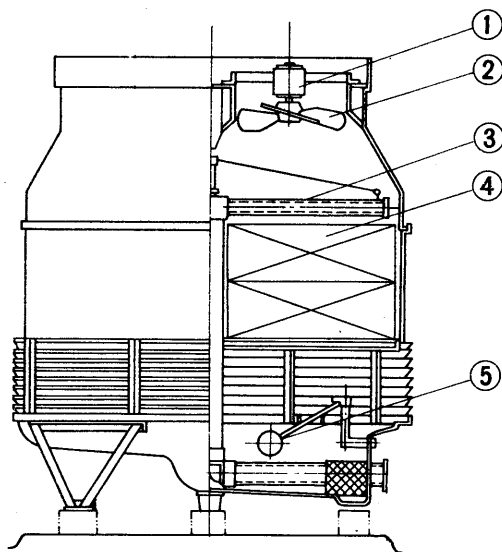


HT-8AQ~60AQ

HT-5AQ

▲配管位置

HT-80~125AQ



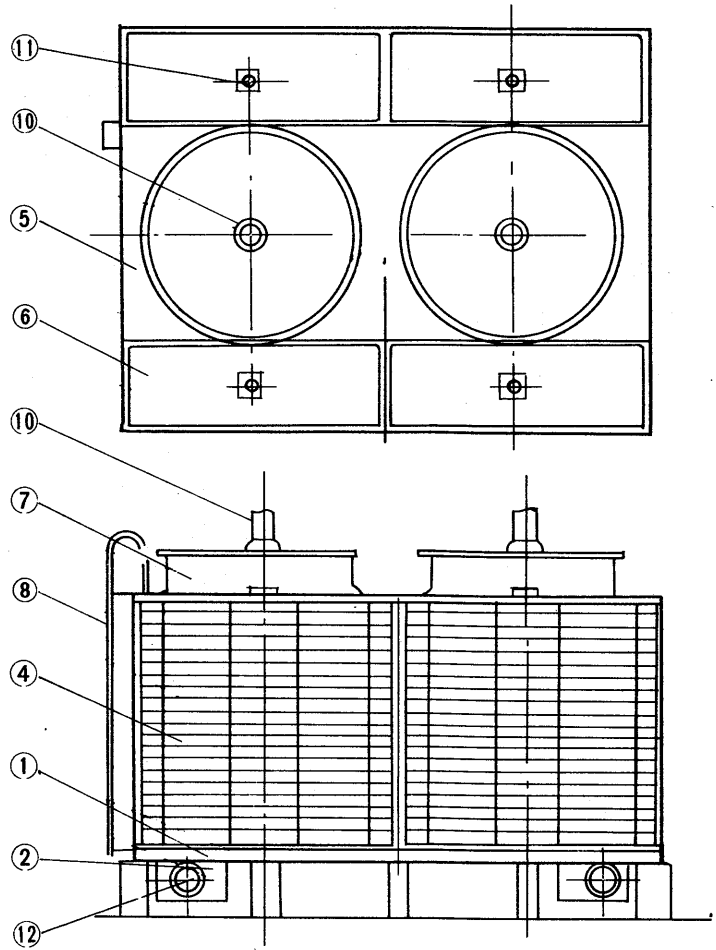
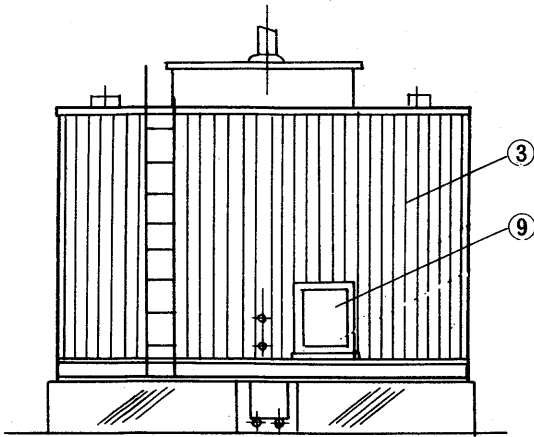
- 電動機.....①
- 送風機.....②
- 散水装置.....③
- 充填材.....④

- ボールタップ.....⑤
- 循環水入口.....⑥
- 循環水出口.....⑦
- 排水口.....⑧

- オーバーフロー.....⑨
- 自動給水口.....⑩
- 手動給水.....⑪
- トラップ.....⑫

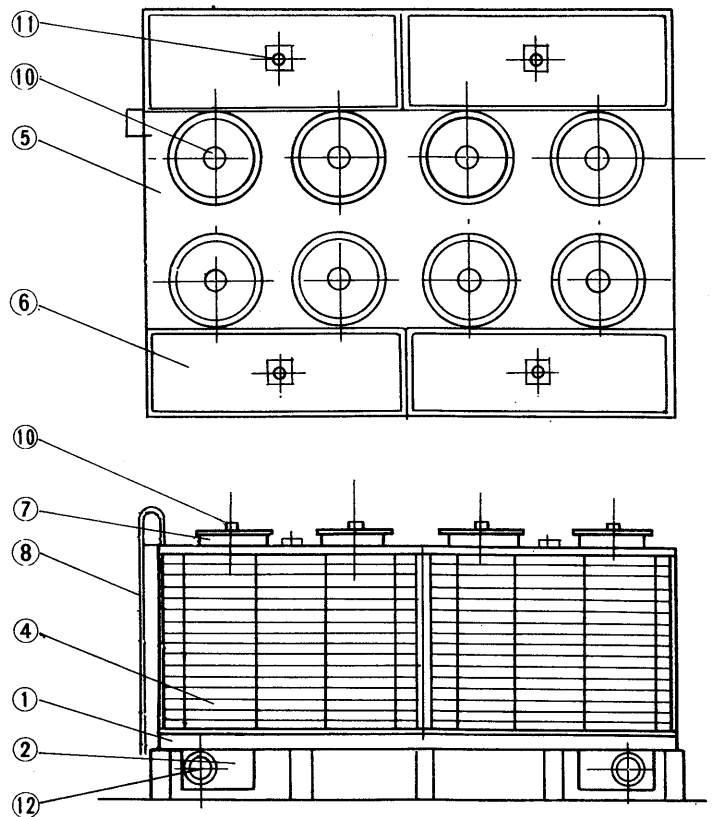
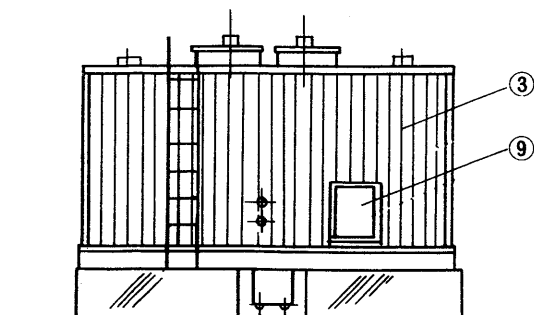
(4)角形〈MS・ME・MQ型〉大口径ファンタイプ

- | | |
|------------|--------------|
| ベッド.....① | ファンドラム.....⑦ |
| 下部水槽.....② | タラップ.....⑧ |
| 側板.....③ | 点検口.....⑨ |
| ルーバ.....④ | ファンモータ.....⑩ |
| 天井板.....⑤ | 循環水入口.....⑪ |
| 散水槽.....⑥ | 循環水出口.....⑫ |



(5)角形〈MS・ME・MQ・MQQ型〉直結ファンタイプ

- | | |
|------------|--------------|
| ベッド.....① | ファンドラム.....⑦ |
| 下部水槽.....② | タラップ.....⑧ |
| 側板.....③ | 点検口.....⑨ |
| ムーバ.....④ | ファンモータ.....⑩ |
| 天井板.....⑤ | 循環水入口.....⑪ |
| 散水槽.....⑥ | 循環水出口.....⑫ |



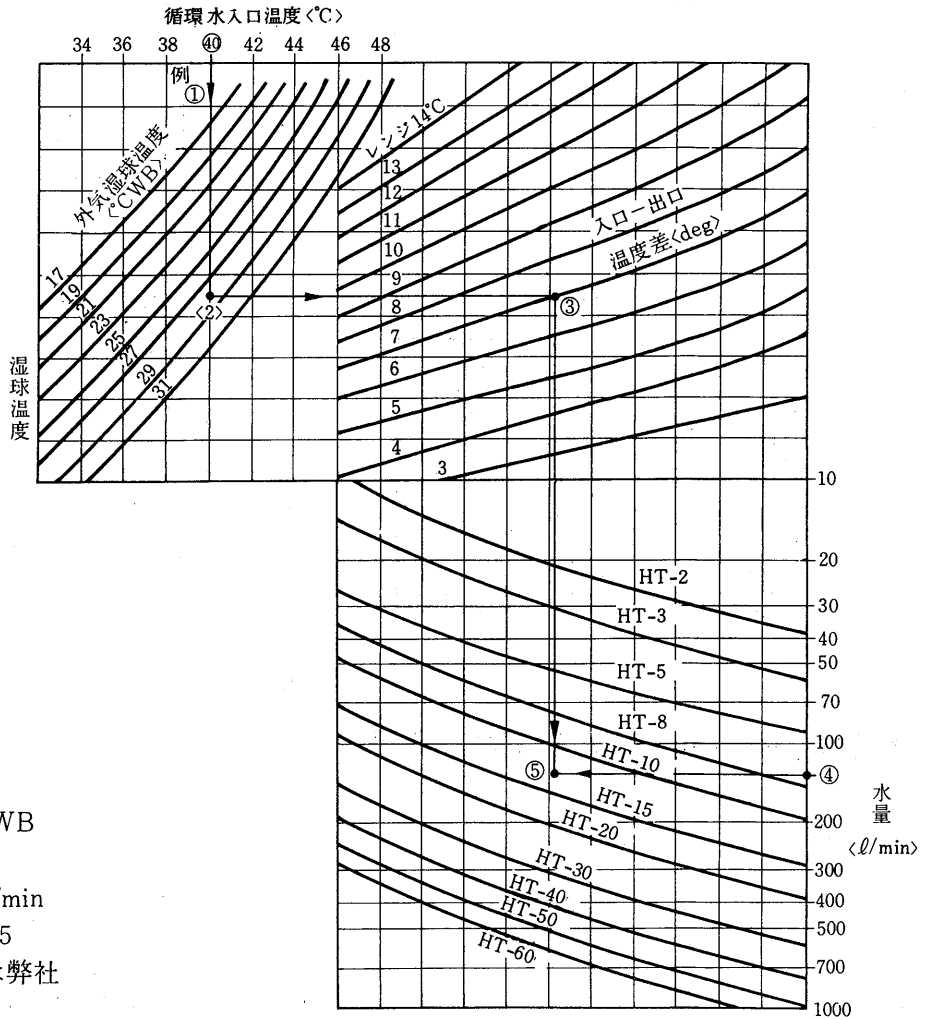
6.1.3 機種選定

ヒシクーリングタワーの標準能力は入口空気湿球温度27°C、循環水入口水温37°C、出口水温32°Cのときの除去熱量を示し、1冷却トンは3900kcal/hとし、形番と冷却トンを同一呼称にしていますが、温度条件が異なる場合は機種選定図表および限界水量表により機種を選定してください。

(1) 機種選定図表

〈小形60冷却トン以下〉

小形〈HT-2SQ~60SQ〉
 〈HT-5AQ~60AQ〉



〈機種の求め方〉

- 例
- ① 循環水入口温度 40°C
 - ② 入口空気湿球温度 28°C WB
 - ③ 循環水温度差 7°C
 - ④ 循環水量 130ℓ/min
 - ⑤ 結果 HT-15

- ・ 本表によって選定できないときは弊社に条件をお知らせください。
- ・ 水量比 $\left(= \frac{\text{使用水量}}{\text{タワー標準水量}} \right)$ が0.8~1.2をはずれる場合弊社営業所または販売店にご相談ください。散水装置を改造する必要があります。

(2)限界水量表

大形<80冷却トン>

| 温度条件 <°C> | | | 丸 形 | | | | | 角 形 | | | | |
|-----------|----------|------|-----------------|----|-------|----|-------|-----------------|-------|-------|-------|-------|
| 入口 水温 | 出口 水温 | 温度差 | 入口空気湿球温度 <°CWB> | | | | | 入口空気湿球温度 <°CWB> | | | | |
| | | | 29 | 28 | 27 | 26 | 25 | 29 | 28 | 27 | 26 | 25 |
| 50 | 38 | 12 | 0.868 | | 0.948 | | 1.019 | 0.829 | 0.873 | 0.913 | 0.953 | 0.989 |
| | 36 | 14 | 0.659 | | 0.734 | | 0.799 | 0.619 | 0.658 | 0.695 | 0.731 | 0.763 |
| | 35 | 15 | 0.572 | | 0.645 | | 0.709 | 0.534 | 0.572 | 0.607 | 0.641 | 0.673 |
| | 34 | 16 | 0.493 | | 0.566 | | 0.629 | 0.457 | 0.495 | 0.529 | 0.562 | 0.593 |
| | 32 | 18 | 0.350 | | 0.428 | | 0.491 | 0.322 | 0.361 | 0.397 | 0.429 | 0.458 |
| | 31 | 19 | 0.283 | | 0.367 | | 0.431 | 0.262 | 0.302 | 0.338 | 0.370 | 0.400 |
| 45 | 38 | 7 | 1.154 | | 1.277 | | 1.388 | 1.152 | 1.219 | 1.285 | 1.350 | 1.408 |
| | 36 | 9 | 0.809 | | 0.912 | | 1.003 | 0.783 | 0.841 | 0.893 | 0.943 | 0.990 |
| | 34 | 11 | 0.574 | | 0.667 | | 0.748 | 0.543 | 0.592 | 0.638 | 0.682 | 0.724 |
| | 32 | 13 | 0.394 | | 0.487 | | 0.563 | 0.365 | 0.413 | 0.457 | 0.496 | 0.524 |
| | 30 | 15 | — | | 0.340 | | 0.418 | — | 0.269 | 0.315 | 0.355 | 0.392 |
| 42 | 36 | 6 | 1.009 | | 1.152 | | 1.281 | 1.008 | 1.086 | 1.164 | 1.236 | 1.307 |
| | 34 | 8 | 0.665 | | 0.783 | | 0.886 | 0.641 | 0.706 | 0.766 | 0.824 | 0.878 |
| | 32 | 10 | 0.437 | | 0.546 | | 0.637 | 0.409 | 0.468 | 0.520 | 0.569 | 0.614 |
| | 30 | 12 | — | | 0.370 | | 0.459 | — | 0.292 | 0.345 | 0.392 | 0.434 |
| 41 | 32 | 9 | 0.456 | | 0.573 | | 0.671 | 0.428 | 0.492 | 0.550 | 0.602 | 0.654 |
| | 31 | 10 | 0.353 | | 0.472 | | 0.566 | 0.328 | 0.390 | 0.446 | 0.498 | 0.544 |
| | 29.5 | 11.5 | — | | 0.342 | | 0.438 | — | 0.261 | 0.318 | 0.367 | 0.412 |
| 40 | 34 | 6 | 0.772 | | 0.920 | | 1.051 | 0.758 | 0.843 | 0.919 | 0.995 | 1.067 |
| | 32 | 8 | 0.480 | | 0.607 | | 0.714 | 0.453 | 0.522 | 0.586 | 0.645 | 0.702 |
| | 31 | 9 | 0.368 | | 0.494 | | 0.596 | 0.343 | 0.410 | 0.470 | 0.525 | 0.577 |
| | 30 | 10 | — | | 0.398 | | 0.498 | — | 0.314 | 0.374 | 0.428 | 0.475 |
| 39 | 33 | 6 | 0.659 | | 0.810 | | 0.943 | 0.641 | 0.726 | 0.804 | 0.882 | 0.950 |
| | 32 | 7 | 0.509 | | 0.649 | | 0.769 | 0.484 | 0.562 | 0.633 | 0.700 | 0.762 |
| | 31 | 8 | 0.386 | | 0.522 | | 0.633 | 0.360 | 0.434 | 0.500 | 0.561 | 0.616 |
| | 29 | 10 | — | | 0.323 | | 0.431 | — | 0.232 | 0.301 | 0.357 | 0.408 |
| 38.5 | 32 | 6.5 | 0.515 | | 0.671 | | 0.805 | 0.505 | 0.587 | 0.660 | 0.732 | 0.800 |
| 38.3 | 32 | 6.3 | 0.524 | | 0.683 | | 0.820 | 0.511 | 0.596 | 0.674 | 0.747 | 0.814 |
| 38 | 33 | 5 | 0.725 | | 0.901 | | 1.056 | 0.716 | 0.814 | 0.910 | 0.998 | 1.081 |
| | 31 | 7 | 0.407 | | 0.557 | | 0.679 | 0.381 | 0.465 | 0.538 | 0.604 | 0.668 |
| 37 | 33 | 4 | 0.823 | | 1.034 | | 1.223 | 0.824 | 0.946 | 1.061 | 1.166 | 1.270 |
| | 32 | 5 | 0.599 | | 0.780 | | 0.937 | 0.582 | 0.684 | 0.780 | 0.869 | 0.953 |
| | 31 | 6 | 0.435 | | 0.602 | | 0.740 | 0.412 | 0.502 | 0.588 | 0.664 | 0.738 |
| | 30 | 7 | — | | 0.465 | | 0.590 | — | 0.367 | 0.444 | 0.514 | 0.581 |
| 36 | 31 | 5 | 0.469 | | 0.660 | | 0.820 | 0.449 | 0.556 | 0.653 | 0.747 | 0.831 |
| | 30 | 6 | — | | 0.497 | | 0.641 | — | 0.394 | 0.483 | 0.562 | 0.664 |
| | 29 | 7 | — | | 0.370 | | 0.506 | — | 0.262 | 0.350 | 0.424 | 0.493 |
| 35 | 32 | 3 | — | | 1.064 | | 1.311 | 0.802 | 0.963 | 1.109 | 1.257 | 1.394 |
| | 30 | 5 | — | | 0.542 | | 0.707 | — | 0.432 | 0.534 | 0.628 | 0.714 |
| | 29 | 6 | — | | 0.393 | | 0.545 | — | 0.279 | 0.376 | 0.468 | 0.537 |
| 33 | 30 | 3 | — | | 0.713 | | 0.967 | — | 0.531 | 0.732 | 0.880 | 1.019 |
| | 29 | 4 | — | | 0.470 | | 0.677 | — | 0.331 | 0.463 | 0.581 | 0.694 |

<機種の求め方>

$$200/0.413=484$$

- 例 ① 循環水入口温度 $tW_1=45^{\circ}\text{C}$
 ② 循環水出口温度 $tW_2=32^{\circ}\text{C}$
 ③ 循環水温度差 $\Delta tW=13^{\circ}\text{C}$
 ④ 入口空気湿球温度 $t_1=28^{\circ}\text{CWB}$
 ⑤ 循環水量 $L=200\text{m}^3/\text{h}$

となりHT-500となります。

- ・本表によって選定できないときは弊社に条件をお知らせください。
- ・本表の 部は散水装置を改善する必要がありますので弊社にご相談ください。

計算方法

該当温度の限界水量で、条件の水量を割った数値がトン数です。

6.2 空研工業株式会社

〒810 福岡市中央区大濠公園2番39号

6.2.1 仕様

TEL 092<741>5031

(1)SKV-Fシリーズ<標準形>

| 形名 | 項目 循環水量 ℓ/min | 外形寸法 | | 重量 湿 kg | 電動機 | | 接続管 | | | | | |
|---------|---------------------|----------|-----------|---------------|---------|----------|-----|-----|-----|---------|-------|-------|
| | | 高さ mm | 直径 mm□ | | 電流 A | 出力 kW | 循環水 | | ドレン | オーバーフロー | 自動給水口 | 手動給水口 |
| | | | | | | | 入口 | 出口 | | | | |
| SKV-3F | 39 | 1,150 | 460 | 49 | 1.0/0.8 | 0.1 | 40 | 40 | 25 | 25 | 15 | 15 |
| SKV-5F | 65 | 1,190 | 630 | 77 | | | | | | | | |
| SKV-8F | 98 | 1,240 | 740 | 105 | 1.4/1.4 | 0.2 | 50 | 50 | 25 | 25 | 15 | 15 |
| SKV-10F | 130 | 1,380 | 840 | 137 | | | | | | | | |
| SKV-15F | 195 | 1,620 | 900 | 195 | 2.6/2.2 | 0.4 | 65 | 65 | 25 | 25 | 15 | 15 |
| SKV-20F | 260 | 1,660 | 1,050 | 255 | | | | | | | | |
| SKV-25F | 325 | 1,765 | 1,170 | 311 | 4.6/4.4 | 0.75 | 80 | 80 | 40 | 40 | 20 | 20 |
| SKV-30F | 390 | 1,950 | 1,210 | 355 | | | | | | | | |
| SKV-40F | 520 | 2,010 | 1,400 | 480 | 7.2/6.7 | 1.5 | 100 | 100 | 40 | 40 | 20 | 20 |
| SKV-50F | 650 | 2,085 | 1,560 | 640 | | | | | | | | |
| SKV-60F | 780 | 2,160 | 1,710 | 750 | 7.2/8.0 | | | | | | | |

(2)SKV-Fsシリーズ<低騒音形>

| 形名 | 項目 循環水量 ℓ/min | 外形寸法 | | 重量 湿 kg | 電動機 | | 接続管 | | | | | |
|----------|---------------------|----------|-----------|---------------|-----------|----------|-----|-----|-----|---------|-------|-------|
| | | 高さ mm | 直径 mm□ | | 電流 A | 出力 kW | 循環水 | | ドレン | オーバーフロー | 自動給水口 | 手動給水口 |
| | | | | | | | 入口 | 出口 | | | | |
| SKV-3Fs | 39 | 1,190 | 630 | 79 | 1.14/10.3 | 0.1 | 40 | 40 | 25 | 25 | 15 | 15 |
| SKV-5Fs | 65 | 1,240 | 740 | 107 | | | | | | | | |
| SKV-8Fs | 98 | 1,380 | 840 | 139 | 1.9/1.6 | 0.2 | 50 | 50 | 25 | 25 | 15 | 15 |
| SKV-10Fs | 130 | 1,620 | 900 | 197 | | | | | | | | |
| SKV-15Fs | 195 | 1,660 | 1,050 | 258 | 3.2/2.4 | 0.4 | 65 | 65 | 25 | 25 | 15 | 15 |
| SKV-20Fs | 260 | 1,765 | 1,170 | 315 | | | | | | | | |
| SKV-30Fs | 390 | 2,010 | 1,400 | 485 | 4.6/4.3 | 0.75 | 80 | 80 | 40 | 40 | 20 | 20 |
| SKV-40Fs | 520 | 2,665 | 1,400 | 508 | | | | | | | | |
| SKV-50Fs | 650 | 2,775 | 1,560 | 778 | 7.3/6.7 | 1.5 | 100 | 100 | 40 | 40 | 20 | 20 |
| SKV-60Fs | 780 | 2,895 | 1,710 | 930 | | | | | | | | |

(3)SKB-PoSシリーズ<標準形>

| 形名 | 項目 循環水量 ℓ/min | 外形寸法 | | | 重量 湿 kg | 電動機 | | 接続管 | | | | | |
|------------|---------------------|----------|---------|----------|---------------|-----------|----------|-------|-------|------|---------|-------|-------|
| | | 高さ mm | 幅 mm | 奥行 mm | | 電流 A | 出力 kW | 循環水 | | ドレン | オーバーフロー | 自動給水口 | 手動給水口 |
| | | | | | | | | 入口 | 出口 | | | | |
| SKB-80PoS | 1,040 | 2,200 | 3,430 | 1,465 | 1,900 | 8.7/8.2 | 2.2 | 80×2 | 100 | 80 | 50 | 20 | 20 |
| SKB-100PoS | 1,300 | 2,400 | 3,630 | 1,665 | 2,250 | | | | 125 | | | | |
| SKB-125PoS | 1,625 | 2,500 | 3,930 | 1,965 | 2,280 | 14.5/14.0 | 3.7 | 100×2 | 150 | 80 | 80 | 25 | 25 |
| SKB-150PoS | 1,950 | | | 2,810 | | | | | | | | | |
| SKB-175PoS | 2,275 | 2,600 | 4,130 | 2,370 | 3,470 | 22.5/20.5 | 5.5 | 125×2 | 200 | 80 | 80 | 32 | 32 |
| SKB-200PoS | 2,600 | 4,230 | 2,770 | 4,030 | | | | | | | | | |
| SKB-225PoS | 2,925 | 2,500 | 3,630 | 3,270 | 4,500 | 14.5/14.0 | 3.7×2 | 100×4 | 200 | 80 | 80 | 50 | 50 |
| SKB-250PoS | 3,250 | | | 3,870 | 5,550 | | | | | | | | |
| SKB-300PoS | 3,900 | 2,600 | 4,130 | 4,270 | 6,050 | 22.5/20.5 | 5.5×2 | 125×4 | 150×2 | 80×2 | 80 | 50 | 50 |
| SKB-350PoS | 4,550 | | | 4,680 | 6,870 | | | | | | | | |
| SKB-400PoS | 5,200 | 2,600 | 4,230 | 5,480 | 8,000 | 22.5/20.5 | 5.5×3 | 100×6 | 200×2 | 80×2 | 80 | 50 | 50 |
| SKB-450PoS | 5,850 | | | 5,775 | 8,210 | | | | | | | | |
| SKB-500PoS | 6,500 | 3,830 | 5,775 | 8,210 | | | | | | | | | |

(4)SKB-PoRS形<低騒音形>.....P645に掲載

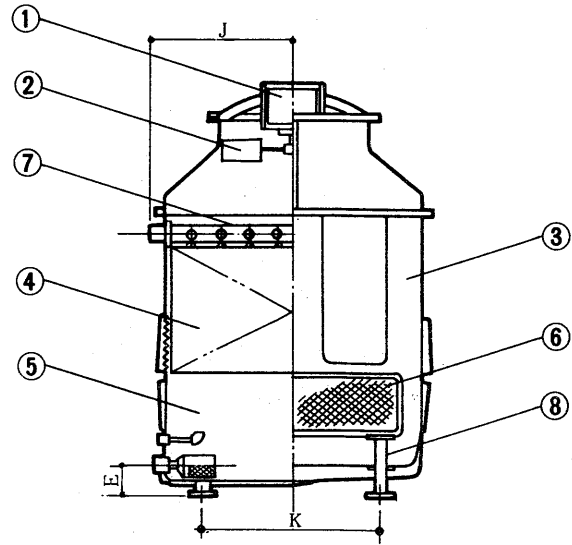
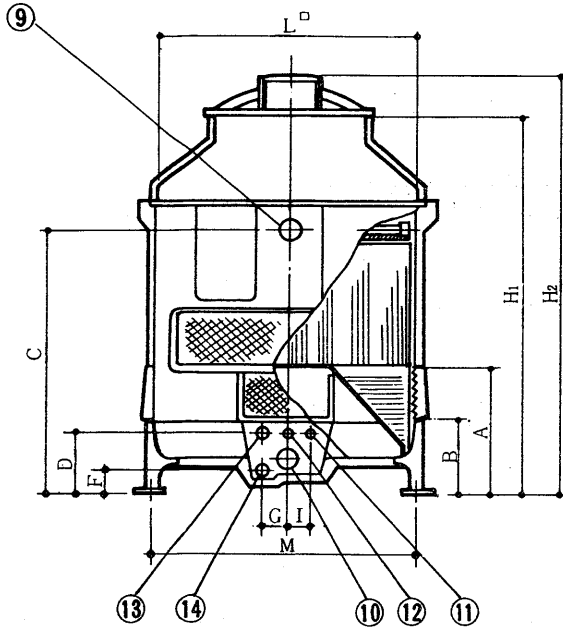
(5)SKD-Fs形<超低騒音形>.....P646に掲載

6.2.2 外形寸法図

(1)SKV-Fシリーズ<標準形>

SKV-3~25F形

- 電動機.....① ルーバ.....⑥ 自動給水口.....⑪
- 送風機.....② 散水管.....⑦ 手動給水口.....⑫
- 本体.....③ 脚.....⑧ オーバーフロー.....⑬
- 充填材.....④ 循環水入口.....⑨ ドレン.....⑭
- 充填材受.....⑤ 循環水出口.....⑩



変化寸法表

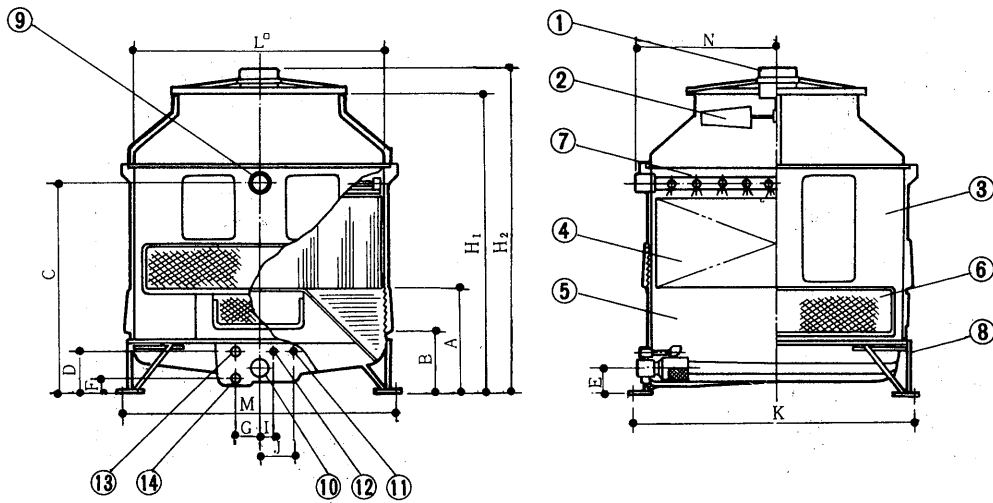
| 形名 | 記号 | 塔体寸法 <mm> | | | 各部寸法 <mm> | | | | | | | | |
|---------|----|-----------|----------------|----------------|-----------|-----|-------|-----|-----|----|-----|-----|-----|
| | | L | H ₁ | H ₂ | A | B | C | D | E | F | G | I | J |
| SKV-3F | | 460 | 1,150 | 1,290 | 400 | 270 | 845 | 200 | 135 | 85 | 100 | 100 | 295 |
| SKV-5F | | 630 | 1,190 | 1,330 | 400 | 270 | 845 | 200 | 135 | 85 | 100 | 100 | 375 |
| SKV-8F | | 740 | 1,240 | 1,380 | 400 | 270 | 845 | 180 | 115 | 65 | 100 | 100 | 430 |
| SKV-10F | | 840 | 1,380 | 1,540 | 490 | 290 | 940 | 210 | 120 | 65 | 100 | 100 | 485 |
| SKV-15F | | 900 | 1,620 | 1,785 | 490 | 290 | 1,140 | 210 | 120 | 65 | 100 | 100 | 515 |
| SKV-20F | | 1,050 | 1,660 | 1,875 | 510 | 310 | 1,160 | 230 | 130 | 65 | 120 | 100 | 595 |
| SKV-25F | | 1,170 | 1,765 | 1,940 | 560 | 310 | 1,210 | 235 | 135 | 70 | 120 | 100 | 655 |

| 形名 | 記号 | 接続管径 | | | | | | 基礎 | | ポルト | サイズ | 数 |
|---------|----|------|----|----|----|----|----|-----|-------|---------|-----|---|
| | | ⑨ | ⑩ | ⑪ | ⑫ | ⑬ | ⑭ | K | M | | | |
| SKV-3F | | 40 | 40 | 15 | 15 | 25 | 25 | 260 | 470 | M12×200 | 4 | |
| SKV-5F | | 40 | 40 | 15 | 15 | 25 | 25 | 430 | 640 | M12×200 | 4 | |
| SKV-8F | | 40 | 40 | 15 | 15 | 25 | 25 | 540 | 750 | M12×200 | 4 | |
| SKV-10F | | 50 | 50 | 15 | 15 | 25 | 25 | 610 | 890 | M12×200 | 4 | |
| SKV-15F | | 50 | 50 | 15 | 15 | 25 | 25 | 560 | 950 | M12×200 | 4 | |
| SKV-20F | | 65 | 65 | 15 | 15 | 25 | 25 | 665 | 1,100 | M12×200 | 4 | |
| SKV-25F | | 65 | 65 | 15 | 15 | 25 | 25 | 725 | 1,220 | M12×200 | 4 | |

SKV-30~60F

SKV-30~60F形

- 電動機.....① 充填材受.....⑥ 自動給水口.....⑪
- 送風機.....② 散水管.....⑦ 手動給水口.....⑫
- 本体.....③ 脚.....⑧ オーバーフロー.....⑬
- 充填材.....④ 循環水入口.....⑨ ドレン.....⑭
- 充填材受.....⑤ 循環水出口.....⑩



変化寸法表

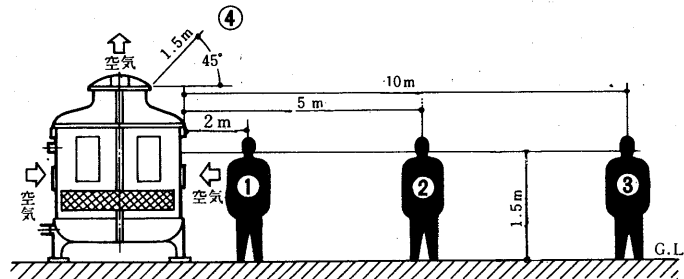
| 形名 | 記号 | 塔体寸法 <mm> | | | 各 部 寸 法 <mm> | | | | | | | | | |
|---------|----|-----------|----------------|----------------|--------------|-----|-------|-----|-----|----|-----|----|-----|-----|
| | | L | H ₁ | H ₂ | A | B | C | D | E | F | G | I | J | N |
| SKV-30F | | 1,210 | 1,950 | 2,070 | 600 | 350 | 1,355 | 230 | 130 | 55 | 150 | 50 | 170 | 680 |
| SKV-40F | | 1,400 | 2,010 | 2,175 | 600 | 350 | 1,355 | 230 | 130 | 55 | 150 | 50 | 170 | 775 |
| SKV-50F | | 1,560 | 2,085 | 2,275 | 650 | 350 | 1,405 | 230 | 130 | 55 | 150 | 50 | 170 | 855 |
| SKV-60F | | 1,710 | 2,160 | 2,350 | 690 | 390 | 1,455 | 270 | 140 | 55 | 150 | 50 | 170 | 940 |

| 形名 | 記号 | 接 続 管 径 | | | | | | 基 礎 | | ボ ル ト | |
|---------|----|-----------------|-----------------|-----------------|-----------------|-----------------|-----------------|-------|-------|---------|---|
| | | ⑨ | ⑩ | ⑪ | ⑫ | ⑬ | ⑭ | K | M | サイ ズ | 数 |
| SKV-30F | | 80 ^A | 80 ^A | 20 ^A | 20 ^A | 40 ^A | 40 ^A | 1,330 | 1,330 | M12×200 | 4 |
| SKV-40F | | 80 | 80 | 20 | 20 | 40 | 40 | 1,520 | 1,520 | M16×250 | 4 |
| SKV-50F | | 80 | 80 | 20 | 20 | 40 | 40 | 1,680 | 1,680 | M16×250 | 4 |
| SKV-60F | | 100 | 100 | 20 | 20 | 40 | 40 | 1,830 | 1,830 | M16×250 | 4 |

音響値

単位：Aスケール<ホン>

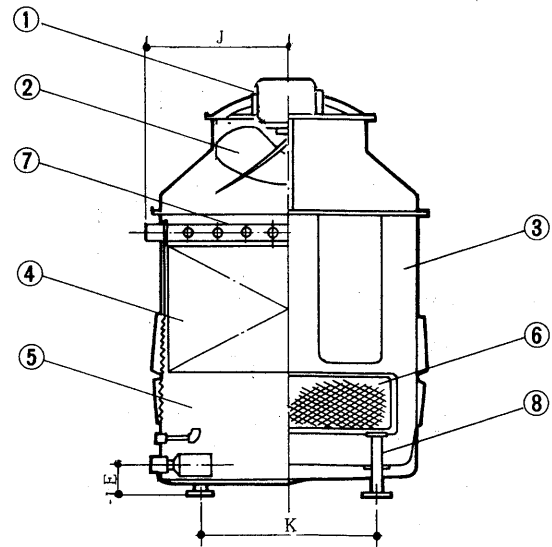
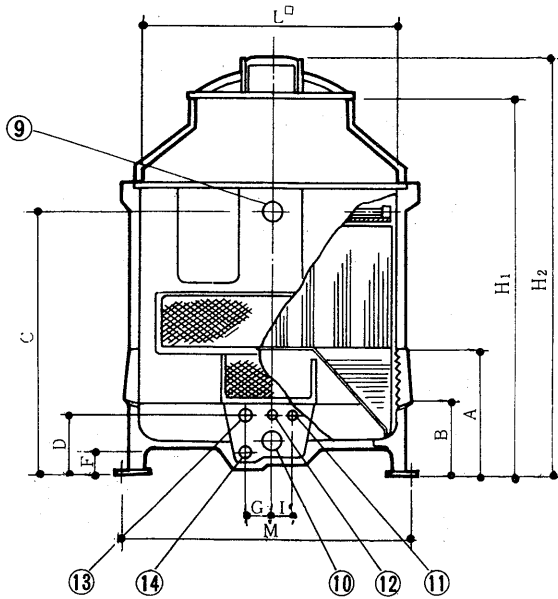
| RT | 測定点 | ① | ② | ③ | ④ |
|----|-----|------|------|------|----|
| 3 | | 46.5 | 39.5 | 37.5 | 53 |
| 5 | | 48 | 42 | 37 | 53 |
| 8 | | 49 | 43.5 | 38 | 56 |
| 10 | | 50 | 43 | 38 | 57 |
| 15 | | 53 | 47 | 43 | 59 |
| 20 | | 56 | 51 | 48 | 61 |
| 25 | | 57 | 51 | 47 | 62 |
| 30 | | 57 | 51 | 46 | 63 |
| 40 | | 58 | 53 | 49 | 64 |
| 50 | | 57 | 52 | 47 | 62 |
| 60 | | 61 | 56 | 52 | 68 |



注 上表は無通水時の運転音ですが、落下水音はほとんどありません。
60Hzの場合、3RT~40RTは3ホン程度あがります。

(2)SKV-Fsシリーズ<超低音形>
SKV-3~20Fs形

- | | | |
|------------|-------------|---------------|
| 電動機.....① | 充填材受.....⑥ | 自動給水口.....⑪ |
| 送風機.....② | 散水管.....⑦ | 手動給水口.....⑫ |
| 本体.....③ | 脚.....⑧ | オーバーフロー.....⑬ |
| 充填材.....④ | 循環水入口.....⑨ | ドレン.....⑭ |
| 充填材受.....⑤ | 循環水出口.....⑩ | |



変化寸法表

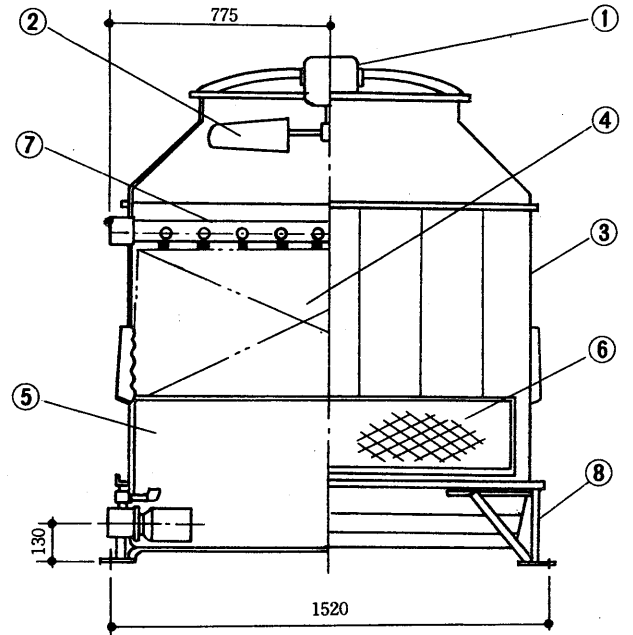
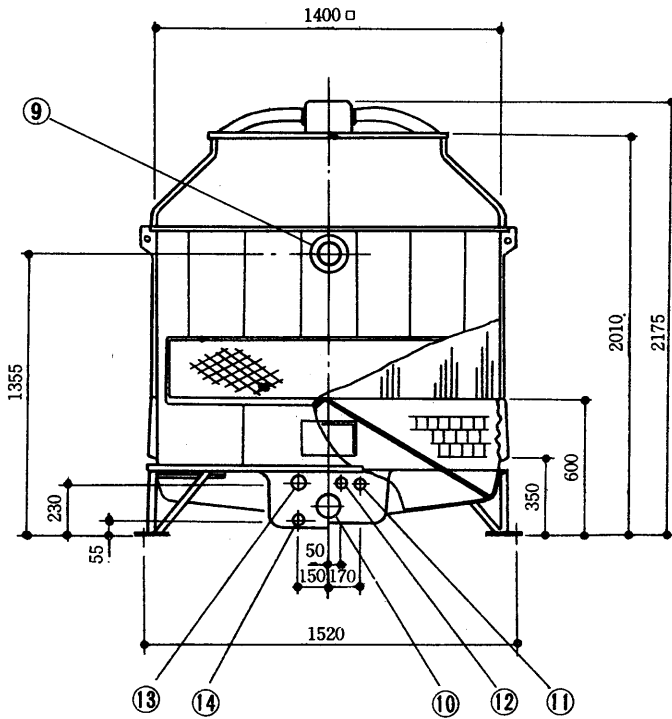
| 形名 | 記号 | 塔体寸法 <mm> | | | 各部寸法 <mm> | | | | | | | | |
|----------|----|-----------|----------------|----------------|-----------|-----|-------|-----|-----|----|-----|-----|-----|
| | | L | H ₁ | H ₂ | A | B | C | D | E | F | G | I | J |
| SKV-3Fs | | 630 | 1,190 | 1,370 | 400 | 270 | 845 | 200 | 135 | 85 | 100 | 100 | 495 |
| SKV-5Fs | | 740 | 1,240 | 1,420 | 400 | 270 | 845 | 180 | 115 | 65 | 100 | 100 | 555 |
| SKV-8Fs | | 840 | 1,380 | 1,590 | 490 | 290 | 940 | 210 | 120 | 65 | 100 | 100 | 610 |
| SKV-10Fs | | 900 | 1,620 | 1,785 | 490 | 290 | 1,140 | 210 | 120 | 65 | 100 | 100 | 640 |
| SKV-15Fs | | 1,050 | 1,660 | 1,875 | 510 | 310 | 1,160 | 230 | 130 | 65 | 120 | 100 | 725 |
| SKV-20Fs | | 1,170 | 1,765 | 1,940 | 560 | 310 | 1,210 | 235 | 135 | 70 | 120 | 100 | 785 |

| 形名 | 記号 | 接続管径 <A> | | | | | | 基礎 | | ボルト | |
|----------|----|----------|----|----|----|----|----|-----|-------|---------|---|
| | | ⑨ | ⑩ | ⑪ | ⑫ | ⑬ | ⑭ | K | M | サイズ | 数 |
| SKV-3Fs | | 40 | 40 | 15 | 15 | 25 | 25 | 430 | 640 | M12×200 | 4 |
| SKV-5Fs | | 40 | 40 | 15 | 15 | 25 | 25 | 540 | 750 | M12×200 | 4 |
| SKV-8Fs | | 50 | 50 | 15 | 15 | 25 | 25 | 610 | 890 | M12×200 | 4 |
| SKV-10Fs | | 50 | 50 | 15 | 15 | 25 | 25 | 560 | 950 | M12×200 | 4 |
| SKV-15Fs | | 65 | 65 | 15 | 15 | 25 | 25 | 665 | 1,100 | M12×200 | 4 |
| SKV-20Fs | | 65 | 65 | 15 | 15 | 25 | 25 | 725 | 1,220 | M12×200 | 4 |

SKV-30Fs

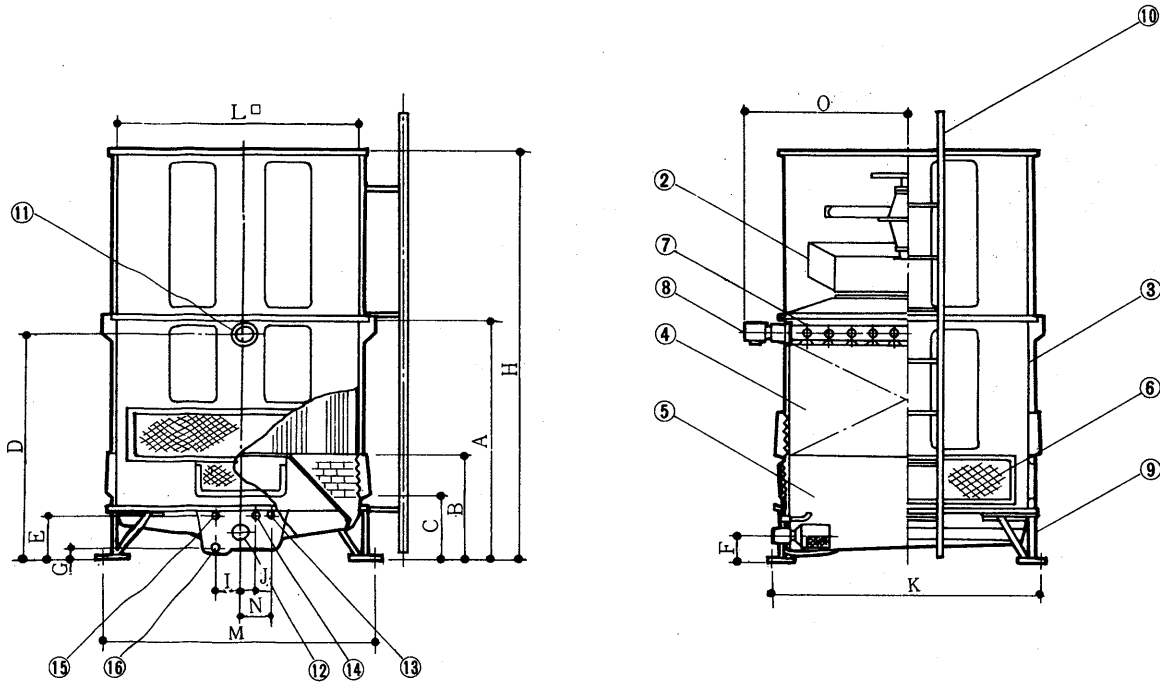
SKV-30Fs形

- | | | | | | |
|-----------|---|------------------|---|--------------------|---|
| 電動機..... | ① | ルーバ..... | ⑥ | 自動給水口 <20A>..... | ⑪ |
| 送風機..... | ② | 散水管..... | ⑦ | 手動給水口 <20A>..... | ⑫ |
| 本体..... | ③ | 脚..... | ⑧ | オーバーフロー <40A>..... | ⑬ |
| 充填材..... | ④ | 循環水入口 <80A>..... | ⑨ | ドレン <40A>..... | ⑭ |
| 充填材受..... | ⑤ | 循環水出口 <80A>..... | ⑩ | 基礎ボルト <M16×250×4> | |



SKV-40~60Fs形

- 電動機.....①
- 送風機.....②
- 本体.....③
- 充填材.....④
- 充填材受.....⑤
- ルーバ.....⑥
- 散水管.....⑦
- 循環水管入口ストレーナー.....⑧
- 脚.....⑨
- タラップ.....⑩
- 循環水入口.....⑪
- 循環水出口.....⑫
- 自動給水口.....⑬
- 手動給水口.....⑭
- オーバーフロー.....⑮
- ドレン.....⑯



変化寸法

| 形名 | 記号 | 塔体寸法<mm> | | 各 部 寸 法 <mm> | | | | | | | | | | |
|----------|----|----------|-------|--------------|-----|-----|-------|-----|-----|----|-----|----|-----|-------|
| | | L | H | A | B | C | D | E | F | G | I | J | N | O |
| SKV-40Fs | | 1,400 | 2,665 | 1,450 | 600 | 350 | 1,355 | 230 | 130 | 55 | 150 | 50 | 170 | 905 |
| SKV-50Fs | | 1,560 | 2,775 | 1,500 | 650 | 350 | 1,405 | 230 | 130 | 55 | 150 | 50 | 170 | 985 |
| SKV-60Fs | | 1,710 | 2,895 | 1,560 | 690 | 390 | 1,455 | 270 | 145 | 55 | 150 | 50 | 170 | 1,095 |

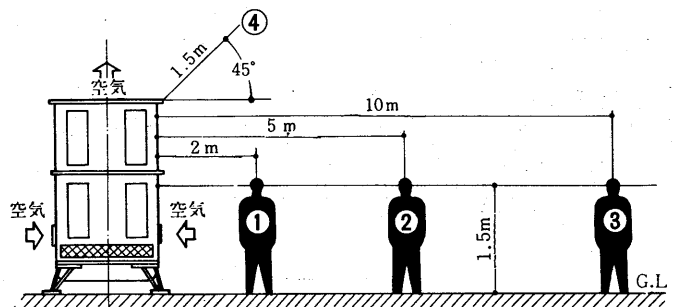
| 形名 | 記号 | 接 続 管 径 <A> | | | | | | 基 礎 ボ ル ト | | | |
|----------|----|-------------|-----|----|----|----|----|-----------|-------|---------|---|
| | | ⑪ | ⑫ | ⑬ | ⑭ | ⑮ | ⑯ | K | M | サイ ズ | 数 |
| SKV-40Fs | | 80 | 80 | 20 | 20 | 40 | 40 | 1,520 | 1,520 | M16×250 | 4 |
| SKV-50Fs | | 80 | 80 | 20 | 20 | 40 | 40 | 1,680 | 1,680 | M16×250 | 4 |
| SKV-60Fs | | 100 | 100 | 20 | 20 | 40 | 40 | 1,830 | 1,830 | M16×250 | 4 |

音響値

単位：Aスケール<ホン>

| RT | 測定点 | ① | ② | ③ | ④ |
|----|-----|----|------|----|----|
| 3 | | 44 | 39 | 36 | 48 |
| 5 | | 47 | 40 | 38 | 53 |
| 8 | | 45 | 41 | 37 | 51 |
| 10 | | 46 | 39.5 | 37 | 50 |
| 15 | | 51 | 47 | 43 | 57 |
| 20 | | 54 | 48 | 45 | 59 |
| 30 | | 54 | 49 | 46 | 59 |
| 40 | | 56 | 50 | 46 | 59 |
| 50 | | 57 | 50 | 46 | 59 |
| 60 | | 57 | 52 | 47 | 59 |

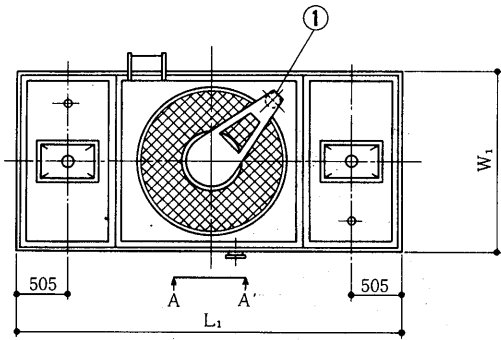
注 左表は無通水時の運転音ですが、落水音はほとんどありません。60Hzの場合、3RT~30RTは2ホン程度あがります。



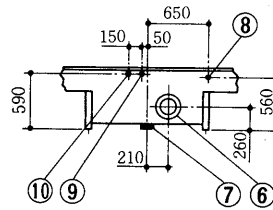
SKB-80~225PoS

(3)SKB-PoSシリーズ<標準形> SKB-80~225PoS形

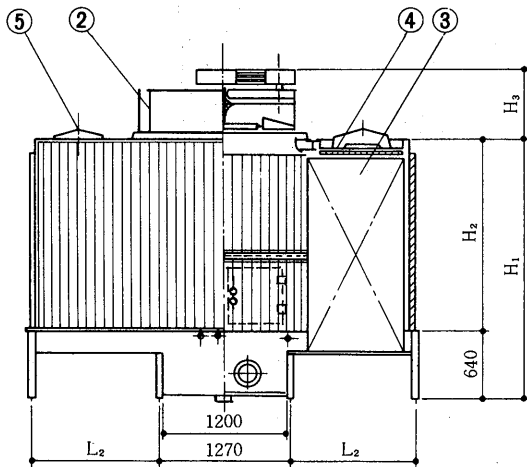
- | | | |
|-----------|---------------|-------------|
| 電動機.....① | 循環水入口.....⑤ | 自動給水口.....⑨ |
| 送風機.....② | 循環水出口.....⑥ | 手動給水口.....⑩ |
| 充填材.....③ | ドレン.....⑦ | |
| 散水板.....④ | オーバーフロー.....⑧ | |



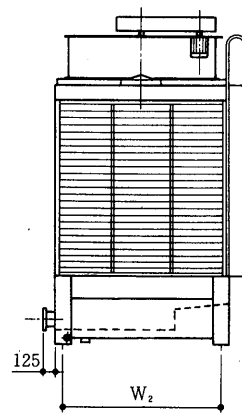
平面図



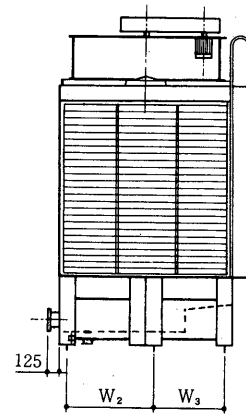
A-A' 視図



側断面図



ルーバー面図
<80~175PoS>



ルーバー面図
<200・225PoS>

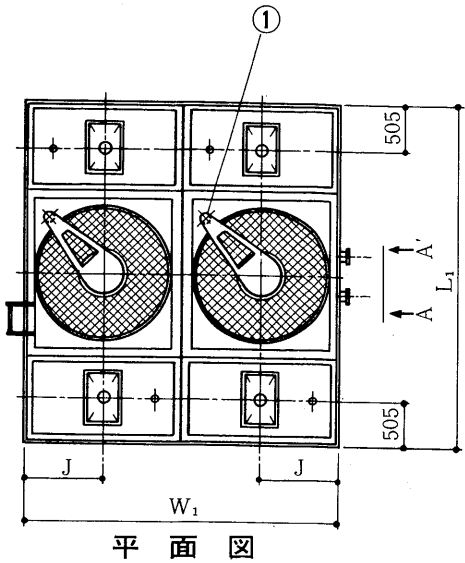
変化寸法

| 形名 | 記号 | 外形寸法 < mm > | | | | | | | |
|------------|----|-------------|-------|----------------|----------------|----------------|----------------|----------------|----------------|
| | | L' | W' | H ₁ | L ₂ | W ₂ | W ₃ | H ₂ | H ₃ |
| SKB-80PoS | | 3,430 | 1,465 | 2,200 | 1,085 | 1,255 | — | 1,560 | 550 |
| SKB-100PoS | | 3,630 | 1,665 | 2,400 | 1,185 | 1,455 | — | 1,760 | 650 |
| SKB-125PoS | | 3,630 | 1,665 | 2,500 | 1,185 | 1,455 | — | 1,860 | 650 |
| SKB-150PoS | | 3,930 | 1,965 | 2,500 | 1,335 | 1,755 | — | 1,860 | 750 |
| SKB-175PoS | | 3,930 | 2,165 | 2,500 | 1,335 | 1,955 | — | 1,860 | 750 |
| SKB-200PoS | | 4,130 | 2,370 | 2,600 | 1,435 | 1,155 | 1,005 | 1,960 | 750 |
| SKB-225PoS | | 4,230 | 2,770 | 2,600 | 1,485 | 1,355 | 1,205 | 1,960 | 750 |

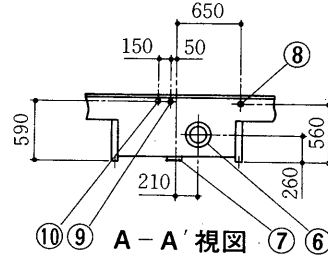
| 形名 | 記号 | 接続管径 < A > | | | | | | 基礎ボルト |
|------------|----|------------|-----|----|----|----|----|------------|
| | | ⑤ | ⑥ | ⑦ | ⑧ | ⑨ | ⑩ | |
| SKB-80PoS | | 80×2 | 100 | 80 | 50 | 20 | 20 | 8×M16×300 |
| SKB-100PoS | | 80×2 | 125 | 80 | 50 | 25 | 25 | 8×M16×300 |
| SKB-125PoS | | 100×2 | 125 | 80 | 50 | 25 | 25 | 8×M16×300 |
| SKB-150PoS | | 100×2 | 150 | 80 | 80 | 25 | 25 | 8×M16×300 |
| SKB-175PoS | | 125×2 | 150 | 80 | 80 | 25 | 25 | 8×M16×300 |
| SKB-200PoS | | 125×2 | 150 | 80 | 80 | 25 | 25 | 10×M16×300 |
| SKB-225PoS | | 125×2 | 200 | 80 | 80 | 32 | 32 | 10×M16×300 |

SKB-250~450PoS形

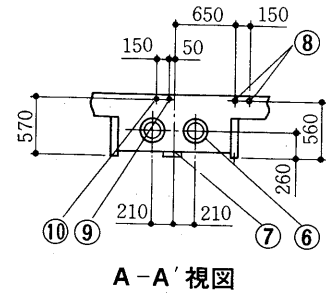
- 電動機.....①
- 送風機.....②
- 充填材.....③
- 散水板.....④
- 循環水管入口.....⑤
- 循環水管出口.....⑥
- ドレン.....⑦
- オーバーフロー.....⑧
- 自動給水口.....⑨
- 手動給水口.....⑩



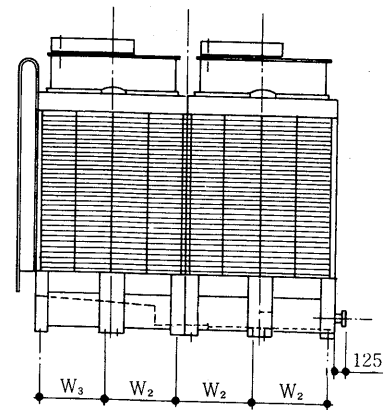
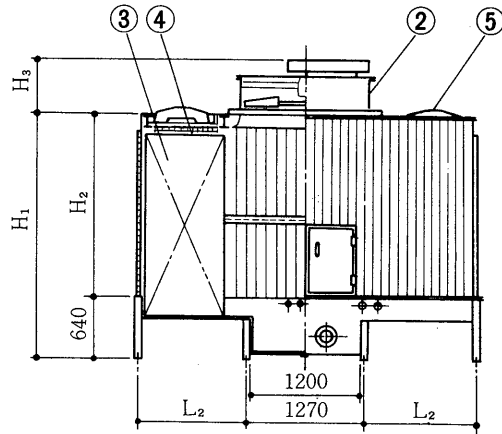
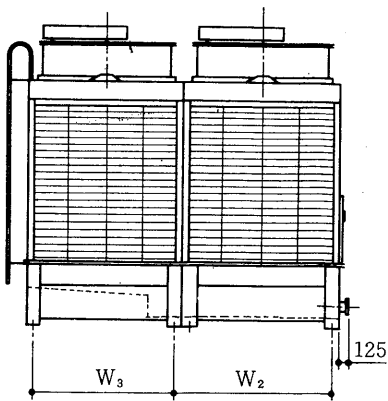
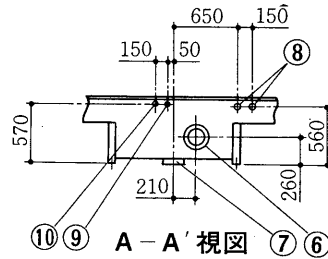
SKB-250PoS形



SKB-400・450PoS形



SKB-300・350PoS形



変化寸法

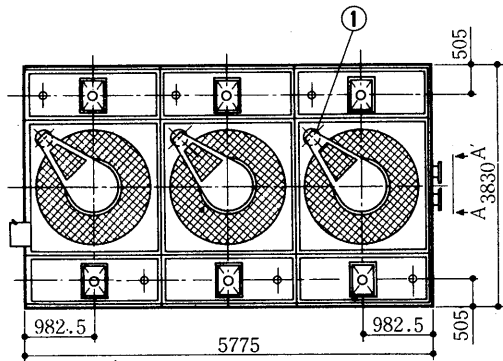
| 形名 | 記号 | 外形寸法 <mm> | | | | | | | | |
|------------|----|----------------|----------------|----------------|----------------|----------------|----------------|----------------|----------------|---------|
| | | L ₁ | W ₁ | H ₁ | L ₂ | W ₂ | W ₃ | H ₂ | H ₃ | J |
| SKB-250PoS | | 3,630 | 3,270 | 2,500 | 1,185 | 1,605 | 1,455 | 1,860 | 650 | 832.5 |
| SKB-300PoS | | 3,930 | 3,870 | 2,500 | 1,335 | 1,905 | 1,755 | 1,860 | 750 | 982.5 |
| SKB-350PoS | | 3,930 | 4,270 | 2,500 | 1,355 | 2,105 | 1,955 | 1,860 | 750 | 1,082.5 |
| SKB-400PoS | | 4,130 | 4,680 | 2,600 | 1,435 | 1,155 | 1,005 | 1,960 | 750 | 1,185 |
| SKB-450PoS | | 4,230 | 5,480 | 2,600 | 1,485 | 1,355 | 1,205 | 1,960 | 750 | 1,385 |

| 形名 | 記号 | 接続管径 <A> | | | | | 基礎ボルト | |
|------------|----|----------|-------|----|------|----|-------|------------|
| | | ⑤ | ⑥ | ⑦ | ⑧ | ⑨ | | ⑩ |
| SKB-250PoS | | 100×4 | 200 | 80 | 80 | 32 | 32 | 10-M16×300 |
| SKB-300PoS | | 100×4 | 200 | 80 | 80×2 | 50 | 50 | 10-M16×300 |
| SKB-350PoS | | 100×4 | 200 | 80 | 80×2 | 50 | 50 | 10-M16×300 |
| SKB-400PoS | | 125×4 | 150×2 | 80 | 80×2 | 50 | 50 | 14-M16×300 |
| SKB-450PoS | | 125×4 | 200×2 | 80 | 80×2 | 50 | 50 | 14-M16×300 |

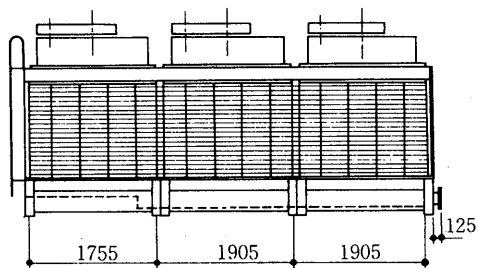
SKB-500PoS

SKB-500PoS形

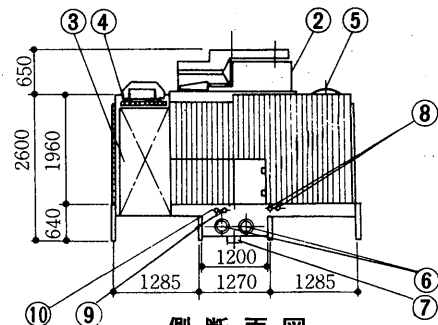
- 電動機.....① 循環水管入口 <100A×6>⑤ 自動給水口<50A>.....⑨
- 送風機.....② 循環水管出口 <200A×2>⑥ 手動給水口<50A>.....⑩
- 充填材.....③ ドレン <80A×2>.....⑦ 基礎ボルト 12-M16×300
- 散水板.....④ オーバーフロー<80A×2>.....⑧



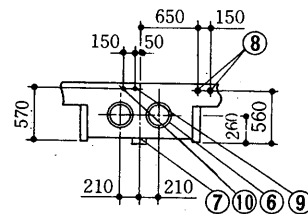
平面図



ルーバ面図



側断面図



A-A' 視図

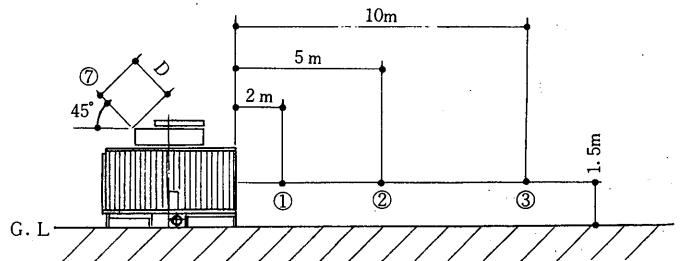
SKB-PoS<標準形>の音響値

単位：Aスケール<ホン>

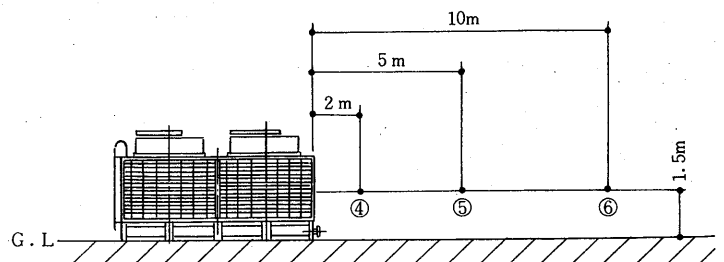
| 測定点 RT | ① | ② | ③ | ④ | ⑤ | ⑥ | ⑦ |
|-----------|----|----|----|----|----|----|----|
| 80 | 67 | 63 | 57 | 62 | 58 | 54 | 70 |
| 100 | 66 | 62 | 56 | 60 | 57 | 54 | 69 |
| 125 | 69 | 65 | 59 | 63 | 60 | 56 | 72 |
| 150 | 67 | 63 | 56 | 62 | 59 | 54 | 71 |
| 175 | 69 | 65 | 58 | 63 | 61 | 56 | 72 |
| 200 | 69 | 66 | 58 | 61 | 58 | 54 | 72 |
| 225 | 68 | 65 | 58 | 62 | 58 | 54 | 72 |
| 250 | 71 | 67 | 60 | 65 | 62 | 58 | 74 |
| 300 | 69 | 65 | 58 | 64 | 61 | 56 | 73 |
| 350 | 71 | 67 | 60 | 65 | 63 | 58 | 74 |
| 400 | 71 | 68 | 60 | 63 | 60 | 56 | 74 |
| 450 | 71 | 67 | 60 | 63 | 60 | 56 | 74 |
| 500 | 75 | 71 | 65 | 70 | 66 | 63 | 77 |
| 600 | 72 | 69 | 61 | 64 | 61 | 57 | 75 |
| 700 | 73 | 69 | 62 | 67 | 65 | 60 | 75 |
| 800 | 72 | 70 | 62 | 64 | 62 | 58 | 75 |
| 900 | 72 | 69 | 62 | 65 | 63 | 58 | 75 |
| 1000 | 73 | 70 | 63 | 65 | 64 | 59 | 75 |

ルーバ面測定点

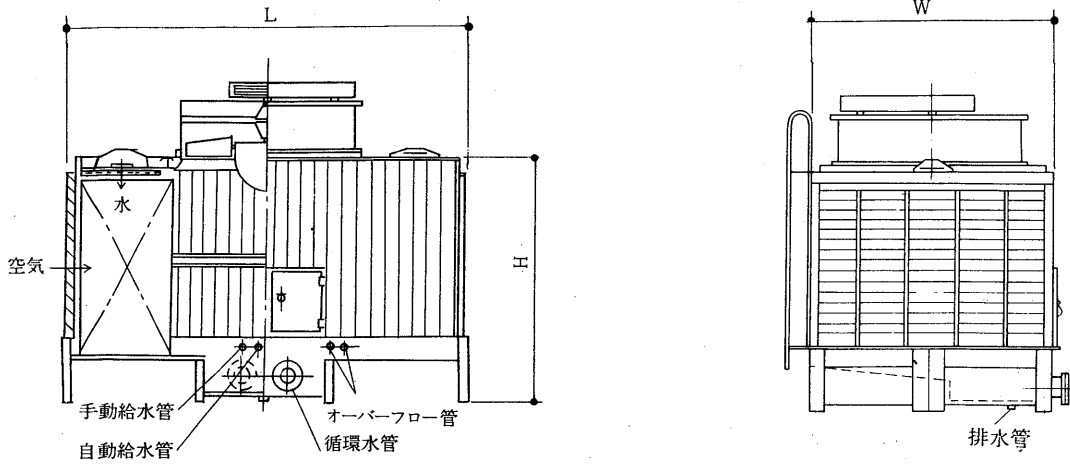
<D: 送風機口径, 最低1.5m>



側板面測定点



(4)SKB-PoRS形<低騒音形>



| 形名 SKB-PoRS | 循環水量 ℓ/min | 外形寸法 | | | 重量 湿 kg | 空研軸流送風機 | | 接続管径 | | | | |
|----------------|---------------|-------|-------|-------|---------------|----------|-----------|-------|----------|-------|-------|-----|
| | | L | W | H | | 直径 mm | 電動機 kW | 循環水管 | オーバーフロー管 | 自動給水管 | 手動給水管 | 排水管 |
| | | mm | | | | | | | | | | |
| 80 | 1,040 | 3,430 | 1,465 | 2,400 | 1,930 | 1,200 | 2.2 | 100 | 50 | 20 | 20 | 80 |
| 100 | 1,300 | 3,630 | 1,665 | 2,400 | 2,260 | 1,400 | 3.7 | 125 | | | | |
| 125 | 1,625 | 3,730 | 1,865 | 2,500 | 2,560 | 1,500 | | 5.5 | 150 | 25 | 25 | |
| 150 | 1,950 | 3,830 | 2,065 | 2,700 | 2,890 | 1,600 | 3.7×2 | | 200 | 80 | 32 | |
| 175 | 2,275 | 4,030 | 2,270 | 2,500 | 3,250 | 1,800 | | | | | | |
| 200 | 2,600 | 4,130 | 2,570 | 2,600 | 3,700 | 1,900 | 5.5×2 | 150×2 | 80×2 | 50 | 50 | |
| 225 | 2,925 | 4,230 | 2,870 | 2,800 | 4,250 | 2,000 | | | | | | |
| 250 | 3,250 | 3,730 | 3,670 | 2,500 | 5,060 | 1,500×2 | 5.5×3 | 200×2 | 80×2 | 50 | 50 | |
| 300 | 3,900 | 3,830 | 4,070 | 2,700 | 5,720 | 1,600×2 | | | | | | |
| 350 | 4,550 | 4,030 | 4,480 | 2,500 | 6,430 | 1,800×2 | 5.5×3 | 200×2 | 80×2 | 50 | 50 | |
| 400 | 5,200 | 4,130 | 5,080 | 2,600 | 7,340 | 1,900×2 | | | | | | |
| 450 | 5,850 | 4,230 | 5,680 | 2,800 | 8,420 | 2,000×2 | 5.5×3 | 200×2 | 80×2 | 50 | 50 | |
| 500 | 6,500 | 4,030 | 6,075 | 2,500 | 8,910 | 1,800×3 | | | | | | |

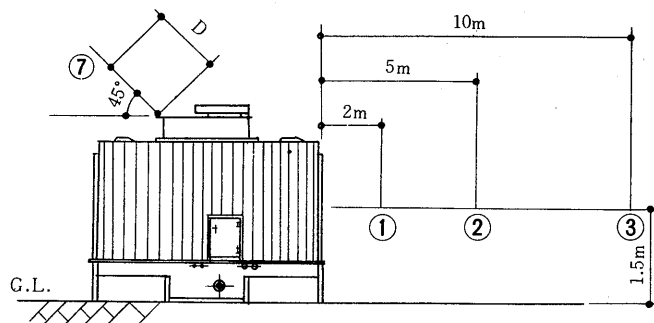
SKB-PoRS<低騒音>の音響値

単位：スケール<ホン>

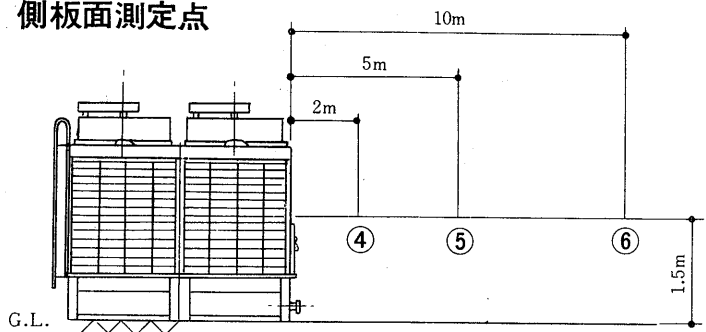
| 測定点 RT | ① | ② | ③ | ④ | ⑤ | ⑥ | ⑦ |
|-----------|----|----|----|----|----|----|----|
| 80 | 61 | 57 | 53 | 57 | 54 | 51 | 68 |
| 100 | 61 | 57 | 52 | 57 | 53 | 50 | 67 |
| 125 | 63 | 59 | 53 | 59 | 56 | 52 | 69 |
| 150 | 63 | 59 | 53 | 59 | 56 | 52 | 69 |
| 175 | 64 | 59 | 54 | 59 | 56 | 53 | 69 |
| 200 | 64 | 59 | 54 | 58 | 55 | 52 | 69 |
| 225 | 64 | 60 | 54 | 58 | 55 | 52 | 69 |
| 250 | 65 | 61 | 55 | 61 | 58 | 54 | 71 |
| 300 | 65 | 61 | 55 | 61 | 58 | 54 | 71 |
| 350 | 66 | 61 | 56 | 61 | 58 | 55 | 71 |
| 400 | 66 | 61 | 56 | 60 | 57 | 54 | 71 |
| 450 | 66 | 62 | 56 | 60 | 57 | 54 | 71 |
| 500 | 67 | 62 | 57 | 62 | 59 | 55 | 72 |

ルーバ面測定点

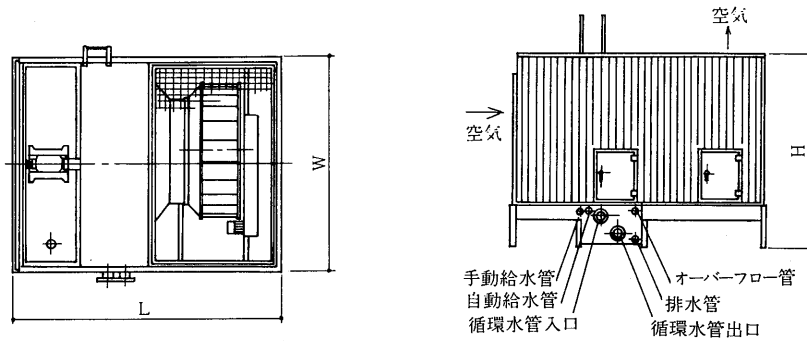
<D：送風機口径，最低1.5m>



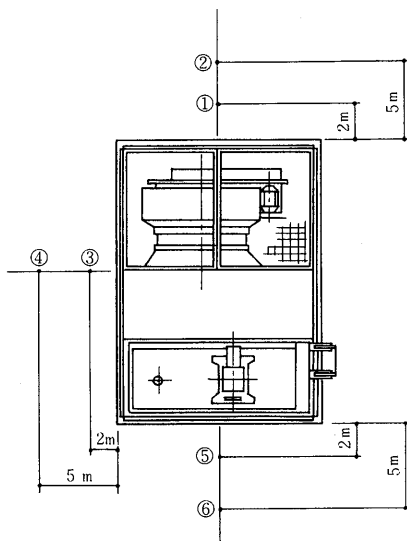
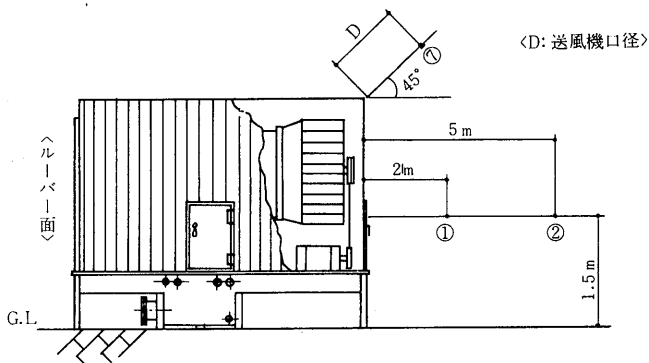
側板面測定点



(5)SKD-Fs形<超低騒音形>



| 項目 形名 | 循環 水量 ℓ/min | 外形寸法 | | | 重量 湿 kg | 空研遠心送風機 | | 接続管径 | | | | |
|-----------|-------------------|-------|--------|-------|---------------|----------|-----------|----------|-------------|-----------|-----------|-----|
| | | L | W | H | | 直径 mm | 電動機 kW | 循環 水管 | オーバ フロー管 | 自動 給水管 | 手動 給水管 | 排水管 |
| | | | | | | | | | | | | |
| SKD-80Fs | 1,040 | 3,500 | 2,470 | 2,800 | 2,550 | 1,500 | 2.2 | 100 | 50 | 20 | 20 | 80 |
| SKD-100Fs | 1,300 | 3,600 | 2,670 | 2,900 | 2,800 | 1,700 | 3.7 | 125 | | | | |
| SKD-125Fs | 1,625 | 3,700 | 2,970 | 3,000 | 3,150 | 1,900 | | 150 | | 25 | 25 | |
| SKD-150Fs | 1,950 | 3,800 | 3,270 | 3,200 | 3,550 | 2,100 | 3.7×2 | | 200 | | | |
| SKD-175Fs | 2,275 | | 3,770 | 3,300 | 4,050 | 2,200 | | | | | | |
| SKD-200Fs | 2,600 | 3,600 | 5,280 | 2,900 | 5,550 | 1,700×2 | | 5.5×2 | | 150×2 | 80×2 | |
| SKD-225Fs | 2,925 | | 5,680 | 3,000 | 6,000 | 1,800×2 | | | | | | |
| SKD-250Fs | 3,250 | 3,700 | 5,880 | 3,000 | 6,300 | 1,900×2 | 3.7×3 | 200×2 | 80×2 | 50 | 50 | |
| SKD-300Fs | 3,900 | 3,800 | 6,480 | 3,200 | 7,000 | 2,100×2 | | | | | | |
| SKD-350Fs | 4,550 | | 7,480 | 3,300 | 8,050 | 2,200×2 | | | | | | |
| SKD-400Fs | 5,200 | 3,700 | 8,790 | 3,100 | 9,450 | 1,900×3 | 3.7×3 | 150×2 | 80×2 | 50 | 50 | |
| SKD-450Fs | 5,850 | 3,800 | 9,690 | 3,200 | 10,500 | 2,100×3 | | | | | | |
| SKD-500Fs | 6,500 | | 10,890 | 3,300 | 11,800 | 2,200×3 | | | | | | |



SKD-Fs<超低騒音>の音響値 単位：Aスケール<ホン>

| RT | 測定点 | ① | ② | ③ | ④ | ⑤ | ⑥ | ⑦ |
|-----|-----|----|----|----|----|----|----|----|
| 80 | | 53 | 50 | 53 | 50 | 58 | 54 | 62 |
| 100 | | 55 | 51 | 55 | 51 | 61 | 57 | 65 |
| 125 | | 55 | 51 | 52 | 49 | 60 | 55 | 65 |
| 150 | | 58 | 55 | 58 | 54 | 62 | 58 | 66 |
| 175 | | 59 | 55 | 59 | 55 | 64 | 59 | 67 |
| 200 | | 57 | 53 | 56 | 52 | 63 | 59 | 67 |
| 225 | | 57 | 53 | 56 | 52 | 63 | 59 | 67 |
| 250 | | 57 | 53 | 53 | 50 | 62 | 57 | 67 |
| 300 | | 60 | 56 | 59 | 55 | 65 | 60 | 68 |
| 350 | | 61 | 57 | 60 | 56 | 66 | 61 | 69 |
| 400 | | 59 | 55 | 55 | 52 | 64 | 59 | 69 |
| 450 | | 61 | 58 | 60 | 56 | 65 | 61 | 69 |
| 500 | | 61 | 58 | 60 | 56 | 66 | 61 | 69 |

6.3 信和産業株式会社

〒104 東京都中央区八丁堀4-2-2

TEL <03>552-8171

6.3.1 丸形

(1)仕様

(a)超低騒音形<SBC-ESS形>

本仕様は改良のため予告なく変更することがあります。

| 項目 形名 | 水量 ℓ/min | 外形寸法 | | 運転時 重量 kg | 電動機 | | 接続管径 | | | | | 駆動 方式 | | |
|-----------|-------------|----------|-----------------------------|-----------------|---------|----------|---------|-----|----------|-----------------|------------------------|----------|----------------|----|
| | | 高さ mm | 最大 外径 mm ^φ | | 電流 A | 出力 kW | 循環水 | | ドレン A | オーバ フロー A | ボールタップ <自動給水口> A | | 急速 給水口 A | |
| | | | | | | | 入口 | 出口 | | | | | | |
| SBC-3ESS | 39 | 1,330 | 730 | 52 | 0.8/0.7 | 0.06 | 25 | 25 | 25 | 25 | 15 | — | 直結 | |
| SBC-5ESS | 65 | 1,395 | 930 | 85 | | | 40 | 40 | | | | | | |
| SBC-8ESS | 104 | 1,700 | 930 | 91 | 1.5/1.3 | 0.15 | 50 | 50 | | | | | | |
| SBC-10ESS | 130 | 1,517 | 1,285 | 158 | | | 50 | 50 | | | | | | |
| SBC-15ESS | 195 | 1,837 | 1,285 | 165 | 2.1/1.9 | 0.25 | 80 | 80 | | | | | | |
| SBC-20ESS | 260 | 2,180 | 1,755 | 300 | 2.4/2.2 | 0.36 | 80 | 80 | 40 | 20 | — | 直結 | | |
| SBC-30ESS | 390 | 2,609 | 2,100 | 330 | 3.8/4.2 | 0.5 | 100 | 100 | | | | | | |
| SBC-40ESS | 520 | 2,308 | 2,035 | 546 | 6.0/6.5 | 0.75 | 12.5/15 | 1.5 | 100 | 100 | 40 | 20 | — | 直結 |
| SBC-50ESS | 650 | 2,609 | 2,100 | 820 | 7.0/8.0 | 1.0 | | | | | | | | |
| SBC-60ESS | 780 | 2,519 | 2,100 | 850 | 12.5/15 | 1.5 | | | | | | | | |
| SBC-80ESS | 1,040 | 2,999 | 2,100 | 953 | 12.5/15 | 1.5 | 100 | 100 | 100 | 100 | 40 | 20 | — | 直結 |

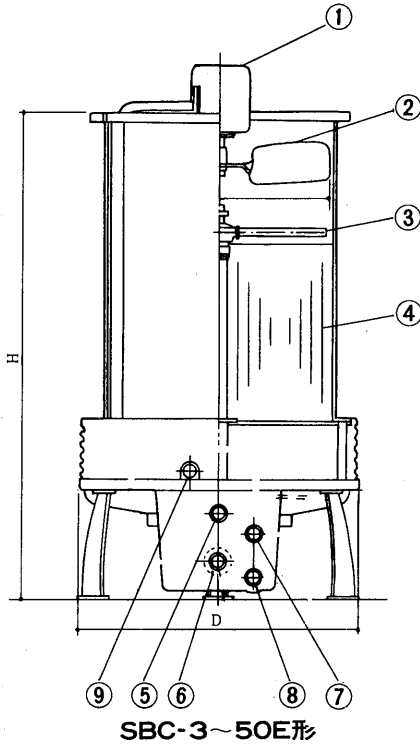
(b)低騒音形<SBC-ES形>

| 項目 形名 | 水量 ℓ/min | 外形寸法 | | 運転時 重量 kg | 電動機 | | 接続管径 | | | | | 駆動 方式 | | |
|------------|-------------|----------|-----------------------------|-----------------|-----------|-----------|------|-----|----------|-----------------|------------------------|----------|----------------|-----------|
| | | 高さ mm | 最大 外径 mm ^φ | | 電流 A | 出力 kW | 循環水 | | ドレン A | オーバ フロー A | ボールタップ <自動給水口> A | | 急速 給水口 A | |
| | | | | | | | 入口 | 出口 | | | | | | |
| SBC-100ES | 1,300 | 2,965 | 2,900 | 1,410 | 15.0/17.8 | 2.2 | 125 | 125 | 50 | 50 | 20 | 20 | 直結 | |
| SBC-125ES | 1,625 | | | 1,470 | 23.5/26.5 | 3.7 | | | | | | | | |
| SBC-150ES | 1,950 | 3,235 | 3,300 | 1,920 | 16.5/15.5 | 24.5/22.5 | 5.5 | 150 | 150 | 80 | 80 | 25 | 25 | ベルト 駆動 |
| SBC-175ES | 2,275 | | | 1,950 | | | | | | | | | | |
| SBC-200ES | 2,600 | 3,435 | 3,700 | 2,350 | 32/30 | 7.5 | 200 | 200 | 100 | 100 | 32 | 32 | ベルト 駆動 | |
| SBC-225ES | 2,925 | 3,660 | 4,400 | 3,620 | | | | | | | | | | |
| SBC-250ES | 3,250 | 3,950 | 4,800 | 3,630 | 45/40 | 11 | 250 | 250 | 125 | 125 | 50 | 50 | ベルト 駆動 | |
| SBC-300ES | 3,900 | | | 4,220 | | | | | | | | | | |
| SBC-350ES | 4,550 | 4,400 | 6,600 | 9,250 | 60/53 | 15 | 300 | 300 | 150 | 150 | 80 | 80 | ギヤ 駆動 | |
| SBC-400ES | 5,200 | 4,250 | 6,100 | 85/79 | | | | | | | | | | 22 |
| SBC-500ES | 6,500 | 4,650 | 5,580 | 6,600 | 45/40 | 11 | 250 | 250 | 125 | 125 | 50 | 50 | ギヤ 駆動 | |
| SBC-600ES | 7,800 | 4,710 | 6,600 | 9,250 | 60/53 | 15 | 300 | 300 | 150 | 150 | 80 | 80 | ギヤ 駆動 | |
| SBC-700ES | 9,100 | 5,110 | 7,600 | 9,800 | 85/79 | 22 | 300 | 300 | 150 | 150 | 80 | 80 | ギヤ 駆動 | |
| SBC-800ES | 10,400 | 5,295 | 7,600 | 12,400 | 85/79 | 22 | 300 | 300 | 150 | 150 | 80 | 80 | ギヤ 駆動 | |
| SBC-1000ES | 13,000 | 5,695 | 7,600 | 12,900 | 85/79 | 22 | 300 | 300 | 150 | 150 | 80 | 80 | ギヤ 駆動 | |

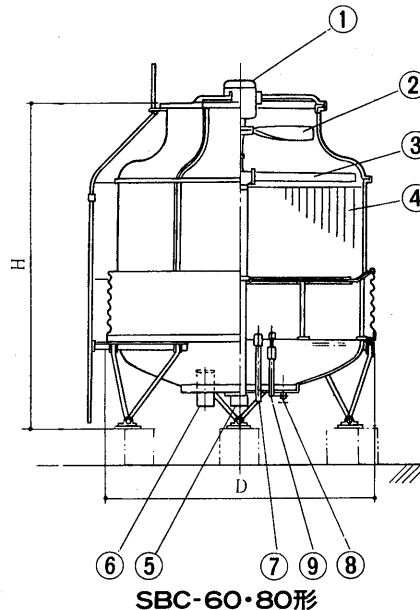
注1. 標準能力は水入口温度37℃、水出口温度32℃、入口空気湿球温度27℃、循環水量13ℓ/min冷却トンのときの除去熱量を示し、1冷却トンは3,900kcal/hとします。

(c)標準形〈SBC-E形〉

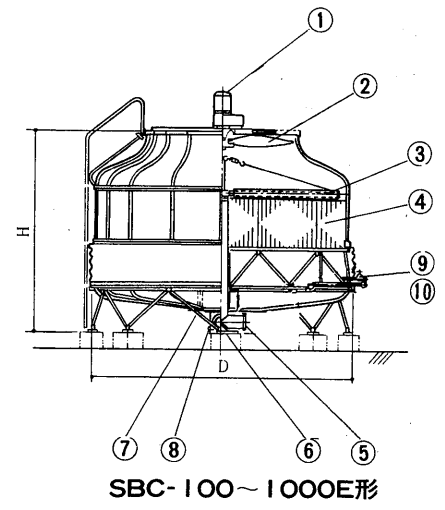
- 電動機.....①
- 送風機.....②
- 散水管.....③
- 充填材.....④
- 循環水入口.....⑤
- 循環水出口.....⑥
- オーバーフロー.....⑦
- ドレン.....⑧
- 自動給水口.....⑨
- 急速給水口.....⑩



SBC-3~50E形



SBC-60・80形



SBC-100~1000E形

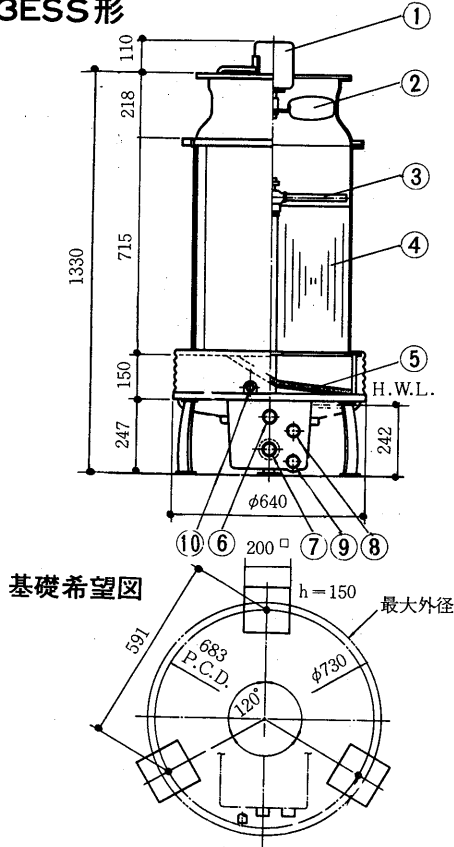
| 形名 | 項目 水量 ℓ/min | 外形寸法 | | 重量 運転時 kg | 電動機 kW | 送風機 mm | 風量 m³/min | 接続管径 | | | | | | 駆動方式 |
|-----------|-------------------|----------|----------|-----------------|-----------|-----------|--------------|------|-----|-----|-----|----|-----|------|
| | | 高さ mm | 外径 mm | | | | | ⑤ | ⑥ | ⑦ | ⑧ | ⑨ | ⑩ | |
| | | | | | | | | A | | | | | | |
| SBC-3E | 39 | 1,112 | 730 | 49 | 0.1 | 500 | 45 | 25 | 25 | 25 | 15 | — | 直結 | |
| SBC-5E | 65 | 1,395 | 930 | 80 | | | 55 | 40 | 40 | | | | | |
| SBC-8E | 104 | 1,700 | | 86 | | | 70 | | | | | | | |
| SBC-10E | 130 | 1,517 | 87 | 66 | | | 50 | 50 | | | | | | |
| SBC-15E | 195 | 1,837 | 150 | 0.4 | 600 | 140 | | | 25 | 25 | | | | |
| SBC-20E | 260 | 2,180 | 1,755 | 160 | 0.75 | 900 | 230 | 80 | 80 | 25 | — | | | |
| SBC-30E | 390 | 2,308 | 2,035 | 290 | | | 280 | | | | | | | |
| SBC-40E | 520 | 2,519 | 2,100 | 310 | 1.5 | 1,200 | 330 | 100 | 100 | 40 | 20 | | | |
| SBC-50E | 650 | 2,999 | 835 | 430 | | | | | | | | | | |
| SBC-60E | 780 | 2,965 | 2,900 | 945 | 2.2 | 1,500 | 450 | 125 | 125 | 50 | 50 | 20 | | |
| SBC-80E | 1,040 | | | 1,300 | | | 1,330 | | | | | | 750 | |
| SBC-100E | 1,300 | 3,235 | 3,300 | 1,690 | 3.7 | 1,800 | 890 | 150 | 150 | 80 | 80 | 25 | 25 | |
| SBC-125E | 1,625 | | | 1,690 | | | 1,085 | | | | | | | |
| SBC-150E | 1,950 | 3,435 | 3,700 | 1,760 | 5.5 | 2,400 | 1,250 | 200 | 200 | 100 | 100 | 32 | 32 | |
| SBC-175E | 2,275 | | | 1,760 | | | 1,410 | | | | | | | |
| SBC-200E | 2,600 | 3,660 | 4,400 | 2,080 | 7.5 | 2,400 | 1,900 | 250 | 250 | 125 | 125 | 50 | 50 | |
| SBC-225E | 2,925 | | | 2,080 | | | 1,900 | | | | | | | |
| SBC-250E | 3,250 | 3,950 | 4,800 | 3,270 | 11 | 3,000 | 3,350 | 300 | 300 | 150 | 150 | 80 | 80 | |
| SBC-300E | 3,900 | | | 3,270 | | | 2,600 | | | | | | | |
| SBC-350E | 4,550 | 5,580 | 6,600 | 3,890 | 15 | 3,400 | 3,990 | 250 | 250 | 125 | 125 | 50 | 50 | |
| SBC-400E | 5,200 | | | 3,890 | | | 3,750 | | | | | | | |
| SBC-500E | 6,500 | 7,600 | 12,050 | 5,800 | 22 | 3,600 | 6,300 | 300 | 300 | 150 | 150 | 80 | 80 | |
| SBC-600E | 7,800 | | | 5,800 | | | 5,000 | | | | | | | |
| SBC-700E | 9,100 | 5,695 | 12,600 | 8,750 | 22 | 3,600 | 9,300 | 300 | 300 | 150 | 150 | 80 | 80 | |
| SBC-800E | 10,400 | | | 8,750 | | | 5,400 | | | | | | | |
| SBC-1000E | 13,000 | | | 12,600 | | | | | | | | | | |

(2)外形寸法図

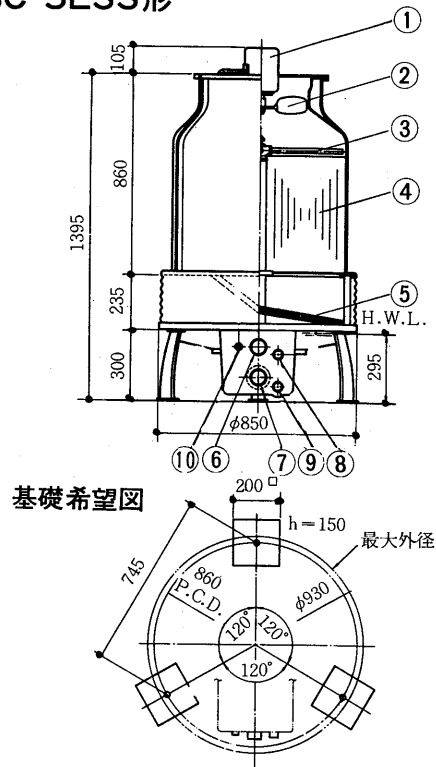
(a)超低騒音形<SBC-ESS形>

- | | | |
|-----------|---------------|-------------|
| 電動機.....① | 消音マット.....⑤ | ドレン.....⑨ |
| 送風機.....② | 循環水入口.....⑥ | 自動給水口.....⑩ |
| 散水管.....③ | 循環水出口.....⑦ | |
| 充填材.....④ | オーバーフロー.....⑧ | |

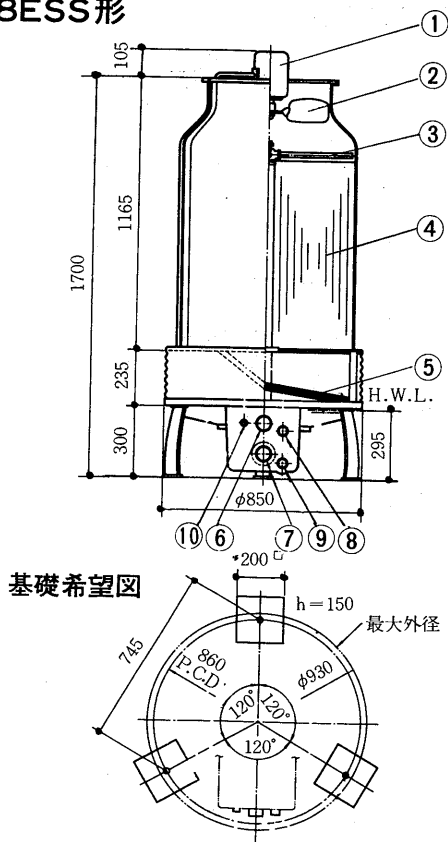
SBC-3ESS形



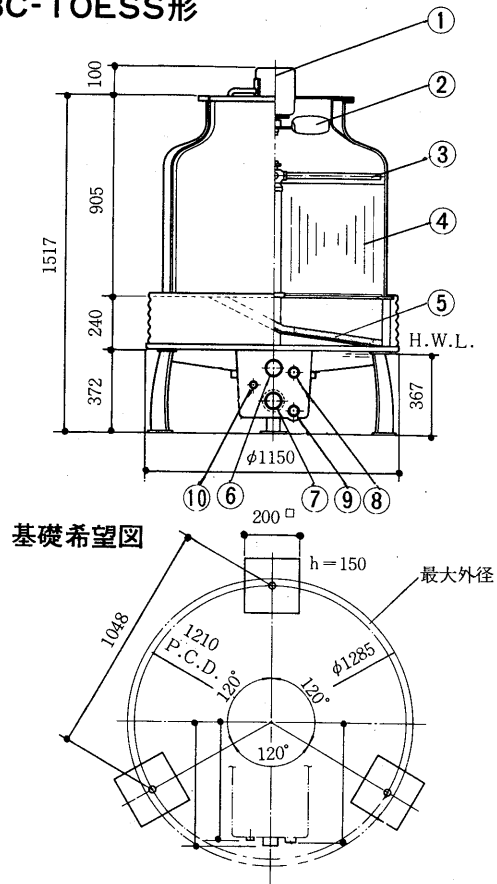
SBC-5ESS形



SBC-8ESS形



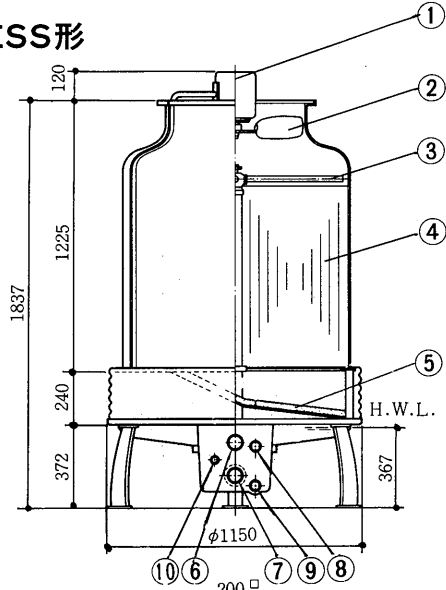
SBC-10ESS形



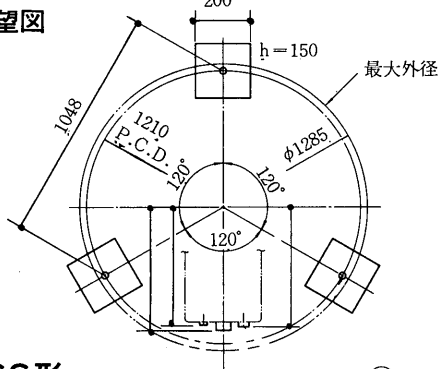
SBC-15ESS~40ESS

- | | | | | | |
|----------|---|--------------|---|------------|---|
| 電動機..... | ① | 消音マット..... | ⑤ | ドレン..... | ⑨ |
| 送風機..... | ② | 循環水入口..... | ⑥ | 自動給水口..... | ⑩ |
| 散水管..... | ③ | 循環水出口..... | ⑦ | | |
| 充填材..... | ④ | オーバーフロー..... | ⑧ | | |

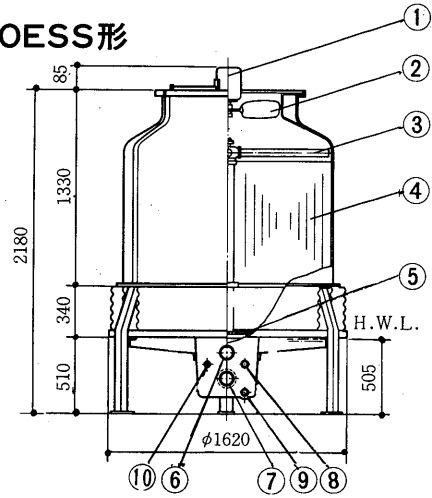
SBC-15ESS形



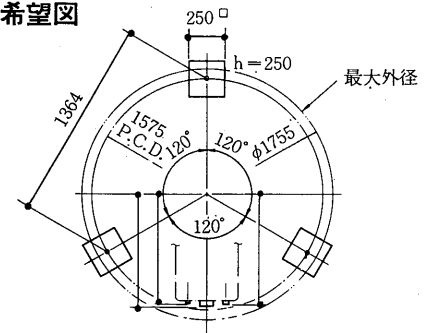
基礎希望図



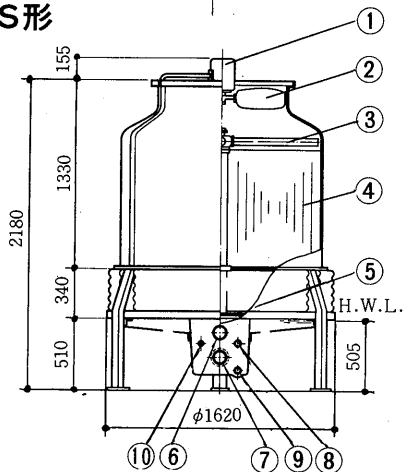
SBC-20ESS形



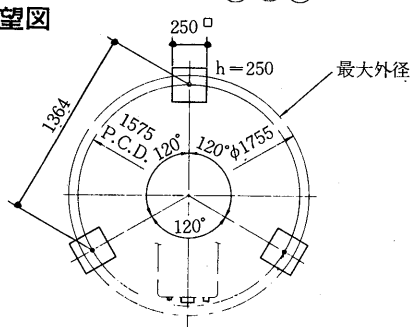
基礎希望図



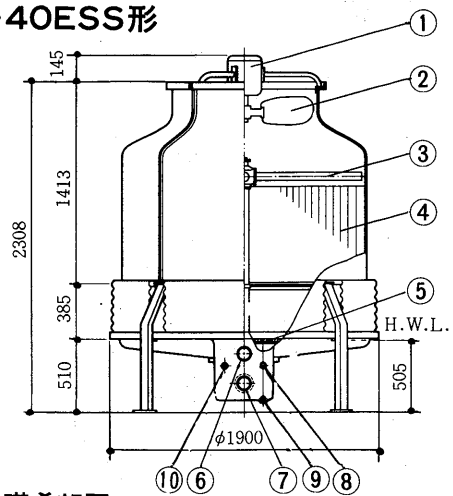
SBC-30ESS形



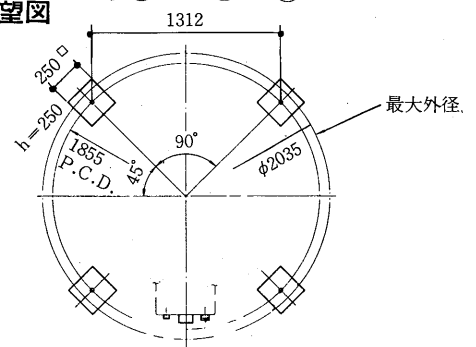
基礎希望図



SBC-40ESS形

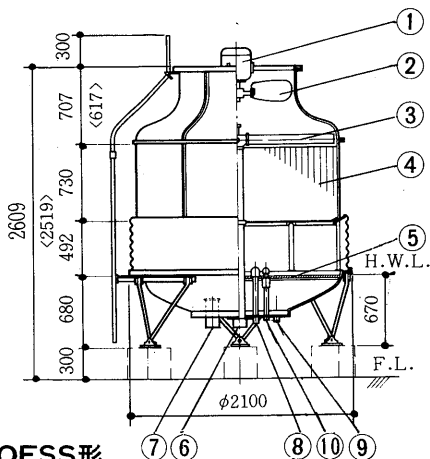


基礎希望図

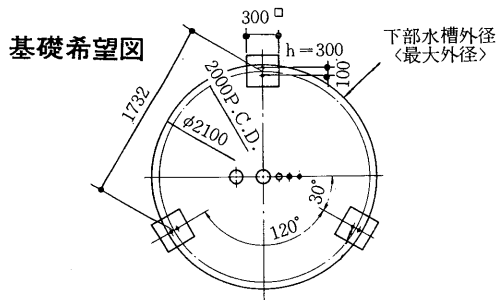


- 電動機.....① 消音マット.....⑤ ドレン.....⑨
- 送風機.....② 循環水入口.....⑥ 自動給水口.....⑩
- 散水管.....③ 循環水出口.....⑦ 急速給水口.....⑪
- 充填材.....④ オーバーフロー.....⑧

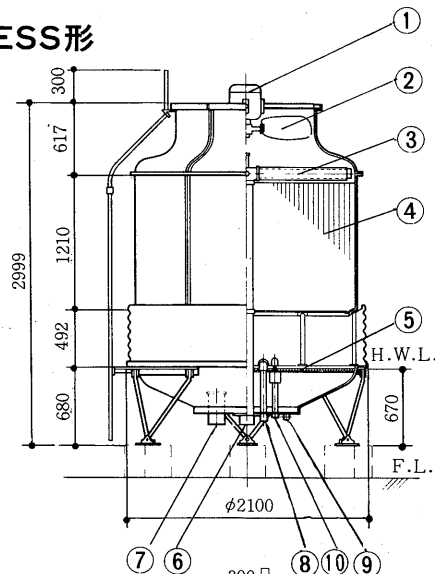
SBC-50ESS・60ESS形



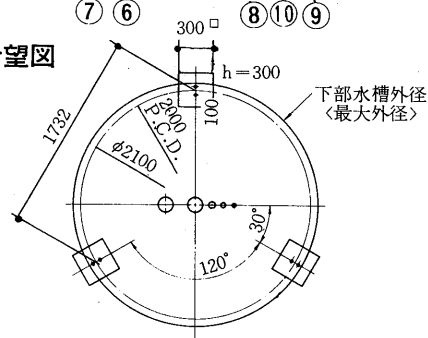
● < >内は60ESS形



SBC-80ESS形

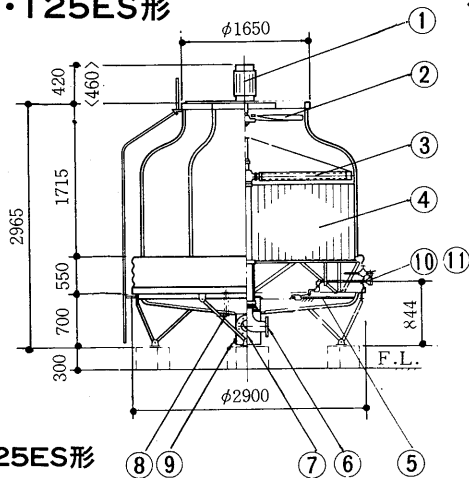


基礎希望図



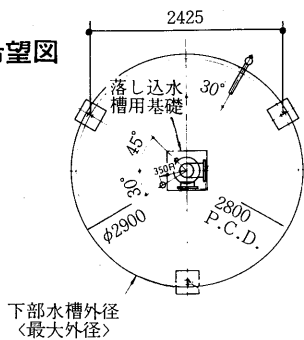
(b)低騒音形<SBC-ES形>

SBC-100ES・125ES形



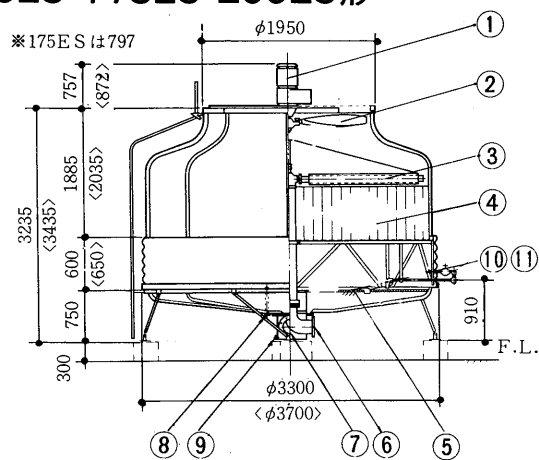
● < >内は125ES形

基礎希望図



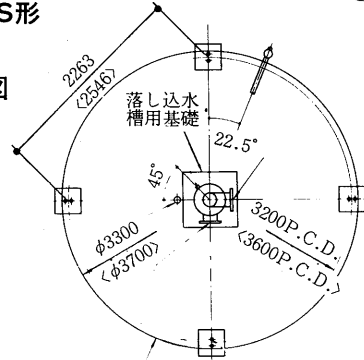
下部水槽外径
<最大外径>

SBC-150ES・175ES・200ES形



● < >内は200ES形

基礎希望図

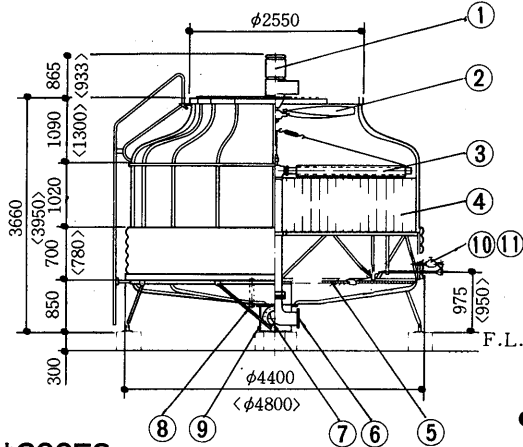


下部水槽外径
<最大外径>

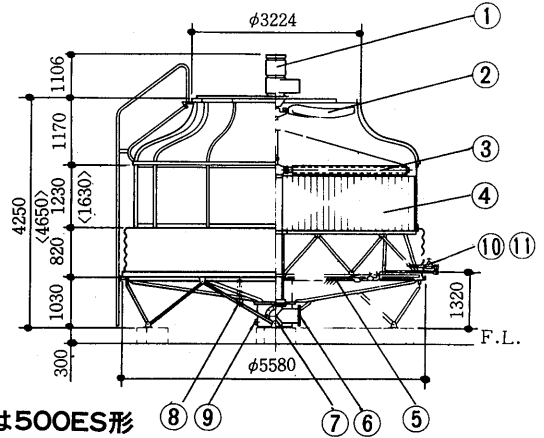
SBC-225ES ~ 1000ES

- | | | |
|-----------|---------------|-------------|
| 電動機.....① | 消音マット.....⑤ | ドレン.....⑨ |
| 送風機.....② | 循環水入口.....⑥ | 自動給水口.....⑩ |
| 散水管.....③ | 循環水出口.....⑦ | 急速給水口.....⑪ |
| 充填材.....④ | オーバーフロー.....⑧ | |

SBC-225ES・250ES・300ES・350ES形

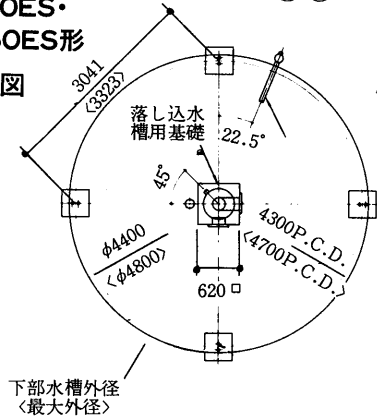


SBC-400ES・500ES形



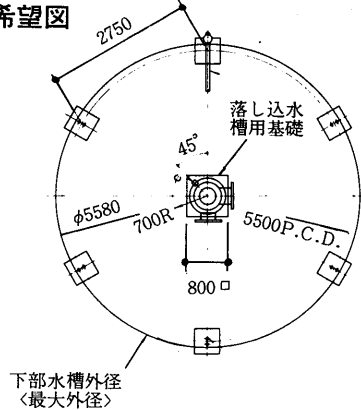
● < >内は300ES・350ES形

基礎希望図

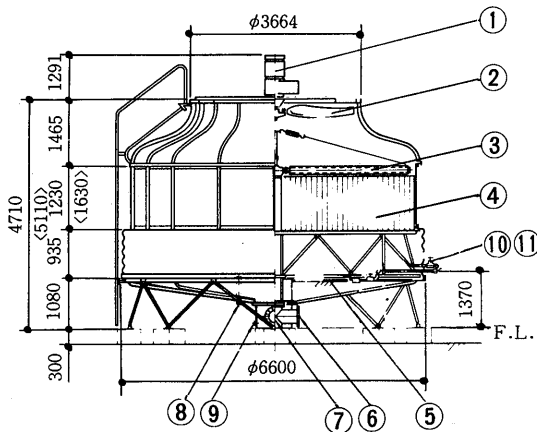


● < >内は500ES形

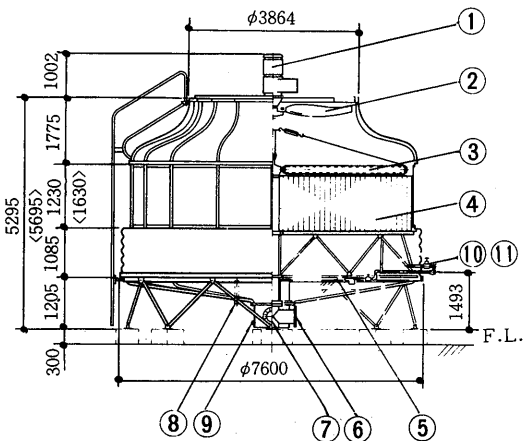
基礎希望図



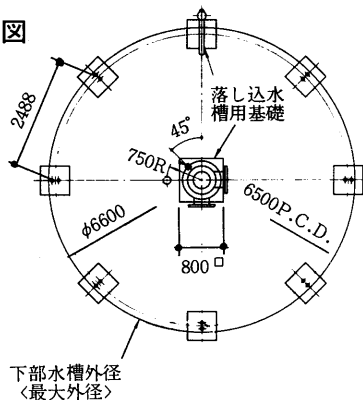
SBC-600ES・700ES形



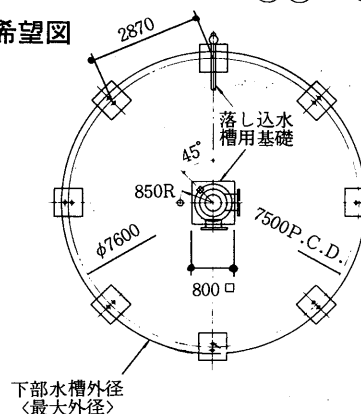
SBC-800ES・1000ES形



基礎希望図

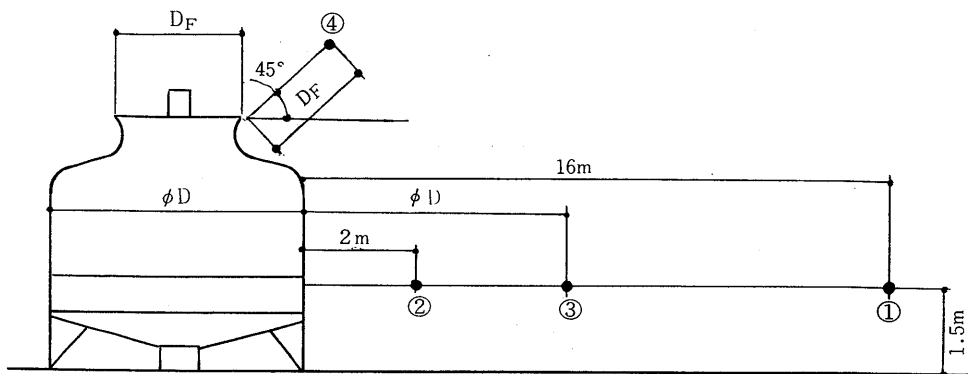


基礎希望図



(3)音響値

測定点



- 注 1. 測定点①はファン吹出口端より水平に45°の角度をもって、吹出口直径 $\langle D_F \rangle$ と等しい距離だけ離れた位置とする。但し、 D_F が1.5m未満のときは1.5mの距離で測定する。
 2. 測定点③は冷却塔胴径 $\langle \phi D \rangle$ だけ離し、高さを1.5mの位置とする。但し、 ϕD が1.5m未満のときは1.5mの距離で測定する。
 3. ①および③の測定点は日本冷却塔工業会の騒音測定基準による。

(1)SBC-ESS形

音の大きさ<ホン数>

Aスケール

| 形名 SBC-ESS | 測定点 | | | | 形名 SBC-ESS | 測定点 | | | | 形名 SBC-ESS | 測定点 | | | |
|---------------|------|------|------|------|---------------|------|------|------|------|---------------|------|----|----|------|
| | ① | ② | ③ | ④ | | ① | ② | ③ | ④ | | ① | ② | ③ | ④ |
| 3 | 27* | 38 | 39.5 | 41.5 | 15 | 33.5 | 43.5 | 44.5 | 49.5 | 50 | 41 | 51 | 51 | 57 |
| 5 | 29* | 39 | 40.5 | 43 | 20 | 36 | 46 | 47 | 52 | 60 | 42.5 | 53 | 53 | 59.5 |
| 8 | 32.5 | 42.5 | 43.5 | 47 | 30 | 38 | 48.5 | 49.5 | 55.5 | 80 | 43.5 | 54 | 54 | 60.5 |
| 10 | 33 | 43 | 44.5 | 48 | 40 | 39 | 49.5 | 50.5 | 56 | | | | | |

- この表は50Hz地区の数値です。60Hz地区ではSBC-3ESS~20ESS形は、本表より約3ホン増加します。
- SBC-30ESS~80ESS形は50Hz・60Hz地区とも同じ数値です。
- ※測定点①は一部計算値にて算出しております

(2)SBC-ES形

音の大きさ<ホン数>

Aスケール

| 形名 SBC-ES | 測定点 | | | | 形名 SBC-ESS | 測定点 | | | | 形名 SBC-ESS | 測定点 | | | |
|--------------|------|------|------|------|---------------|------|------|------|------|---------------|-----|------|----|----|
| | ① | ② | ③ | ④ | | ① | ② | ③ | ④ | | ① | ② | ③ | ④ |
| 100 | 47 | 60.5 | 60 | 66 | 225 | 52 | 64 | 62 | 68 | 500 | 58 | 68.5 | 65 | 72 |
| 125 | 48 | 61.5 | 60.5 | 67.5 | 250 | 52 | 64 | 62 | 68 | 600 | 59 | 69.5 | 66 | 73 |
| 150 | 51.5 | 63 | 61.5 | 68.5 | 300 | 51.5 | 64.5 | 61.5 | 68.5 | 700 | 59 | 69.5 | 66 | 73 |
| 175 | 51.5 | 65.5 | 64 | 71 | 350 | 51.5 | 64.5 | 61.5 | 68.5 | 800 | 59 | 71 | 66 | 73 |
| 200 | 52 | 64 | 62.5 | 71 | 400 | 58 | 68.5 | 65 | 72 | 1000 | 60 | 72 | 67 | 74 |

(3)SBC-E形

音の大きさ<ホン数>

Aスケール

| 形名 SBC-E | 測定点 | | | | 形名 SBC-E | 測定点 | | | | 形名 SBC-E | 測定点 | | | |
|-------------|------|------|------|----|-------------|-----|------|------|------|-------------|------|------|------|------|
| | ① | ② | ③ | ④ | | ① | ② | ③ | ④ | | ① | ② | ③ | ④ |
| 3 | 45 | 56.5 | 57 | 59 | 60 | 56 | 70 | 70.5 | 75 | 300 | 59 | 74 | 70 | 77 |
| 5 | 45 | 56 | 57.5 | 59 | 80 | 58 | 73.5 | 73.5 | 79 | 350 | 59 | 74 | 70 | 77 |
| 8 | 45.5 | 55 | 56 | 60 | 100 | 57 | 68 | 67.5 | 77 | 400 | 64.5 | 74.5 | 72 | 80 |
| 10 | 47 | 56 | 57 | 61 | 125 | 61 | 71 | 70 | 81 | 500 | 64.5 | 74.5 | 72 | 80 |
| 15 | 47 | 60 | 61.5 | 63 | 150 | 59 | 72 | 70.5 | 77 | 600 | 63.5 | 72.5 | 69.5 | 77.5 |
| 20 | 48 | 62 | 63 | 67 | 175 | 62 | 75 | 73 | 80.5 | 700 | 63.5 | 72.5 | 69.5 | 77.5 |
| 30 | 58 | 67 | 68 | 73 | 200 | 64 | 72.5 | 71 | 78.5 | 800 | 65.5 | 74 | 70 | 78.5 |
| 40 | 59 | 68 | 68.5 | 74 | 225 | 62 | 71 | 67.5 | 76 | 1000 | 67 | 75 | 70 | 80 |
| 50 | 59 | 68 | 69 | 74 | 250 | 62 | 71 | 67.5 | 76 | | | | | |

- この表は50Hz地区の数値です。60Hz地区では、SBC-3E~80E形は本表より約3ホン増加します。
- SBC-100E~1000E形は50Hz・60Hz地区とも同じ数値です。

●測定値は冷却塔周囲に十分な空間をもたせて設置した場合を示します。従って、冷却塔設置条件により本測定値と異なる場合があります。

※本数値は改良のため予告なく変更することがあります。

SDC-F

6.3.2 角形

(1)仕様

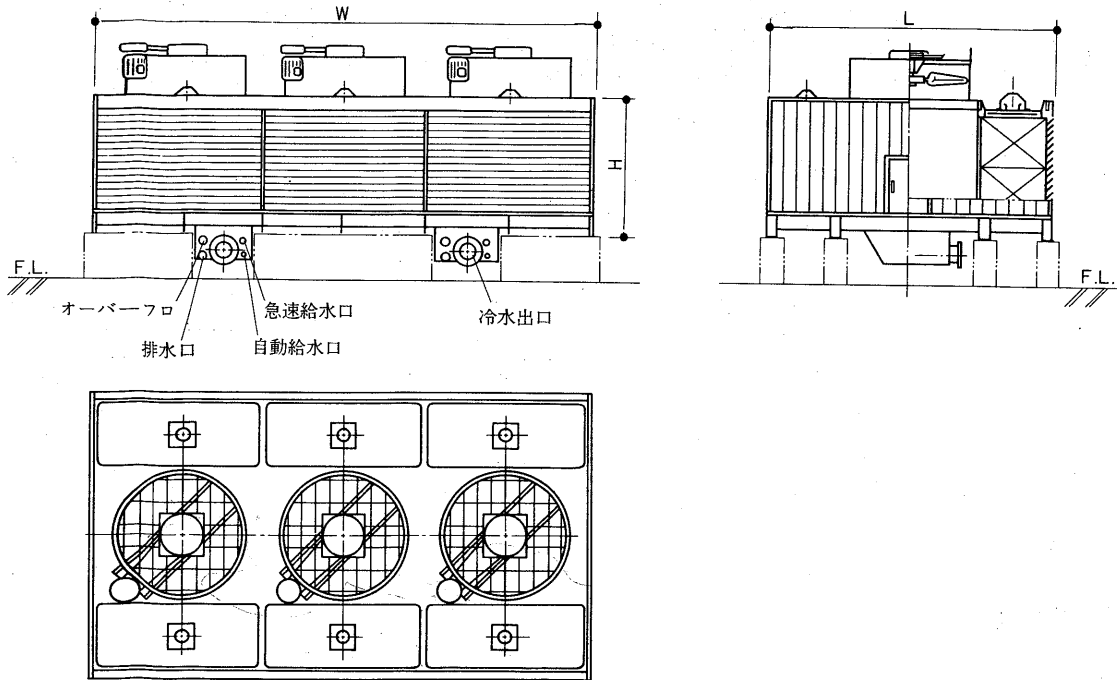
(a)低騒音形<SDC-A I形>

| 項目 形名 | 水量 ℓ/min | 外形寸法 | | | 重量 湿 kg | 電動機 出力 kW | 接続管径 | | | | | 駆動 方式 | |
|-------------|-------------|--------|--------|--------|---------------|-----------------|------|-------|-------|------------|------------------|----------|-----------|
| | | 高さ | 幅 | 奥行 | | | 循環水 | | ドレン | オーバ フロー | ボールタップ <自動給水> | | 急速 給水口 |
| | | | | | | | 入口 | 出口 | | | | | |
| SDC-100A I | 1,300 | 2,050 | 1,670 | 3,800 | 2,200 | 2.2×1 | - | 125×1 | 50×1 | 50×1 | 25×1 | 25×1 | ベルト 駆動 |
| SDC-125A I | 1,625 | 2,250 | | | 2,300 | 3.7×1 | | | | | | | |
| SDC-150A I | 1,950 | 2,050 | 1,970 | 4,200 | 3,150 | 5.5×1 | | 150×1 | 80×1 | 80×1 | 25×1 | 25×1 | |
| SDC-175A I | 2,275 | | 2,270 | | 3,550 | | | | | | | | |
| SDC-200A I | 2,600 | | 2,570 | | 3,850 | | | | | | | | |
| SDC-250A I | 3,250 | 3,170 | 4,400 | 4,750 | 7.5×1 | 200×1 | | 100×1 | 100×1 | 32×1 | 32×1 | | |
| SDC-300A I | 3,900 | 3,820 | 5,550 | 3.7×2 | | | | | | | | | |
| SDC-350A I | 4,550 | 4,420 | 4,200 | 6,400 | 5.5×2 | 250×1 | | 50×1 | 50×1 | | | | |
| SDC-400A I | 5,200 | 5,020 | 7,000 | | | | | | | | | | |
| SDC-500A I | 6,500 | 6,220 | 4,400 | 8,700 | 7.5×2 | 200×2 | | 100×2 | 100×2 | 32×2 | 32×2 | | |
| SDC-600A I | 7,800 | 2,050 | 7,470 | 4,200 | 10,800 | | | | | | | 5.5×3 | |
| SDC-700A I | 9,100 | 8,720 | 12,650 | 5.5×4 | 250×2 | 50×2 | | 50×2 | | | | | |
| SDC-800A I | 10,400 | 9,920 | 14,250 | | | | | | | | | | |
| SDC-1000A I | 13,000 | 12,320 | 4,400 | 17,300 | 7.5×5 | 250×3 | | 100×3 | 100×3 | 50×3 | 50×3 | | |
| SDC-1200A I | 15,600 | 14,820 | 20,750 | 5.5×6 | | | | | | | | | |
| SDC-1400A I | 18,200 | 17,270 | 4,200 | 23,900 | 5.5×7 | 250×4 | | 100×4 | 100×4 | 50×4 | 50×4 | | |
| SDC-1600A I | 20,800 | 19,720 | 27,550 | 5.5×8 | | | | | | | | | |
| SDC-1800A I | 23,400 | 22,170 | 30,700 | 5.5×9 | | | | | | | | | |
| SDC-2000A I | 26,000 | 24,520 | 4,400 | 34,300 | 7.5×8 | | | | | | | | |

- 注1. ポンプの揚程は配管ならびに凝縮器の抵抗に塔高を加えたもの。
 2. 冷却容量は循環水量13ℓ/min/ref.ton 外気湿球温度27℃ 入口水温37℃ 出口水温32℃の場合が設計基準です。
 3. 5.5kW以上の電動機には極力、スターデルタ始動装置の取り付けをお願いいたします。

(2)外形寸法図

(a)低騒音形〈SDC-A I形〉



注. 配管取出し方向: 500型以下は外側板側, 600型以上はルーバー側です。
寸法H・W・Lは仕様表に記載しています。

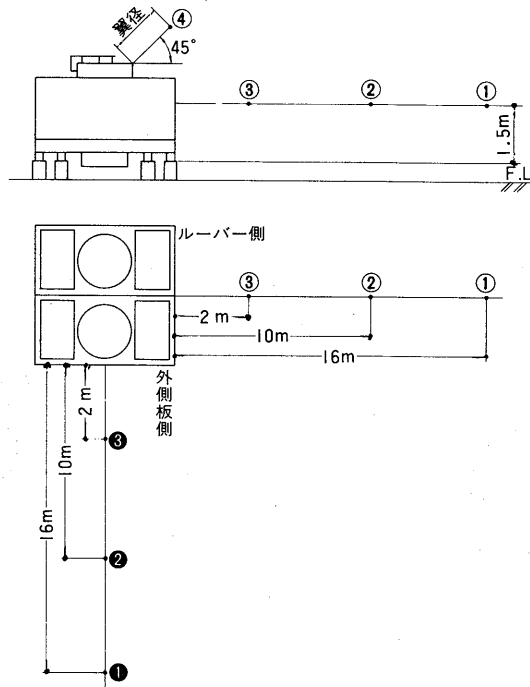
(3)音響値

SDC-A I形

音の大きさ〈ホン数〉

| 型式 SDC | 測定点 〈Aスケール〉 | | | | | | | |
|-----------|-------------|----|----|----|----|----|----|---|
| | ① | ② | ③ | ④ | ⑤ | ⑥ | ⑦ | ⑧ |
| 100A I | 47 | 44 | 51 | 47 | 60 | 55 | 66 | |
| 125A I | 48 | 45 | 52 | 48 | 61 | 56 | 67 | |
| 150A I | 50 | 47 | 54 | 50 | 63 | 58 | 68 | |
| 175A I | 53 | 50 | 57 | 53 | 65 | 61 | 71 | |
| 200A I | 53 | 50 | 57 | 52 | 65 | 60 | 71 | |
| 250A I | 52 | 49 | 56 | 52 | 65 | 60 | 69 | |
| 300A I | 53 | 50 | 57 | 52 | 65 | 60 | 70 | |
| 350A I | 56 | 52 | 60 | 55 | 68 | 62 | 73 | |
| 400A I | 56 | 52 | 60 | 55 | 68 | 62 | 73 | |
| 500A I | 56 | 52 | 59 | 55 | 68 | 61 | 71 | |
| 600A I | 58 | 54 | 61 | 56 | 69 | 63 | 73 | |
| 700A I | 60 | 55 | 63 | 57 | 71 | 63 | 74 | |
| 800A I | 59 | 55 | 62 | 57 | 70 | 63 | 74 | |
| 1000A I | 59 | 54 | 62 | 56 | 69 | 62 | 72 | |
| 1200A I | 61 | 56 | 64 | 58 | 71 | 63 | 74 | |
| 1400A I | 62 | 56 | 65 | 58 | 72 | 64 | 75 | |
| 1600A I | 62 | 56 | 65 | 58 | 72 | 64 | 75 | |
| 1800A I | 63 | 57 | 66 | 59 | 72 | 64 | 75 | |
| 2000A I | 62 | 56 | 64 | 58 | 71 | 63 | 73 | |

測定点

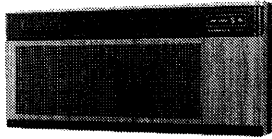


資料1 三菱ルームエアコン 〈'77年度製品〉

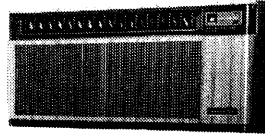
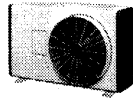
うす形 壁掛タイプ

●冷房専用〈MS形〉

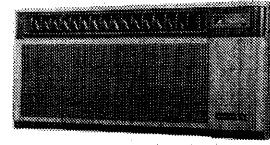
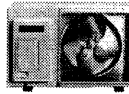
●冷房・除湿兼用〈MSD形〉



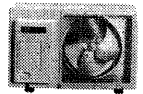
MS-18RP形



MS-18-22-28形

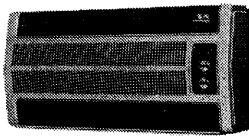


MSD-18-22形

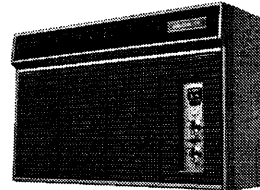
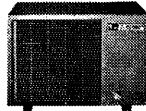


| 形名 | | MS-18RP | MS-18RN | MS-22RN | MS-22SN | MS-22RTN | MS-22RN | MS-28RN | MSD-18RN | MSD-22RN |
|------------|--------|-------------|---------|-------------|---------|--------------------|-------------|-----------|-------------|----------|
| 項目 | | | | | | | | | | |
| 電源 50/60Hz | V | 単相 100 | | | 単相200 | 内 単相100 外 三相200 | 単相 100 | | | |
| 冷房能力 | kcal/h | 1600/1800 | | 2000/2240 | | | 2500/2800 | 1600/1800 | 2000/2240 | |
| 消費電力 | W | 700/890 | 660/790 | 850/900 | | 70/80 780/910 | 850/990 | 1050/1300 | 690/800 | 850/990 |
| 外形寸法室内 | mm | 335×760×170 | | 380×850×170 | | 380×850×170 | | | | |
| 高さ×幅×奥行室外 | mm | 410×670×269 | | 445×714×339 | | | 500×722×363 | | 445×714×339 | |
| 圧縮機出力 | W | 550 | | | 600 | | 750 | 550 | 600 | |
| 送風機出力 | 室内 W | | | | 15 | | 15 | 15 | 15 | |
| | 室外 W | | | | 20 | | 40 | 20 | 20 | |
| 騒音値(強) | 室内 | ホン | 40/44 | 42/45 | 42/45 | | 44/48 | 48/45 | 42/45 | |
| | 室外 | ホン | 43/45 | 45/46 | 43/45 | | 48/50 | 45/46 | 47/48 | |
| 製品重量 | 室内 | kg | 10/ | 13 | 13 | | 14 | 13 | | |
| | 室外 | kg | 25/ | 41 | 41 | | 50 | 41 | | |
| 付属配管長さ | m | 4.2 | | | | | | | | |

壁掛タイプ〈冷房専用〉



MS-35-45-63形

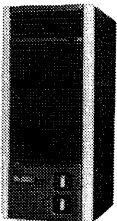


MS-45SA形

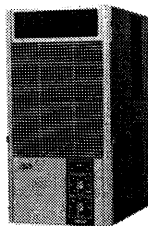


| 形名 | | MS-35SC | MS-35RTC | MS-45RTC | MS-63RTA | MS-45SA | |
|------------|--------|-------------|-------------------|-------------------|-------------------|-----------|-------------|
| 項目 | | | | | | | |
| 電源 50/60Hz | V | 単相 200 | | 内単相 100 外三相 200 | | 単相 200 | |
| 冷房能力 | kcal/h | 3150/3550 | | 4000/4500 | 5600/6300 | 4000/4500 | |
| 消費電力 | W | 1860/2200 | 160/175 1600/2000 | 160/175 2000/2400 | 300/370 4200/4620 | 2200/2600 | |
| 外形寸法室内 | mm | 430×870×294 | | | | | 485×754×275 |
| 高さ×幅×奥行室外 | mm | 516×785×470 | | | | | |
| 圧縮機出力 | W | 1100 | | 1500 | 3000 | 1500 | |
| 送風機出力 | 室内 W | 23 | | 23 | 80 | 23 | |
| | 室外 W | 40 | | 40 | 80 | 40 | |
| 騒音値(強) | 室内 | ホン 46/48 | | 46/48 | 62/62 | 47/50 | |
| | 室外 | ホン 52/53 | | 52/52 | 58/60 | 57/60 | |
| 製品重量 | 室内 | kg 21 | | 22 | 32 | 31 | |
| | 室外 | kg 67 | | 72 | 92 | 72 | |
| 付属配管長さ | m | 4.3 | | 2.3 | フレア式 | 1.4 | |

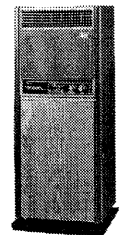
据付簡易タイプ〈冷房専用〉



MWK-14RB形



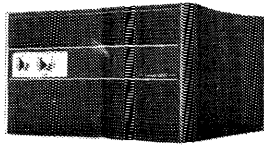
MWK-18RB形



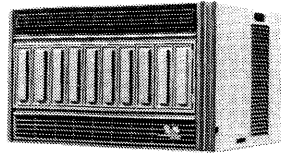
MFA-18RA形

| 形名 | | MWK-14RB | MWK-18RB | MFA-18RA |
|---------------|--------|-------------|-------------|--------------|
| 項目 | | | | |
| 電源 50/60Hz | V | 単相 100 | | |
| 冷房能力 | kcal/h | 1250/1400 | 1600/1800 | |
| 消費電力 | W | 670/ | 810/910 | 850/995 |
| 外形寸法(高さ×幅×奥行) | mm | 695×290×420 | 675×340×502 | 1170×470×366 |
| 圧縮機出力 | W | 500 | 600 | 550 |
| 送風機出力 | W | 20 | 30 | 内23/外50 |
| 騒音値(強) | 室内 | ホン | 48/ | 49/50 |
| | 室外 | ホン | 48/ | 51/53 |
| 製品重量 | kg | 31 | 38 | 68 |

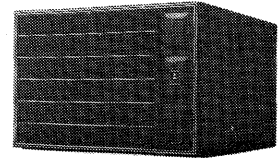
窓掛タイプ



MW-16形



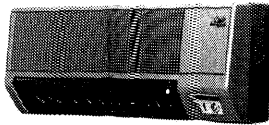
MW-22形



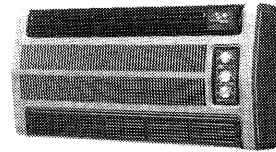
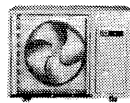
MW-35-45-63形

| 項目 | 形名 | MW-16RB | MW-22RD | MW-22SD | MW-22TD | MW-35SD | MW-35TD | MW-45SD | MWA-45TD | MW-63TA |
|----------------|--------|-------------|-------------|---------|-----------|-------------|-----------|-------------|---------------------|-------------|
| 電源 50/60Hz | V | 单相 100 | 单相 200 | 单相 200 | 三相 200 | 单相 200 | 三相 200 | 单相 200 | 三相 200 | 三相 200 |
| 冷房能力 | kcal/h | 1400/1600 | 2000/2240 | | 3150/3550 | | 4000/4500 | | 5600/6300 | |
| 消費電力 | W | 850/990 | 1100/1300 | | 1050/1250 | | 2030/2550 | | 2560/2950/2260/2870 | |
| 外形寸法 (高さ×幅×奥行) | mm | 345×557×464 | 345×555×519 | | | 483×690×746 | | 483×690×746 | | 483×690×871 |
| 圧縮機出力 | W | 600 | 750 | | 1100 | | 1500 | | 2200 | |
| 送風機出力 | W | 45 | 60 | | 120 | | 180 | | 180 | |
| 騒音値(強) | 室内 | ホン 54/54 | 54/54 | 54/54 | 54/54 | 58/61 | 58/61 | 57/59 | 57/59 | 58/62 |
| | 室外 | ホン 60/57 | 60/61 | 60/61 | 60/65 | 62/65 | 62/65 | 60/63 | 66/63 | 60/64 |
| 製品重量 | kg | 45 | 48 | | 85 | 84 | 95 | | 115 | |

壁掛タイプ<ヒートポンプ式>



MSH-22形



MSH-35-45形

| 項目 | 形名 | MSH-22RC | MSH-22SC | MSH-22RTC | MSH-35SC | MSH-35TC | MSH-45TC |
|------------|---------|-------------|----------|--------------------|-------------|-----------|-----------|
| 電源 50/60Hz | V | 单相 100 | 单相 200 | 内单相100,外三相200 | 单相 200 | 三相 200 | 三相 200 |
| 能力 | 冷房 | 2000/2240 | | | 3150/3550 | | 4000/4500 |
| | 暖房 | 2650/3000 | | | 4850/5250 | | 6050/6550 |
| 消費電力 | 冷房 | 990/1180 | | 内30/110,外900/1070 | 1850/2150 | 1710/2090 | 2220/2650 |
| | 暖房 | 1430/1590 | | 内570/590,外860/1000 | 3480/3650 | 3600/3900 | 4500/4800 |
| 外形寸法 | 室内 | 360×788×277 | | | 430×870×294 | | |
| | 高さ×幅×奥行 | 500×722×300 | | | 516×785×470 | | |
| 圧縮機出力 | W | 750 | | | 1100 | | 1500 |
| 送風機出力 | 室内 | 15 | | | 23 | | 70 |
| | 室外 | 40 | | | 40 | | 40 |
| 補助電熱品 | W | 480 | | | 2000 | | 2400 |
| 騒音値(強) | 室内 | 43/48 | | | 46/49 | | 52/55 |
| | 室外 | 48/50 | | | 54/54 | | 55/56 |
| 製品重量 | 室内 | 16 | | | 30 | | 31 |
| | 室外 | 55 | | | 68 | | 83 |
| 付属配管長さ | m | 4.2 | | | 4.3 | | 2.0 |

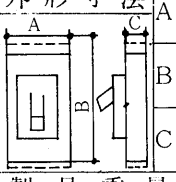
注 1. 冷房能力等はJIS規格に準拠し表示してあります。

2. 騒音値はJIS-C9612により測定。室内、室外ともに家庭用品品質表示に基き、「急」あるいは「強」を表わします。

3. セパレートタイプの製品重量は付属パイプ及び付属品なしの場合を示します。

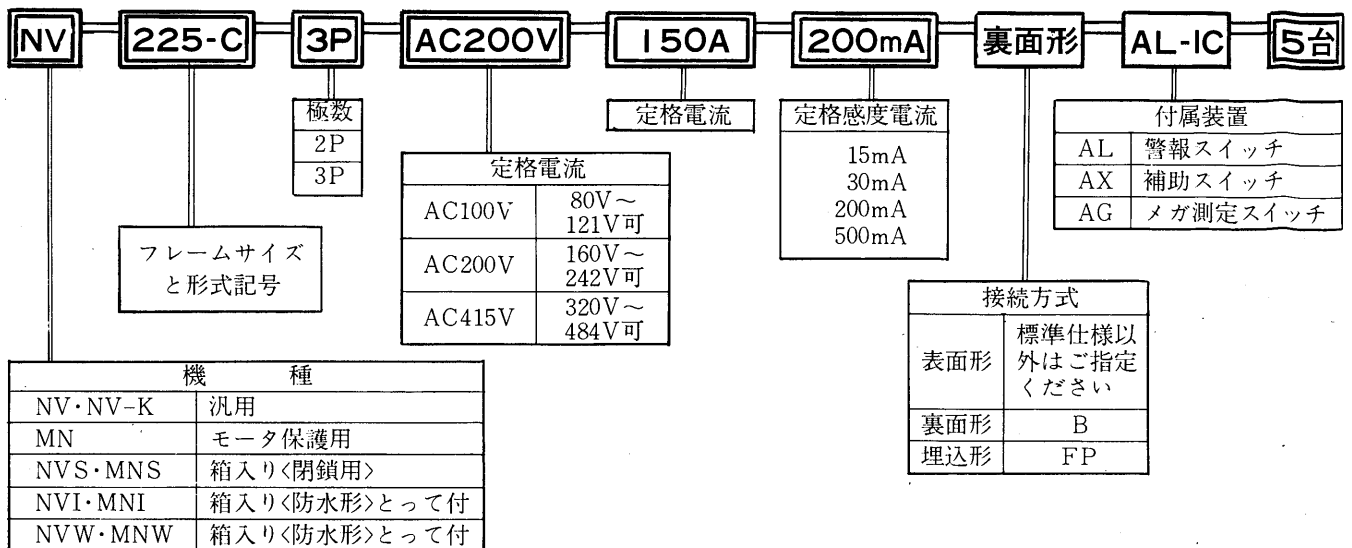
資料2 漏電しゃ断器仕様一覧表

三菱漏電しゃ断器仕様一覧表<標準シリーズ>

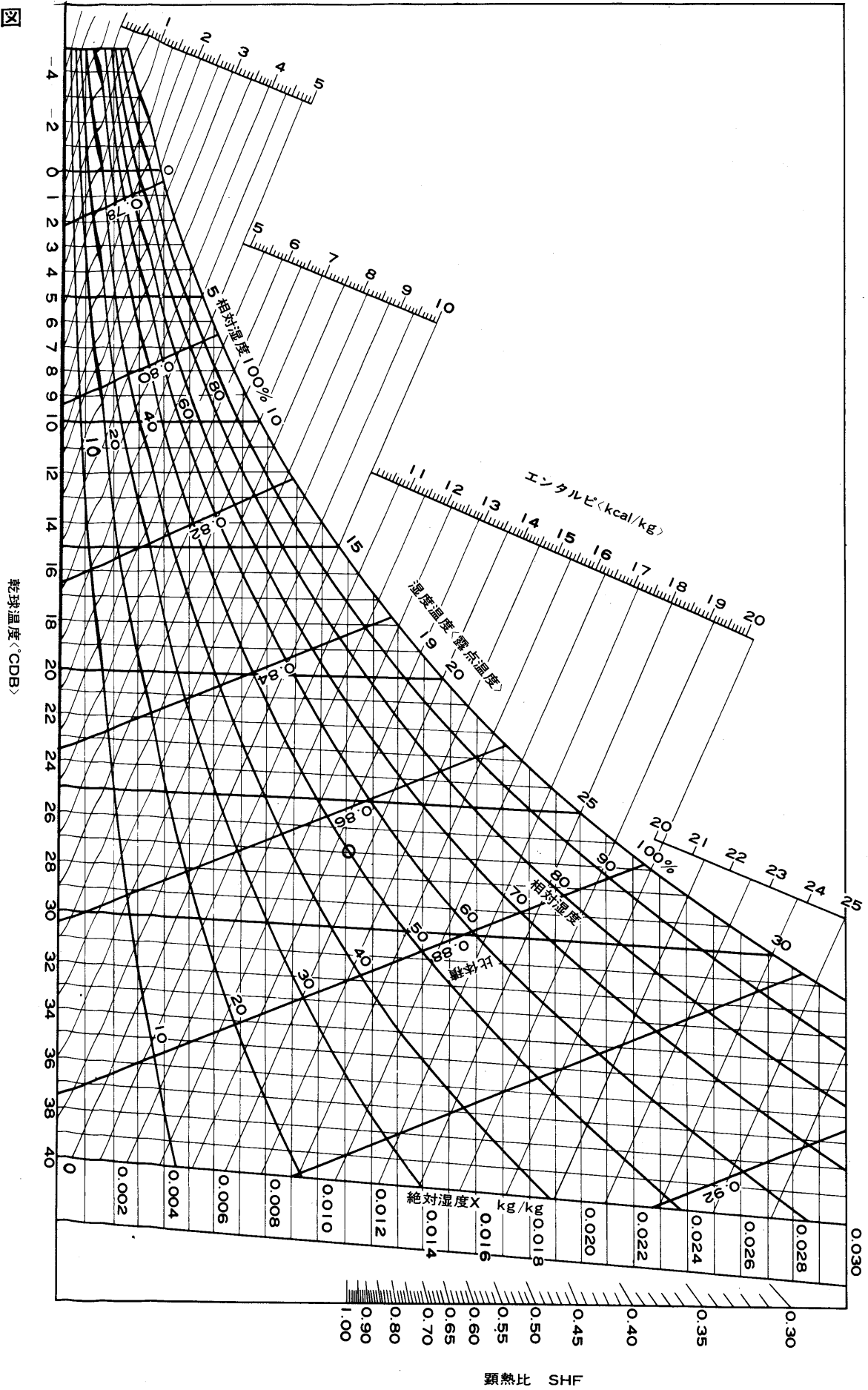
| 項目 | 形名 | 地絡保護専用品 | | 過負荷・短絡・地絡保護兼用品 | | | | | | | | |
|--|----------------------------|--------------|----------------------|--------------------------|--------------|----------------------|--|----------------------|--------------------------|----------------------------|---------|-----|
| | | NV-KF | NV-K30F | NV-1F | NV30-F | NV30-C | NV30-S | NV50-C | NV50-S | NV100-C | NV225-C | |
| フレームの大きさ | A | 30 | | | | 50 | | | 100 | | 225 | |
| 相線式 | | 单相2W | 三相3W 单相3W 单相2W | 单相2W | 单相3W | 三相3W 单相3W 单相2W | | | | | | |
| 定格電圧 <AC> | V | 100 200 | 200 | 100, 200 | 単3 200 | 200 | 100 200 415 | 200 | 100 200 415 | | | |
| 定格電流 | A | ※30 | | 15, 20, 30 | | | 15, 20, 30, <40>, 50 | | 60, 75, 100 | 12, 150, (175) 200, 225 | | |
| 定格感度電流 | mA | 15, 30 | | | 30 | | | 15, 30, <200> | | 30, 50, <200> | | |
| 動作時間 | ms以内 | 100 | | | | | | | | | | |
| 漏電引外し方式 | | 半導体式電流動作形 | | | | | | | | | | |
| 過電流引外し方式 | | 無 | | 熱動 | | 完全電磁 | | | 熱動-電磁 | | | |
| 定格しゃ断容量 | AC100V AC200V AC450V | kA | ※※1.5 | — | 1.5 | — | — | 5 | — | 5 | 10 | 25 |
| | | | ※※1.5 | ※※1.5 | 1.5 | 1.5 | 2.5 | 5 | 2.5 | 5 | 7.5 | 15 |
| | | | — | — | — | — | — | 5 | — | 5 | — | 7.5 |
| 外形寸法  | A | mm | 66 | 90 | 66 | 90 | 67 | 90 | 70 | 90 | | 105 |
| | B | mm | 70 | | | | 145 | 200 | 140 | 200 | 210 | 240 |
| | C | mm | 42 | | | | 52 | 68 | 60 | 68 | | 103 |
| 製品重量 | kg | 0.1 | 0.25 | 0.2 | 0.25 | 0.6 | 1.3 | 0.7 | 1.3 | 1.5 | 3.2 | |
| 通産省形式 認可番号 | ▽-41 | 7409 7410 | 9447 | 9472, 9473 9480, 9481 | 9482 9483 | 7415 7442 | 7415, 7442 6711, 6521 6130, 6522 | 5187 5213 5170 | 6577, 6679 6521, 6523 | 8732, 8409 8297, 8733 | 対象外 | |

- 注 1. 定格電圧100V, 200V, 400Vは共用できませんので、ご注意ください。
 2. ※は最大過電流容量を示します。
 3. < >は準標準品を示します。
 4. ※※は定格短時間電流を示します。

ご発注の方法



空気線図



昭和52年12月25日 印刷
昭和53年1月1日 発行

三菱電機冷熱ハンドブック I 空調編

発行 三菱電機株式会社 東京都千代田区丸の内2-2-3

印刷・(株)博文堂 菱電印刷株式会社