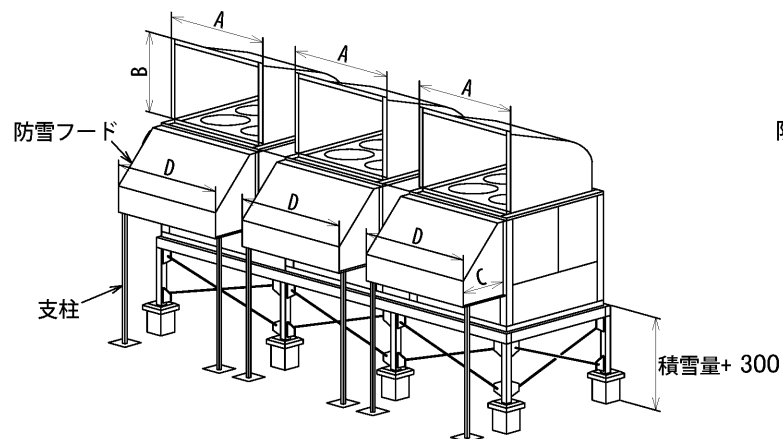
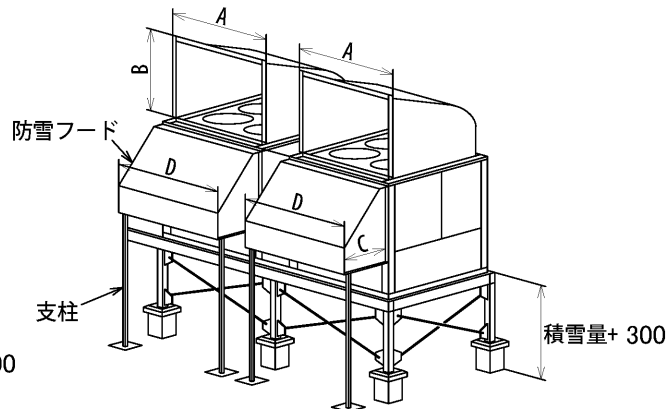


F形/FⅡ形 防雪フード参考図

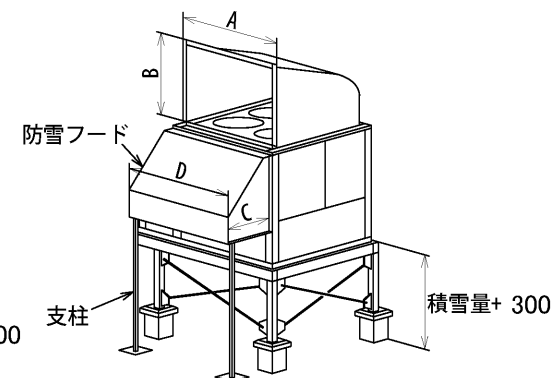
CA/CAH-P5300F形



CA/CAH-P3000FⅡ～P4750Ⅱ形
CA/CAH-P2360F～P3550F形



CA/CAH-P1180FⅡ～P2360FⅡ形
CA/CAH-P1180F～P1800F形



F形

	A	B	C	D
P1180F～P1800F	2,560	2,000	800	2,500
P2360F	1,860	↑	↑	1,800
P3000F～P3550F	2,260	↑	↑	2,200
P5300F	2,060	↑	↑	2,000

FⅡ形

	A	B	C	D
P1180FⅡ～P1500FⅡ	1,960	2,000	800	1,900
P1800FⅡ	2,360	↑	↑	2,300
P2360FⅡ	2,860	↑	↑	2,800
P3000FⅡ	1,860	↑	↑	1,800
P3550FⅡ	2,360	↑	↑	2,300
P4750FⅡ	2,710	↑	↑	2,650