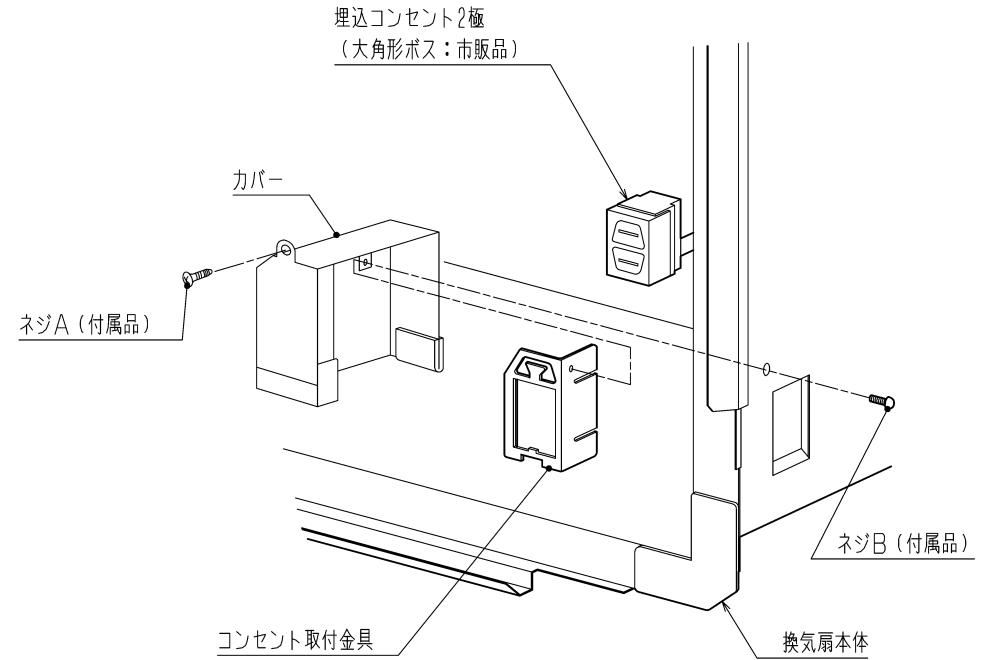


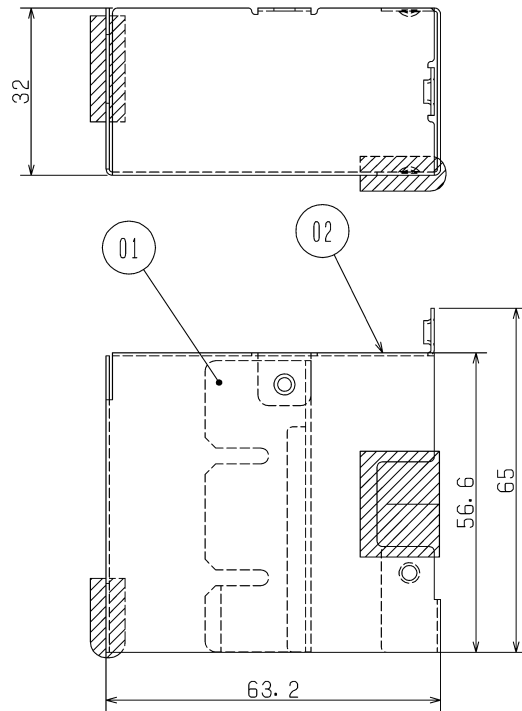
品番	品名	材質
01	コンセント取付金具	鋼板
02	カバー	鋼板
付属品：ネジA (カバー固定用) ネジB (コンセント取付金具固定用)		

取付図



- ・本体と木枠(建物開口)との間に5mmのすき間が必要です。
- ・市販の埋込コンセント2極(定格125V15A)をご用意ください。
(適用電線：単線φ1.6またはφ2, 例：VVF)

※仕様は場合により変更することがあります。



■据付適用機種

EX-20EH6	EX-25EH6	EX-30EH6	EX-20EK6-C	EX-20EK6-M	EX-25EK6-C	EX-25EK6-M
EX-30EK6-C	EX-20EF6	EX-25EF6	EX-30EF6	EX-20EFH6-M	EX-25EFH6-M	EX-30EF6-M
EX-20EX6	EX-25EX6	EX-20EX6-C	EX-25EX6-C	EX-20EMP6	EX-25EMP6	EX-30EMP6
EX-20EMP6-F	EX-25EMP6-F					
EX-20EH7	EX-25EH7	EX-30EH7	EX-20EK7-C	EX-20EK7-M	EX-25EK7-C	EX-25EK7-M
EX-30EK7-C	EX-20EF7	EX-25EF7	EX-30EF7	EX-20EFH7-M	EX-25EFH7-M	EX-30EF7-M
EX-20EX7	EX-25EX7	EX-20EX7-C	EX-25EX7-C	EX-20EMP7	EX-25EMP7	EX-30EMP7
EX-20EMP7-F	EX-25EMP7-F	EX-202EM	EX-252EM			
EX-20LH6	EX-25LH6	EX-25FH6	EX-30FH6	EX-20RH6	EX-25RH6	EX-30RH6
EX-20LP6	EX-25LP6	EX-20KJ6-BL	EX-20LK6-C	EX-20LK6-M	EX-25LK6-C	EX-25LK6-M
EX-30FK6-C	EX-20RK6-C	EX-25RK6-C	EX-30RK6-C	EX-20LF6	EX-25LF6	EX-30FF6
EX-20LFH6-M	EX-25LFH6-M	EX-30FF6-M	EX-20LX6	EX-25LX6	EX-20LX6-C	EX-25FX6-C
EX-202L	EX-252L	EX-202LF	EX-252LF	EX-20LMP6	EX-25LMP6	EX-30FMP6
EX-20LMP6-F	EX-25LMP6-F	EX-20FM6-BL	EX-202LM	EX-252LM		
EX-20LH7	EX-25LH7	EX-25FH7	EX-30FH7	EX-20RH7	EX-25RH7	EX-30RH7
EX-20LK7-C	EX-20LK7-M	EX-25LK7-C	EX-25LK7-M			
EX-30FK7-C	EX-20RK7-C	EX-25RK7-C	EX-30RK7-C	EX-20LF7	EX-25LF7	EX-30FF7
EX-20LFH7-M	EX-25LFH7-M	EX-30FF7-M	EX-20LX7	EX-25LX7	EX-20LX7-C	EX-25FX7-C
EX-20LMP7	EX-25LMP7	EX-30FMP7	EX-20LMP7-F	EX-25LMP7-F		
EX-20SH6	EX-25SH6	EX-30SH6	EX-20SK6-C	EX-25SK6-C	EX-30SK6-C	
EX-20SH7	EX-25SH7	EX-30SH7	EX-20SK7-C	EX-25SK7-C	EX-30SK7-C	

第3角図法	 三菱電機株式会社	形名	標準換気扇用コンセント取付金具 P-1X2
作成日付	17-06-23	整理番号	NB013042C 1/1