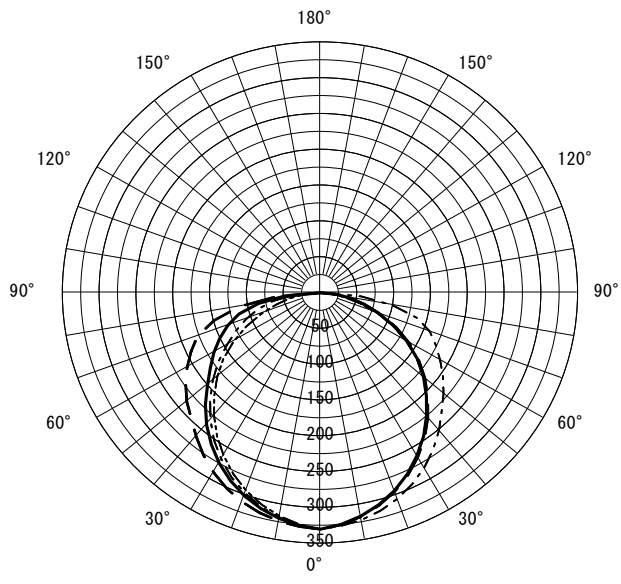


|        |                    |    |  |      |
|--------|--------------------|----|--|------|
| 形名     | AZ-B21500BM/8 AHZF | 電源 |  | ○諸特性 |
| 出力     | 連調調色               | 温度 |  |      |
| モード    | 森の昼空*フレーム部75%      |    |  |      |
| オプション1 | AZ-XP0002          |    |  |      |
| オプション2 |                    |    |  |      |
| オプション3 |                    |    |  |      |
| オプション4 |                    |    |  |      |
| オプション5 |                    |    |  |      |



|                |      |       |        |        |       |    |       |
|----------------|------|-------|--------|--------|-------|----|-------|
| 光源             |      | LED   |        |        |       |    |       |
| 最大<br>取付<br>間隔 | 高さ   | H     |        |        |       |    |       |
|                | A-A' | 0.0 H |        |        |       |    |       |
|                | B-B' | 0.0 H |        |        |       |    |       |
| 器具効率           |      | 上方光束  | 下方光束   | 計      |       |    |       |
|                |      | 0.0%  | 100.0% | 100.0% |       |    |       |
| 保守率            |      | 良い    | 0.810  | 普通     | 0.770 | 悪い | 0.680 |

○配光曲線図 (cd/1000lm)



○直射水平面照度 (全光束：0 × 1 = 0lm/台)



| 反射率 (%) |                |     |     |     |     |     |     |    |     |     |     |     |     |    |     |    |     |     |     |    |     |    |     |    |     |    |     |    |     |    |    |    |    |    |   |
|---------|----------------|-----|-----|-----|-----|-----|-----|----|-----|-----|-----|-----|-----|----|-----|----|-----|-----|-----|----|-----|----|-----|----|-----|----|-----|----|-----|----|----|----|----|----|---|
| 天井      | 80             |     |     |     |     |     |     |    | 70  |     |     |     | 50  |    |     |    | 30  |     |     |    | 20  | 0  |     |    |     |    |     |    |     |    |    |    |    |    |   |
| 壁       | 70             | 50  | 30  | 10  | 70  | 50  | 30  | 10 | 70  | 50  | 30  | 10  | 70  | 50 | 30  | 10 | 70  | 50  | 30  | 10 | 10  | 0  |     |    |     |    |     |    |     |    |    |    |    |    |   |
| 床       | 30             | 10  | 30  | 10  | 30  | 10  | 30  | 10 | 30  | 10  | 30  | 10  | 30  | 10 | 30  | 10 | 30  | 10  | 30  | 10 | 30  | 10 | 30  | 10 | 30  | 10 | 30  | 10 | 30  | 10 | 30 | 10 | 30 | 10 | 0 |
| 室指数     | 作業面照度率 (×0.01) |     |     |     |     |     |     |    |     |     |     |     |     |    |     |    |     |     |     |    |     |    |     |    |     |    |     |    |     |    |    |    |    |    |   |
| 0.60    | 61             | 56  | 46  | 44  | 37  | 36  | 31  | 30 | 59  | 55  | 45  | 43  | 36  | 35 | 30  | 30 | 56  | 52  | 44  | 42 | 36  | 35 | 30  | 30 | 53  | 50 | 42  | 41 | 35  | 34 | 30 | 30 | 30 | 28 |   |
| 0.80    | 73             | 66  | 58  | 54  | 48  | 46  | 41  | 40 | 70  | 64  | 56  | 53  | 47  | 46 | 41  | 40 | 66  | 62  | 54  | 52 | 46  | 45 | 40  | 40 | 62  | 59 | 52  | 51 | 45  | 44 | 40 | 39 | 39 | 37 |   |
| 1.00    | 81             | 72  | 66  | 61  | 56  | 53  | 49  | 47 | 78  | 71  | 65  | 60  | 55  | 53 | 49  | 47 | 73  | 68  | 62  | 59 | 54  | 52 | 48  | 47 | 69  | 65 | 60  | 57 | 53  | 51 | 47 | 46 | 46 | 44 |   |
| 1.25    | 88             | 78  | 74  | 68  | 65  | 61  | 57  | 55 | 85  | 77  | 73  | 67  | 64  | 60 | 57  | 54 | 80  | 74  | 69  | 65 | 62  | 59 | 56  | 54 | 75  | 71 | 67  | 64 | 60  | 58 | 55 | 54 | 53 | 51 |   |
| 1.50    | 94             | 83  | 81  | 73  | 71  | 66  | 64  | 60 | 91  | 81  | 79  | 72  | 70  | 65 | 63  | 60 | 85  | 78  | 75  | 70 | 68  | 64 | 62  | 59 | 79  | 75 | 72  | 68 | 65  | 63 | 60 | 59 | 59 | 56 |   |
| 2.00    | 102            | 88  | 90  | 81  | 81  | 74  | 74  | 69 | 98  | 87  | 88  | 79  | 80  | 73 | 73  | 68 | 91  | 83  | 83  | 77 | 76  | 72 | 71  | 68 | 86  | 81 | 79  | 75 | 73  | 71 | 69 | 67 | 66 | 64 |   |
| 2.50    | 107            | 92  | 97  | 85  | 88  | 80  | 82  | 75 | 103 | 90  | 94  | 84  | 86  | 79 | 80  | 74 | 96  | 87  | 89  | 82 | 83  | 77 | 77  | 73 | 90  | 84 | 84  | 80 | 79  | 76 | 75 | 72 | 72 | 70 |   |
| 3.00    | 110            | 95  | 101 | 89  | 94  | 84  | 88  | 79 | 106 | 93  | 98  | 88  | 92  | 83 | 86  | 79 | 99  | 90  | 93  | 85 | 87  | 81 | 82  | 78 | 93  | 87 | 88  | 83 | 83  | 80 | 79 | 76 | 76 | 74 |   |
| 4.00    | 115            | 98  | 108 | 93  | 101 | 89  | 96  | 85 | 111 | 96  | 104 | 92  | 99  | 88 | 94  | 85 | 103 | 93  | 98  | 90 | 93  | 86 | 89  | 83 | 97  | 91 | 93  | 88 | 89  | 85 | 86 | 82 | 81 | 79 |   |
| 5.00    | 118            | 100 | 112 | 96  | 106 | 93  | 101 | 89 | 114 | 99  | 108 | 95  | 103 | 92 | 99  | 89 | 106 | 96  | 102 | 93 | 98  | 90 | 94  | 87 | 99  | 93 | 96  | 90 | 93  | 88 | 90 | 86 | 85 | 83 |   |
| 7.00    | 122            | 102 | 117 | 99  | 113 | 97  | 109 | 94 | 117 | 101 | 113 | 98  | 109 | 96 | 106 | 93 | 109 | 98  | 106 | 96 | 103 | 94 | 100 | 92 | 102 | 96 | 99  | 94 | 97  | 92 | 95 | 90 | 89 | 87 |   |
| 10.00   | 125            | 104 | 121 | 102 | 118 | 100 | 115 | 98 | 120 | 103 | 117 | 101 | 114 | 99 | 111 | 97 | 111 | 100 | 109 | 99 | 107 | 97 | 105 | 95 | 104 | 98 | 102 | 96 | 101 | 95 | 99 | 94 | 93 | 91 |   |

JIS C 8030:2014

三菱電機照明株式会社