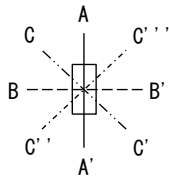
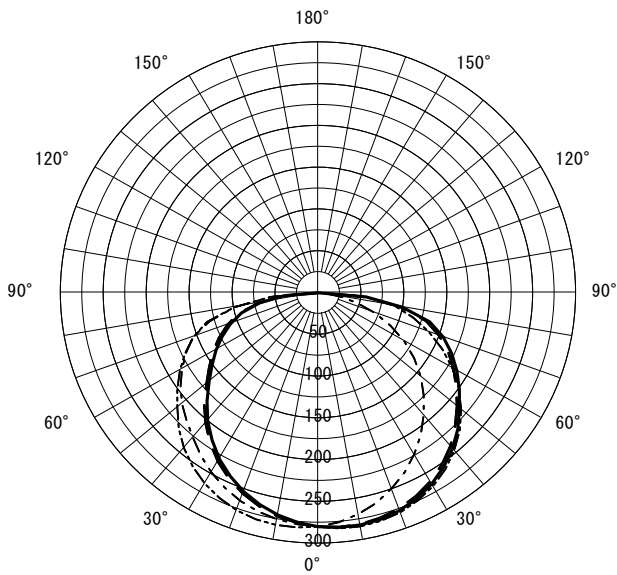


|        |                    |    |  |      |
|--------|--------------------|----|--|------|
| 形名     | AZ-B21501BM/8 AHZS | 電源 |  | ○諸特性 |
| 出力     | 連調調色               | 温度 |  |      |
| モード    | 海の昼空*フレーム部100%     |    |  |      |
| オプション1 |                    |    |  |      |
| オプション2 |                    |    |  |      |
| オプション3 |                    |    |  |      |
| オプション4 |                    |    |  |      |
| オプション5 |                    |    |  |      |



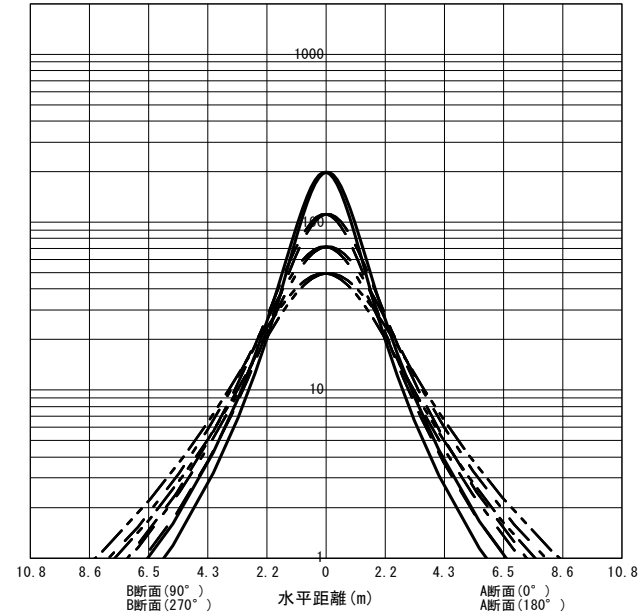
|        |      |       |        |        |       |    |       |
|--------|------|-------|--------|--------|-------|----|-------|
| 光源     |      | LED   |        |        |       |    |       |
| 最大取付間隔 | 高さ   | H     |        |        |       |    |       |
|        | A-A' | 1.3 H |        |        |       |    |       |
|        | B-B' | 1.3 H |        |        |       |    |       |
| 器具効率   |      | 上方光束  | 下方光束   | 計      |       |    |       |
|        |      | 0.0%  | 100.0% | 100.0% |       |    |       |
| 保守率    |      | 良い    | 0.810  | 普通     | 0.770 | 悪い | 0.680 |

○配光曲線図 (cd/1000lm)



○直射水平面照度 (全光束 : 1600 × 1 = 1600lm/台)

照度 (lx) — H1.50m --- H2.00m - - - H2.50m - · - · H3.00m (保守率 : 1.00)



| 反射率 (%) |                 |     |     |     |     |    |     |    |     |     |     |     |     |    |     |    |     |     |     |    |     |    |     |    |     |    |     |    |     |    |    |    |    |    |    |    |    |    |    |    |    |   |
|---------|-----------------|-----|-----|-----|-----|----|-----|----|-----|-----|-----|-----|-----|----|-----|----|-----|-----|-----|----|-----|----|-----|----|-----|----|-----|----|-----|----|----|----|----|----|----|----|----|----|----|----|----|---|
| 天井      | 80              |     |     |     |     |    |     |    | 70  |     |     |     |     |    |     |    | 50  |     |     |    |     |    |     |    | 30  |    |     |    |     |    |    |    | 20 | 0  |    |    |    |    |    |    |    |   |
| 壁       | 70              | 50  | 30  | 10  | 70  | 50 | 30  | 10 | 70  | 50  | 30  | 10  | 70  | 50 | 30  | 10 | 70  | 50  | 30  | 10 | 70  | 50 | 30  | 10 | 70  | 50 | 30  | 10 | 10  | 0  |    |    |    |    |    |    |    |    |    |    |    |   |
| 床       | 30              | 10  | 30  | 10  | 30  | 10 | 30  | 10 | 30  | 10  | 30  | 10  | 30  | 10 | 30  | 10 | 30  | 10  | 30  | 10 | 30  | 10 | 30  | 10 | 30  | 10 | 30  | 10 | 30  | 10 | 30 | 10 | 30 | 10 | 30 | 10 | 30 | 10 | 30 | 10 | 10 | 0 |
| 室指数     | 作業面照明率 (× 0.01) |     |     |     |     |    |     |    |     |     |     |     |     |    |     |    |     |     |     |    |     |    |     |    |     |    |     |    |     |    |    |    |    |    |    |    |    |    |    |    |    |   |
| 0.60    | 59              | 54  | 43  | 41  | 34  | 33 | 28  | 27 | 57  | 53  | 43  | 41  | 34  | 33 | 28  | 27 | 54  | 50  | 41  | 40 | 33  | 32 | 27  | 27 | 51  | 48 | 40  | 38 | 32  | 32 | 27 | 27 | 27 | 25 |    |    |    |    |    |    |    |   |
| 0.80    | 70              | 64  | 55  | 52  | 45  | 43 | 38  | 37 | 68  | 62  | 54  | 51  | 44  | 43 | 38  | 37 | 64  | 59  | 52  | 49 | 43  | 42 | 37  | 37 | 60  | 57 | 50  | 48 | 42  | 41 | 37 | 36 | 36 | 34 |    |    |    |    |    |    |    |   |
| 1.00    | 78              | 71  | 63  | 59  | 53  | 50 | 46  | 44 | 76  | 69  | 62  | 58  | 52  | 50 | 45  | 44 | 71  | 66  | 59  | 56 | 51  | 49 | 44  | 43 | 67  | 63 | 57  | 55 | 49  | 48 | 44 | 43 | 43 | 41 |    |    |    |    |    |    |    |   |
| 1.25    | 86              | 77  | 72  | 66  | 61  | 58 | 54  | 51 | 83  | 75  | 70  | 65  | 60  | 57 | 53  | 51 | 78  | 71  | 67  | 63 | 59  | 56 | 52  | 51 | 73  | 68 | 64  | 61 | 57  | 55 | 51 | 50 | 50 | 48 |    |    |    |    |    |    |    |   |
| 1.50    | 92              | 81  | 78  | 71  | 68  | 63 | 60  | 57 | 88  | 79  | 76  | 70  | 67  | 63 | 60  | 57 | 82  | 76  | 72  | 68 | 64  | 61 | 58  | 56 | 77  | 73 | 69  | 66 | 62  | 60 | 57 | 56 | 55 | 53 |    |    |    |    |    |    |    |   |
| 2.00    | 100             | 87  | 88  | 78  | 78  | 71 | 71  | 66 | 96  | 85  | 85  | 77  | 77  | 71 | 70  | 65 | 89  | 82  | 81  | 75 | 74  | 69 | 68  | 65 | 84  | 79 | 77  | 73 | 71  | 68 | 66 | 64 | 63 | 61 |    |    |    |    |    |    |    |   |
| 2.50    | 105             | 91  | 94  | 83  | 86  | 77 | 79  | 72 | 101 | 89  | 92  | 82  | 84  | 76 | 77  | 71 | 94  | 86  | 86  | 80 | 80  | 75 | 74  | 70 | 88  | 83 | 82  | 78 | 76  | 73 | 72 | 70 | 69 | 67 |    |    |    |    |    |    |    |   |
| 3.00    | 109             | 93  | 99  | 87  | 91  | 81 | 85  | 77 | 105 | 92  | 96  | 86  | 89  | 81 | 83  | 76 | 97  | 88  | 91  | 83 | 85  | 79 | 80  | 75 | 91  | 85 | 86  | 81 | 81  | 77 | 77 | 74 | 73 | 71 |    |    |    |    |    |    |    |   |
| 4.00    | 114             | 97  | 106 | 92  | 99  | 87 | 93  | 83 | 110 | 95  | 103 | 91  | 97  | 86 | 91  | 82 | 102 | 92  | 96  | 88 | 91  | 84 | 87  | 81 | 95  | 89 | 91  | 86 | 87  | 83 | 83 | 80 | 79 | 77 |    |    |    |    |    |    |    |   |
| 5.00    | 117             | 99  | 110 | 95  | 105 | 91 | 99  | 87 | 113 | 98  | 107 | 94  | 101 | 90 | 97  | 87 | 105 | 95  | 100 | 91 | 96  | 88 | 92  | 85 | 98  | 92 | 94  | 89 | 91  | 86 | 88 | 84 | 83 | 81 |    |    |    |    |    |    |    |   |
| 7.00    | 121             | 102 | 116 | 99  | 111 | 95 | 107 | 93 | 116 | 100 | 112 | 97  | 108 | 94 | 104 | 92 | 108 | 97  | 105 | 95 | 101 | 93 | 98  | 90 | 101 | 95 | 98  | 93 | 96  | 91 | 93 | 89 | 88 | 86 |    |    |    |    |    |    |    |   |
| 10.00   | 124             | 104 | 120 | 101 | 117 | 99 | 113 | 97 | 119 | 102 | 116 | 100 | 113 | 98 | 110 | 96 | 111 | 100 | 108 | 98 | 106 | 96 | 103 | 94 | 103 | 97 | 101 | 96 | 100 | 94 | 98 | 93 | 92 | 90 |    |    |    |    |    |    |    |   |

JIS C 8030:2014

三菱電機照明株式会社