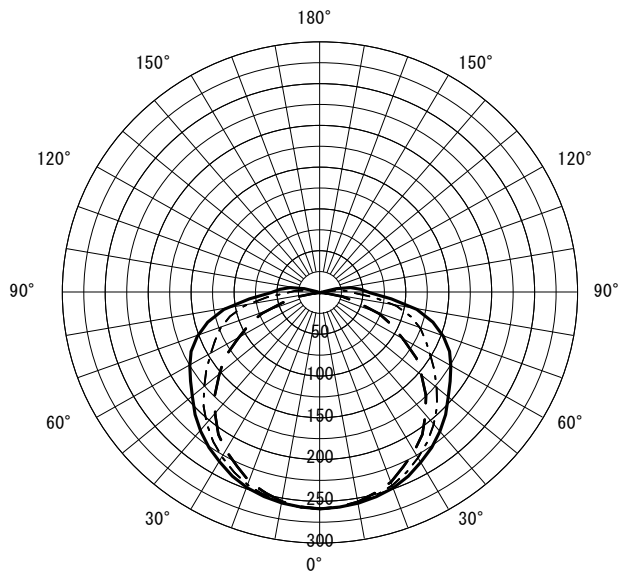


| | | | | |
|--------|---------------------|----|-----|------|
| 形名 | EL-LF-HH4532A/2 AHN | 電源 | | ○諸特性 |
| 出力 | 固定出力 | 温度 | | |
| モード | | | | |
| オプション1 | | | 通常時 | |
| オプション2 | | | | |
| オプション3 | | | | |
| オプション4 | | | | |
| オプション5 | | | | |

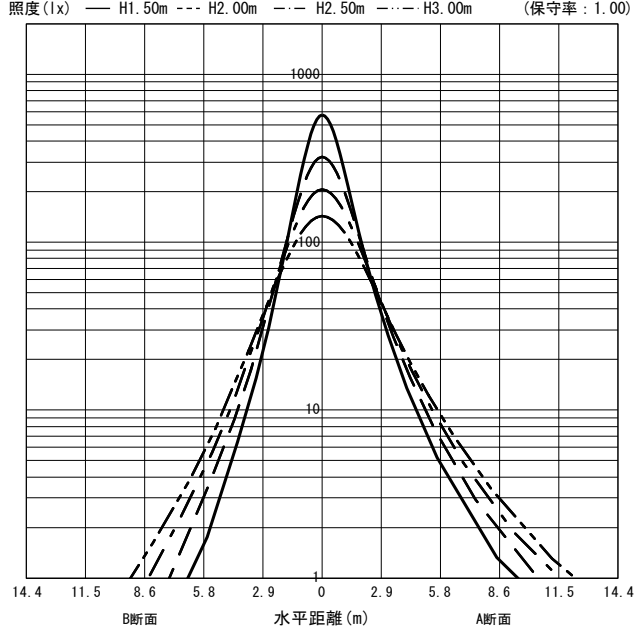


| | | | | | | | |
|----------------|------|-------------------|-------|-------|-------|----|-------|
| 光源 | | LDL40T-N/17/25-G3 | | | | | |
| 最大 取付 間隔 | 高さ | H | | | | | |
| | A-A' | 1.4 H | | | | | |
| | B-B' | 1.3 H | | | | | |
| 器具効率 | | 上方光束 | 下方光束 | 計 | | | |
| | | 3.6% | 92.7% | 96.3% | | | |
| 保守率 | | 良い | 0.880 | 普通 | 0.860 | 悪い | 0.810 |

○配光曲線図 (cd/1000lm)



○直射水平面照度 (全光束: 2500 × 2 = 5000lm/台)



| 反射率 (%) | | | | | | | | | | | | | | | | | | | | | | | | | | | | | | | | | | | | | | | | | | |
|---------|-----------------|----|-----|----|-----|----|-----|----|-----|----|-----|----|-----|----|-----|----|-----|----|-----|----|----|----|----|----|----|----|----|----|----|----|----|----|----|----|----|----|----|----|----|----|----|---|
| 天井 | 80 | | | | | | | | 70 | | | | | | | | 50 | | | | | | | | 30 | | | | | | | | 20 | 0 | | | | | | | | |
| 壁 | 70 | 50 | 30 | 10 | 70 | 50 | 30 | 10 | 70 | 50 | 30 | 10 | 70 | 50 | 30 | 10 | 70 | 50 | 30 | 10 | 70 | 50 | 30 | 10 | 70 | 50 | 30 | 10 | 10 | 0 | | | | | | | | | | | | |
| 床 | 30 | 10 | 30 | 10 | 30 | 10 | 30 | 10 | 30 | 10 | 30 | 10 | 30 | 10 | 30 | 10 | 30 | 10 | 30 | 10 | 30 | 10 | 30 | 10 | 30 | 10 | 30 | 10 | 30 | 10 | 30 | 10 | 30 | 10 | 30 | 10 | 30 | 10 | 30 | 10 | 10 | 0 |
| 室指数 | 作業面照明率 (× 0.01) | | | | | | | | | | | | | | | | | | | | | | | | | | | | | | | | | | | | | | | | | |
| 0.60 | 56 | 52 | 41 | 39 | 32 | 31 | 26 | 26 | 54 | 50 | 40 | 39 | 32 | 31 | 26 | 26 | 51 | 47 | 39 | 37 | 31 | 30 | 26 | 25 | 47 | 45 | 37 | 36 | 30 | 30 | 25 | 25 | 25 | 23 | | | | | | | | |
| 0.80 | 67 | 61 | 52 | 49 | 42 | 41 | 36 | 35 | 65 | 59 | 51 | 48 | 42 | 40 | 35 | 35 | 60 | 56 | 48 | 46 | 41 | 39 | 35 | 34 | 56 | 53 | 46 | 45 | 39 | 38 | 34 | 34 | 33 | 31 | | | | | | | | |
| 1.00 | 75 | 67 | 60 | 56 | 50 | 48 | 43 | 41 | 72 | 65 | 58 | 55 | 49 | 47 | 42 | 41 | 67 | 62 | 55 | 53 | 48 | 46 | 41 | 41 | 62 | 58 | 53 | 51 | 46 | 45 | 41 | 40 | 40 | 37 | | | | | | | | |
| 1.25 | 82 | 73 | 68 | 62 | 58 | 54 | 51 | 48 | 79 | 71 | 66 | 61 | 57 | 54 | 50 | 48 | 73 | 67 | 62 | 59 | 55 | 52 | 49 | 47 | 68 | 64 | 59 | 57 | 53 | 51 | 47 | 46 | 46 | 43 | | | | | | | | |
| 1.50 | 87 | 77 | 74 | 67 | 64 | 60 | 57 | 54 | 84 | 75 | 72 | 66 | 63 | 59 | 56 | 53 | 77 | 71 | 68 | 63 | 60 | 57 | 54 | 52 | 72 | 68 | 64 | 61 | 58 | 56 | 52 | 51 | 51 | 48 | | | | | | | | |
| 2.00 | 95 | 82 | 83 | 74 | 74 | 67 | 67 | 62 | 91 | 80 | 80 | 73 | 72 | 66 | 65 | 61 | 84 | 77 | 75 | 70 | 69 | 65 | 63 | 60 | 78 | 73 | 71 | 68 | 65 | 63 | 61 | 59 | 58 | 56 | | | | | | | | |
| 2.50 | 100 | 86 | 89 | 79 | 81 | 73 | 74 | 68 | 96 | 84 | 86 | 77 | 79 | 72 | 72 | 67 | 88 | 80 | 81 | 75 | 74 | 70 | 69 | 65 | 82 | 77 | 76 | 72 | 71 | 68 | 66 | 64 | 63 | 61 | | | | | | | | |
| 3.00 | 103 | 89 | 94 | 82 | 86 | 77 | 80 | 72 | 99 | 87 | 91 | 81 | 84 | 76 | 78 | 71 | 91 | 83 | 85 | 78 | 79 | 74 | 74 | 70 | 84 | 79 | 79 | 75 | 75 | 71 | 71 | 68 | 67 | 65 | | | | | | | | |
| 4.00 | 108 | 92 | 100 | 87 | 94 | 82 | 88 | 78 | 104 | 90 | 97 | 85 | 91 | 81 | 85 | 77 | 95 | 86 | 90 | 82 | 85 | 79 | 81 | 75 | 88 | 83 | 84 | 80 | 80 | 77 | 77 | 74 | 73 | 70 | | | | | | | | |
| 5.00 | 111 | 94 | 105 | 90 | 99 | 86 | 93 | 82 | 107 | 92 | 101 | 88 | 95 | 85 | 91 | 81 | 98 | 89 | 94 | 85 | 89 | 82 | 86 | 79 | 91 | 85 | 87 | 82 | 84 | 80 | 81 | 77 | 76 | 74 | | | | | | | | |
| 7.00 | 115 | 97 | 110 | 93 | 105 | 90 | 101 | 87 | 110 | 95 | 106 | 92 | 101 | 89 | 97 | 86 | 101 | 91 | 98 | 89 | 95 | 86 | 91 | 84 | 94 | 88 | 91 | 86 | 89 | 84 | 86 | 82 | 81 | 78 | | | | | | | | |
| 10.00 | 118 | 99 | 114 | 96 | 110 | 94 | 107 | 92 | 113 | 97 | 110 | 95 | 106 | 92 | 103 | 90 | 104 | 94 | 101 | 92 | 99 | 90 | 96 | 88 | 96 | 90 | 94 | 89 | 92 | 87 | 90 | 86 | 85 | 82 | | | | | | | | |

JIS C 8030:2014

三菱電機照明株式会社