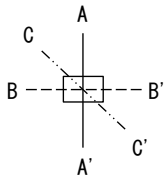
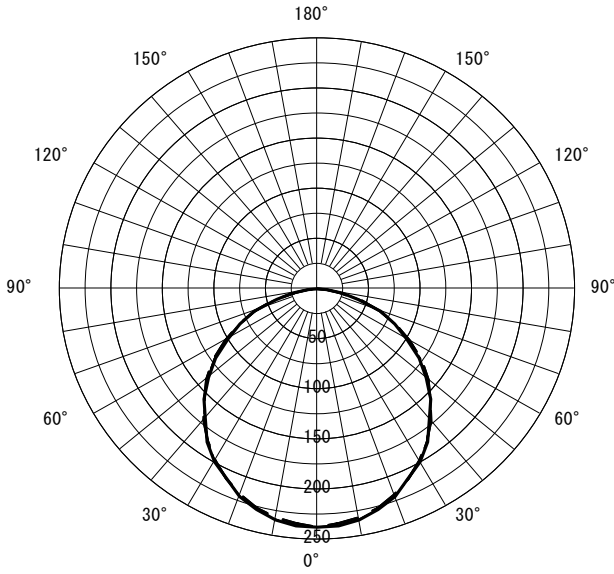


|        |                         |    |  |      |
|--------|-------------------------|----|--|------|
| 形名     | EL-LFB45122B AHN (25N5) | 電源 |  | ○諸特性 |
| 出力     | 固定出力                    | 温度 |  |      |
| モード    |                         |    |  |      |
| オプション1 | B4212                   |    |  |      |
| オプション2 |                         |    |  |      |
| オプション3 |                         |    |  |      |
| オプション4 |                         |    |  |      |
| オプション5 |                         |    |  |      |

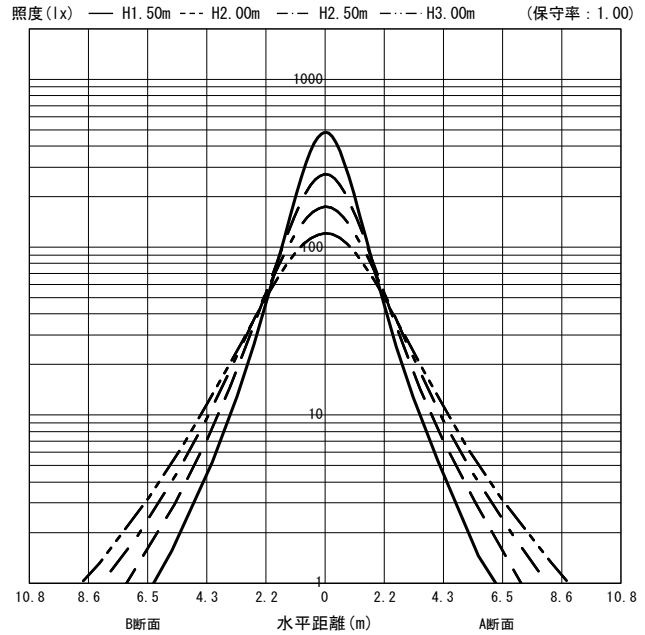


|        |      |                   |       |       |  |
|--------|------|-------------------|-------|-------|--|
| 光源     |      | LDL40S-W/17/23-N4 |       |       |  |
| 最大取付間隔 | 高さ   | H                 |       |       |  |
|        | A-A' | 1.3 H             |       |       |  |
|        | B-B' | 1.2 H             |       |       |  |
| 器具効率   |      | 上方光束              | 下方光束  | 計     |  |
| 保守率    |      | 良い                | 普通    | 悪い    |  |
|        |      | 0.810             | 0.770 | 0.680 |  |

○配光曲線図 (cd/1000lm)



○直射水平面照度 (全光束: 2300 × 2 = 4600lm/台)



| 反射率 (%) |                 |    |    |    |    |    |    |    |    |    |    |    |    |    |    |    |    |    |    |    |    |    |    |    |    |    |    |    |    |    |    |    |    |    |
|---------|-----------------|----|----|----|----|----|----|----|----|----|----|----|----|----|----|----|----|----|----|----|----|----|----|----|----|----|----|----|----|----|----|----|----|----|
| 天井      | 80              |    |    |    | 70 |    |    |    | 50 |    |    |    | 30 |    |    |    | 20 | 0  |    |    |    |    |    |    |    |    |    |    |    |    |    |    |    |    |
| 壁       | 70              | 50 | 30 | 10 | 70 | 50 | 30 | 10 | 70 | 50 | 30 | 10 | 70 | 50 | 30 | 10 | 70 | 50 | 30 | 10 | 10 | 0  |    |    |    |    |    |    |    |    |    |    |    |    |
| 床       | 30              | 10 | 30 | 10 | 30 | 10 | 30 | 10 | 30 | 10 | 30 | 10 | 30 | 10 | 30 | 10 | 30 | 10 | 30 | 10 | 30 | 10 | 10 | 0  |    |    |    |    |    |    |    |    |    |    |
| 室指数     | 作業面照明率 (× 0.01) |    |    |    |    |    |    |    |    |    |    |    |    |    |    |    |    |    |    |    |    |    |    |    |    |    |    |    |    |    |    |    |    |    |
| 0.60    | 42              | 39 | 32 | 30 | 26 | 25 | 22 | 22 | 41 | 38 | 32 | 30 | 26 | 25 | 22 | 22 | 38 | 36 | 31 | 29 | 25 | 25 | 22 | 22 | 37 | 35 | 30 | 29 | 25 | 25 | 22 | 22 | 20 |    |
| 0.80    | 50              | 45 | 40 | 38 | 34 | 33 | 30 | 29 | 48 | 44 | 39 | 37 | 34 | 32 | 29 | 29 | 46 | 43 | 38 | 36 | 33 | 32 | 29 | 29 | 43 | 41 | 37 | 36 | 32 | 32 | 29 | 28 | 28 | 27 |
| 1.00    | 55              | 50 | 46 | 43 | 40 | 38 | 35 | 34 | 54 | 49 | 45 | 42 | 39 | 37 | 35 | 34 | 51 | 47 | 43 | 41 | 38 | 37 | 34 | 34 | 48 | 45 | 42 | 40 | 37 | 36 | 34 | 33 | 33 | 32 |
| 1.25    | 60              | 54 | 52 | 47 | 46 | 43 | 41 | 39 | 59 | 53 | 51 | 47 | 45 | 42 | 41 | 39 | 55 | 51 | 48 | 46 | 44 | 42 | 40 | 39 | 52 | 49 | 47 | 45 | 42 | 41 | 39 | 38 | 38 | 37 |
| 1.50    | 64              | 56 | 56 | 51 | 50 | 46 | 45 | 43 | 62 | 55 | 55 | 50 | 49 | 46 | 45 | 43 | 58 | 53 | 52 | 49 | 48 | 45 | 44 | 42 | 55 | 52 | 50 | 48 | 46 | 45 | 43 | 42 | 42 | 40 |
| 2.00    | 69              | 60 | 62 | 55 | 57 | 52 | 52 | 48 | 67 | 59 | 61 | 55 | 55 | 51 | 51 | 48 | 63 | 57 | 57 | 53 | 53 | 50 | 50 | 48 | 59 | 55 | 55 | 52 | 51 | 49 | 48 | 47 | 47 | 46 |
| 2.50    | 72              | 63 | 66 | 59 | 61 | 55 | 57 | 52 | 70 | 61 | 64 | 58 | 60 | 55 | 56 | 52 | 65 | 60 | 61 | 56 | 57 | 54 | 54 | 51 | 61 | 58 | 58 | 55 | 55 | 53 | 52 | 51 | 50 | 49 |
| 3.00    | 75              | 64 | 69 | 61 | 65 | 58 | 61 | 55 | 72 | 63 | 67 | 60 | 63 | 57 | 60 | 55 | 67 | 61 | 64 | 58 | 60 | 56 | 57 | 54 | 63 | 59 | 60 | 57 | 58 | 55 | 55 | 53 | 53 | 52 |
| 4.00    | 78              | 66 | 73 | 63 | 69 | 61 | 66 | 59 | 75 | 65 | 71 | 63 | 68 | 60 | 65 | 58 | 70 | 63 | 67 | 61 | 64 | 59 | 62 | 57 | 66 | 62 | 63 | 60 | 61 | 58 | 59 | 57 | 56 | 55 |
| 5.00    | 80              | 67 | 76 | 65 | 73 | 63 | 70 | 61 | 77 | 66 | 73 | 64 | 70 | 62 | 68 | 61 | 72 | 65 | 69 | 63 | 67 | 61 | 65 | 60 | 67 | 63 | 65 | 61 | 63 | 60 | 62 | 59 | 58 | 57 |
| 7.00    | 82              | 69 | 79 | 67 | 76 | 66 | 74 | 64 | 79 | 68 | 76 | 66 | 74 | 65 | 72 | 64 | 73 | 66 | 71 | 65 | 70 | 64 | 68 | 62 | 69 | 65 | 67 | 63 | 66 | 62 | 65 | 61 | 61 | 60 |
| 10.00   | 83              | 70 | 81 | 69 | 79 | 68 | 78 | 66 | 80 | 69 | 79 | 68 | 77 | 67 | 75 | 66 | 75 | 67 | 73 | 66 | 72 | 65 | 71 | 65 | 70 | 66 | 69 | 65 | 68 | 64 | 67 | 63 | 63 | 62 |

JIS C 8030:2014

三菱電機照明株式会社