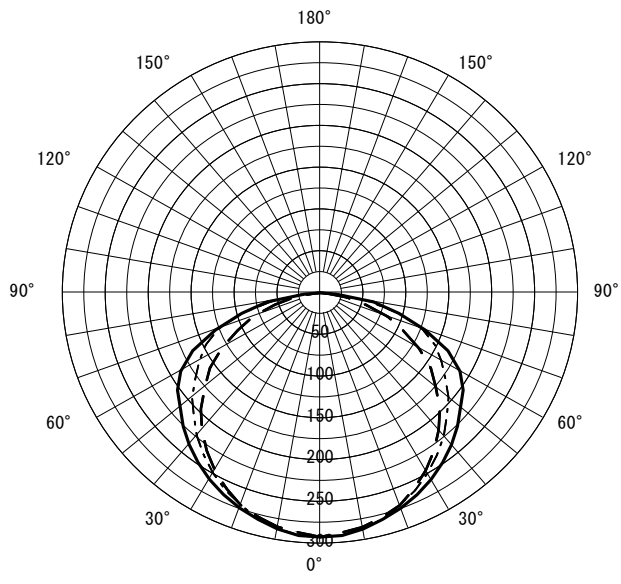


|        |                        |    |  |
|--------|------------------------|----|--|
| 形名     | EL-LFB45702C AHN(39N4) | 電源 |  |
| 出力     | 固定出力                   | 温度 |  |
| モード    |                        |    |  |
| オプション1 |                        |    |  |
| オプション2 |                        |    |  |
| オプション3 |                        |    |  |
| オプション4 |                        |    |  |
| オプション5 |                        |    |  |

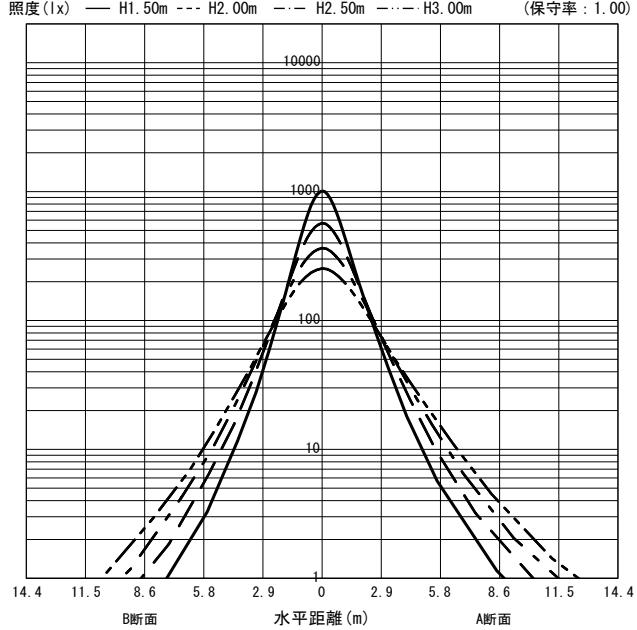


|                |      |                   |       |       |       |
|----------------|------|-------------------|-------|-------|-------|
| 光源             |      | LDL40S-N/24/39-N4 |       |       |       |
| 最大<br>取付<br>間隔 | 高さ   | H                 |       |       |       |
|                | A-A' | 1.3 H             |       |       |       |
|                | B-B' | 1.3 H             |       |       |       |
| 器具効率           |      | 上方光束              | 下方光束  | 計     |       |
| 保守率            |      | 良い                | 普通    | 悪い    |       |
|                |      | 0.880             | 0.860 | 0.810 | 94.8% |

○配光曲線図 (cd/1000lm)



○直射水平面照度 (全光束: 3900 × 2 = 7800lm/台)



| 反射率 (%) |                 |    |     |    |     |    |     |    |     |    |     |    |     |    |     |    |     |    |     |    |     |    |     |    |    |    |    |    |    |    |    |    |    |    |
|---------|-----------------|----|-----|----|-----|----|-----|----|-----|----|-----|----|-----|----|-----|----|-----|----|-----|----|-----|----|-----|----|----|----|----|----|----|----|----|----|----|----|
| 天井      | 80              |    |     |    |     |    |     |    | 70  |    |     |    |     |    |     |    | 50  |    |     |    |     |    |     |    | 30 |    |    |    |    |    |    |    | 20 | 0  |
| 壁       | 70              | 50 | 30  | 10 | 70  | 50 | 30  | 10 | 70  | 50 | 30  | 10 | 70  | 50 | 30  | 10 | 70  | 50 | 30  | 10 | 70  | 50 | 30  | 10 | 10 | 0  |    |    |    |    |    |    |    |    |
| 床       | 30              | 10 | 30  | 10 | 30  | 10 | 30  | 10 | 30  | 10 | 30  | 10 | 30  | 10 | 30  | 10 | 30  | 10 | 30  | 10 | 30  | 10 | 30  | 10 | 30 | 10 | 30 | 10 | 30 | 10 | 30 | 10 | 10 | 0  |
| 室指数     | 作業面照明率 (× 0.01) |    |     |    |     |    |     |    |     |    |     |    |     |    |     |    |     |    |     |    |     |    |     |    |    |    |    |    |    |    |    |    |    |    |
| 0.60    | 57              | 53 | 43  | 41 | 34  | 33 | 28  | 28 | 55  | 51 | 42  | 40 | 34  | 33 | 28  | 27 | 52  | 49 | 40  | 39 | 33  | 32 | 28  | 27 | 49 | 47 | 39 | 38 | 32 | 32 | 27 | 27 | 25 |    |
| 0.80    | 68              | 62 | 54  | 51 | 45  | 43 | 38  | 37 | 66  | 61 | 53  | 50 | 44  | 42 | 38  | 37 | 62  | 58 | 51  | 49 | 43  | 42 | 37  | 37 | 59 | 55 | 49 | 47 | 42 | 41 | 37 | 37 | 36 | 35 |
| 1.00    | 76              | 68 | 62  | 58 | 53  | 50 | 46  | 44 | 74  | 67 | 61  | 57 | 52  | 50 | 45  | 44 | 69  | 64 | 58  | 55 | 51  | 49 | 45  | 44 | 65 | 61 | 56 | 54 | 49 | 48 | 44 | 43 | 43 | 41 |
| 1.25    | 83              | 74 | 70  | 64 | 61  | 57 | 54  | 51 | 81  | 73 | 69  | 64 | 60  | 57 | 53  | 51 | 75  | 70 | 66  | 62 | 58  | 56 | 52  | 51 | 71 | 67 | 63 | 60 | 56 | 55 | 51 | 50 | 50 | 48 |
| 1.50    | 89              | 78 | 76  | 69 | 67  | 62 | 60  | 57 | 86  | 77 | 75  | 68 | 66  | 62 | 60  | 57 | 80  | 74 | 71  | 67 | 64  | 61 | 58  | 56 | 75 | 71 | 68 | 65 | 62 | 60 | 57 | 56 | 55 | 53 |
| 2.00    | 96              | 84 | 86  | 76 | 77  | 70 | 70  | 65 | 93  | 82 | 83  | 75 | 76  | 70 | 69  | 65 | 87  | 79 | 79  | 73 | 73  | 68 | 67  | 64 | 81 | 76 | 75 | 71 | 70 | 67 | 65 | 64 | 63 | 61 |
| 2.50    | 101             | 87 | 92  | 81 | 84  | 76 | 78  | 71 | 98  | 86 | 89  | 80 | 82  | 75 | 76  | 71 | 91  | 83 | 84  | 78 | 79  | 74 | 74  | 70 | 85 | 80 | 80 | 76 | 75 | 72 | 71 | 69 | 68 | 66 |
| 3.00    | 105             | 90 | 96  | 84 | 89  | 80 | 83  | 75 | 101 | 88 | 94  | 83 | 87  | 79 | 82  | 75 | 94  | 86 | 88  | 81 | 83  | 77 | 79  | 74 | 88 | 83 | 83 | 79 | 79 | 76 | 76 | 73 | 72 | 70 |
| 4.00    | 110             | 93 | 103 | 89 | 97  | 85 | 91  | 81 | 105 | 92 | 99  | 88 | 94  | 84 | 89  | 81 | 98  | 89 | 93  | 85 | 89  | 82 | 85  | 80 | 92 | 86 | 88 | 83 | 85 | 81 | 82 | 78 | 78 | 76 |
| 5.00    | 112             | 95 | 107 | 91 | 101 | 88 | 97  | 85 | 108 | 94 | 103 | 90 | 98  | 87 | 94  | 85 | 101 | 91 | 97  | 88 | 93  | 86 | 90  | 83 | 94 | 88 | 91 | 86 | 88 | 84 | 86 | 82 | 81 | 79 |
| 7.00    | 116             | 97 | 111 | 95 | 107 | 92 | 104 | 90 | 111 | 96 | 108 | 94 | 104 | 91 | 101 | 89 | 104 | 93 | 101 | 91 | 98  | 89 | 95  | 88 | 97 | 91 | 95 | 89 | 92 | 88 | 90 | 86 | 85 | 83 |
| 10.00   | 118             | 99 | 115 | 97 | 112 | 95 | 109 | 94 | 114 | 98 | 111 | 96 | 108 | 94 | 106 | 93 | 106 | 95 | 104 | 94 | 102 | 92 | 100 | 91 | 99 | 93 | 97 | 92 | 96 | 91 | 94 | 89 | 89 | 87 |

JIS C 8030:2014

三菱電機照明株式会社