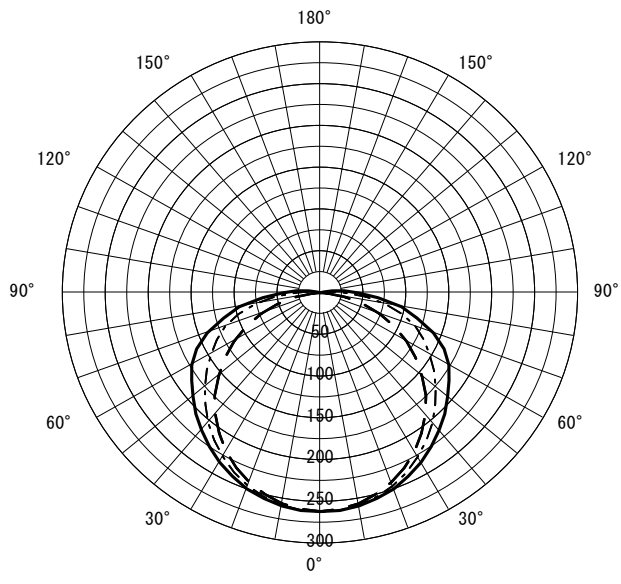


| | | | | |
|--------|------------------------|----|--|------|
| 形名 | EL-LFH4902B AHN (25N5) | 電源 | | ○諸特性 |
| 出力 | 固定出力 | 温度 | | |
| モード | | | | |
| オプション1 | | | | |
| オプション2 | | | | |
| オプション3 | | | | |
| オプション4 | | | | |
| オプション5 | | | | |

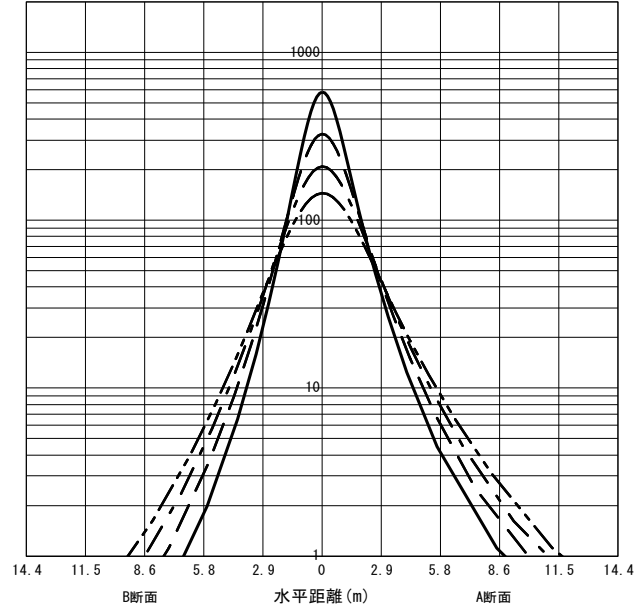


| | | | | |
|----------------|------|-------------------|----------|----------|
| 光源 | | LDL40S-N/17/25-N5 | | |
| 最大 取付 間隔 | 高さ | H | | |
| | A-A' | 1.3 H | | |
| | B-B' | 1.3 H | | |
| 器具効率 | | 上方光束 | 下方光束 | 計 |
| | | 1.8% | 90.4% | 92.2% |
| 保守率 | | 良い | 0.830 普通 | 0.810 悪い |
| | | 0.770 | | |

○配光曲線図 (cd/1000lm)



○直射水平面照度 (全光束: 2500 × 2 = 5000lm/台)
照度 (lx) — H1.50m --- H2.00m - - - H2.50m - · - · H3.00m (保守率: 1.00)



| 反射率 (%) | | | | | | | | | | | | | | | | | | | | | | | | | | | | | | | | | | | | | | | | | | |
|---------|----------------|----|-----|----|-----|----|-----|----|-----|----|-----|----|-----|----|-----|----|-----|----|----|----|----|----|----|----|----|----|----|----|----|----|----|----|----|----|----|----|----|----|----|----|----|---|
| 天井 | 80 | | | | | | | | 70 | | | | | | | | 50 | | | | | | | | 30 | | | | | | | | 20 | 0 | | | | | | | | |
| 壁 | 70 | 50 | 30 | 10 | 70 | 50 | 30 | 10 | 70 | 50 | 30 | 10 | 70 | 50 | 30 | 10 | 70 | 50 | 30 | 10 | 70 | 50 | 30 | 10 | 70 | 50 | 30 | 10 | 10 | 0 | | | | | | | | | | | | |
| 床 | 30 | 10 | 30 | 10 | 30 | 10 | 30 | 10 | 30 | 10 | 30 | 10 | 30 | 10 | 30 | 10 | 30 | 10 | 30 | 10 | 30 | 10 | 30 | 10 | 30 | 10 | 30 | 10 | 30 | 10 | 30 | 10 | 30 | 10 | 30 | 10 | 30 | 10 | 30 | 10 | 10 | 0 |
| 室指数 | 作業面照度 (× 0.01) | | | | | | | | | | | | | | | | | | | | | | | | | | | | | | | | | | | | | | | | | |
| 0.60 | 54 | 50 | 40 | 38 | 32 | 31 | 26 | 25 | 53 | 49 | 39 | 38 | 31 | 30 | 26 | 25 | 49 | 46 | 38 | 36 | 31 | 30 | 25 | 25 | 46 | 44 | 36 | 35 | 30 | 29 | 25 | 25 | 25 | 23 | | | | | | | | |
| 0.80 | 65 | 59 | 51 | 48 | 42 | 40 | 35 | 34 | 63 | 57 | 50 | 47 | 41 | 39 | 35 | 34 | 59 | 55 | 47 | 45 | 40 | 39 | 34 | 34 | 55 | 52 | 46 | 44 | 39 | 38 | 34 | 33 | 33 | 31 | | | | | | | | |
| 1.00 | 72 | 65 | 58 | 54 | 49 | 47 | 42 | 41 | 70 | 63 | 57 | 53 | 48 | 46 | 42 | 41 | 65 | 60 | 54 | 52 | 47 | 45 | 41 | 40 | 61 | 57 | 52 | 50 | 45 | 44 | 40 | 40 | 39 | 37 | | | | | | | | |
| 1.25 | 79 | 70 | 66 | 61 | 57 | 53 | 50 | 47 | 76 | 69 | 64 | 60 | 56 | 53 | 49 | 47 | 71 | 65 | 61 | 58 | 54 | 51 | 48 | 47 | 66 | 62 | 58 | 56 | 52 | 50 | 47 | 46 | 46 | 43 | | | | | | | | |
| 1.50 | 84 | 74 | 72 | 65 | 63 | 58 | 56 | 53 | 81 | 73 | 70 | 64 | 62 | 58 | 55 | 52 | 75 | 69 | 66 | 62 | 59 | 56 | 53 | 51 | 70 | 66 | 63 | 60 | 57 | 55 | 52 | 51 | 50 | 48 | | | | | | | | |
| 2.00 | 92 | 80 | 81 | 72 | 72 | 66 | 65 | 60 | 88 | 78 | 78 | 71 | 70 | 65 | 64 | 60 | 82 | 75 | 74 | 69 | 67 | 63 | 62 | 59 | 76 | 72 | 70 | 66 | 64 | 62 | 60 | 58 | 58 | 55 | | | | | | | | |
| 2.50 | 97 | 83 | 87 | 77 | 79 | 71 | 72 | 66 | 93 | 81 | 84 | 75 | 77 | 70 | 71 | 65 | 86 | 78 | 79 | 73 | 73 | 68 | 68 | 64 | 80 | 75 | 74 | 71 | 69 | 67 | 65 | 63 | 63 | 60 | | | | | | | | |
| 3.00 | 100 | 86 | 91 | 80 | 84 | 75 | 78 | 70 | 96 | 84 | 88 | 79 | 82 | 74 | 76 | 70 | 89 | 81 | 83 | 76 | 77 | 72 | 73 | 68 | 83 | 78 | 78 | 74 | 73 | 70 | 70 | 67 | 66 | 64 | | | | | | | | |
| 4.00 | 105 | 89 | 97 | 84 | 91 | 80 | 85 | 76 | 100 | 87 | 94 | 83 | 88 | 79 | 83 | 75 | 93 | 84 | 88 | 80 | 83 | 77 | 79 | 74 | 86 | 81 | 82 | 78 | 79 | 75 | 75 | 72 | 72 | 69 | | | | | | | | |
| 5.00 | 107 | 91 | 101 | 87 | 96 | 83 | 91 | 80 | 103 | 89 | 98 | 86 | 93 | 82 | 88 | 79 | 95 | 86 | 91 | 83 | 87 | 80 | 84 | 77 | 89 | 83 | 85 | 81 | 82 | 78 | 79 | 76 | 75 | 73 | | | | | | | | |
| 7.00 | 111 | 93 | 106 | 90 | 102 | 87 | 98 | 85 | 106 | 92 | 102 | 89 | 98 | 86 | 95 | 84 | 98 | 89 | 95 | 86 | 92 | 84 | 89 | 82 | 92 | 86 | 89 | 84 | 87 | 82 | 84 | 80 | 79 | 77 | | | | | | | | |
| 10.00 | 114 | 95 | 110 | 93 | 107 | 91 | 104 | 89 | 109 | 94 | 106 | 91 | 103 | 89 | 100 | 88 | 101 | 91 | 98 | 89 | 96 | 87 | 94 | 86 | 94 | 88 | 92 | 87 | 90 | 85 | 88 | 84 | 83 | 81 | | | | | | | | |

JIS C 8030:2014

三菱電機照明株式会社