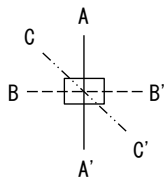
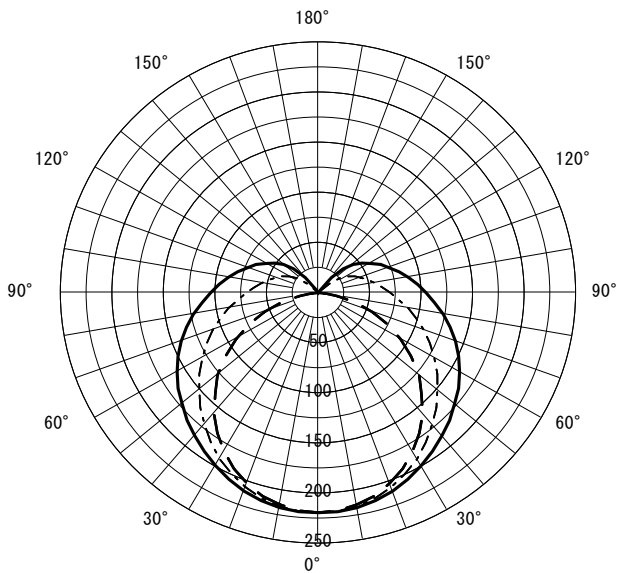


| | | | | |
|--------|------------------------|----|--|------|
| 形名 | EL-LKL4901B AHX (39N4) | 電源 | | ○諸特性 |
| 出力 | 連調単色 | 温度 | | |
| モード | | | | |
| オプション1 | | | | |
| オプション2 | | | | |
| オプション3 | | | | |
| オプション4 | | | | |
| オプション5 | | | | |

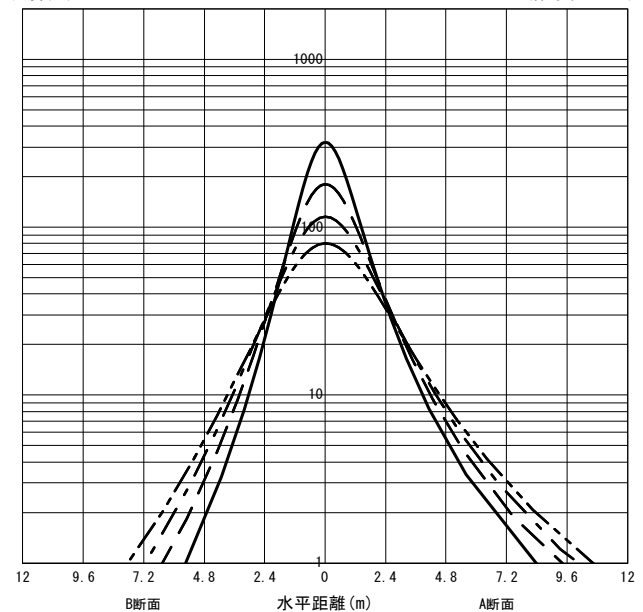


○配光曲線図 (cd/1000lm)



| | | | | | |
|----------------|------|-------------------|-------|-------|-------|
| 光源 | | LDL40S-L/24/33-N4 | | | |
| 最大 取付 間隔 | 高さ | H | | | |
| | A-A' | 1.4 H | | | |
| | B-B' | 1.2 H | | | |
| 器具効率 | | 上方光束 | 下方光束 | 計 | |
| 保守率 | | 良い | 普通 | 悪い | 0.810 |
| | | 17.6% | 82.2% | 99.9% | |

○直射水平面照度 (全光束 : 3300 × 1 = 3300lm/台)
照度 (lx) — H1.50m --- H2.00m - - - H2.50m - · - - H3.00m (保守率 : 1.00)



| 反射率 (%) | | | | | | | | | | | | | | | | | | | | | | | | | | | | | | | | | | |
|---------|-----------------|----|-----|----|-----|----|-----|----|-----|----|-----|----|-----|----|-----|----|----|----|----|----|----|----|----|----|----|----|----|----|----|----|----|----|----|----|
| 天井 | 80 | | | | 70 | | | | 50 | | | | 30 | | | | 20 | 0 | | | | | | | | | | | | | | | | |
| 壁 | 70 | 50 | 30 | 10 | 70 | 50 | 30 | 10 | 70 | 50 | 30 | 10 | 70 | 50 | 30 | 10 | 70 | 50 | 30 | 10 | | | | | | | | | | | | | | |
| 床 | 30 | 10 | 30 | 10 | 30 | 10 | 30 | 10 | 30 | 10 | 30 | 10 | 30 | 10 | 30 | 10 | 30 | 10 | 30 | 10 | 30 | 10 | 30 | 10 | 30 | 10 | 30 | 10 | 30 | 10 | 30 | 10 | 30 | 10 |
| 室指数 | 作業面照明率 (× 0.01) | | | | | | | | | | | | | | | | | | | | | | | | | | | | | | | | | |
| 0.60 | 56 | 51 | 41 | 39 | 32 | 31 | 26 | 25 | 53 | 49 | 39 | 38 | 31 | 30 | 25 | 25 | 48 | 45 | 36 | 35 | 29 | 28 | 24 | 23 | 43 | 41 | 34 | 33 | 27 | 27 | 23 | 22 | 22 | 19 |
| 0.80 | 67 | 61 | 51 | 48 | 42 | 40 | 35 | 34 | 63 | 58 | 49 | 47 | 40 | 39 | 34 | 33 | 57 | 53 | 46 | 44 | 38 | 37 | 32 | 32 | 51 | 49 | 42 | 41 | 35 | 35 | 30 | 30 | 29 | 26 |
| 1.00 | 74 | 67 | 59 | 55 | 49 | 47 | 42 | 40 | 70 | 64 | 57 | 53 | 48 | 45 | 41 | 40 | 63 | 59 | 52 | 50 | 44 | 43 | 39 | 38 | 57 | 54 | 48 | 46 | 41 | 40 | 36 | 36 | 35 | 32 |
| 1.25 | 82 | 73 | 67 | 62 | 57 | 54 | 50 | 47 | 77 | 69 | 64 | 60 | 55 | 52 | 48 | 46 | 69 | 64 | 59 | 55 | 51 | 49 | 45 | 44 | 62 | 58 | 54 | 52 | 48 | 46 | 42 | 42 | 41 | 37 |
| 1.50 | 87 | 77 | 73 | 67 | 63 | 59 | 56 | 53 | 82 | 73 | 70 | 64 | 61 | 57 | 54 | 51 | 73 | 67 | 64 | 60 | 56 | 54 | 51 | 49 | 66 | 62 | 58 | 56 | 52 | 51 | 47 | 46 | 45 | 41 |
| 2.00 | 95 | 82 | 82 | 74 | 73 | 67 | 65 | 61 | 89 | 79 | 79 | 71 | 70 | 65 | 63 | 59 | 80 | 73 | 71 | 66 | 64 | 61 | 59 | 56 | 71 | 67 | 65 | 62 | 59 | 57 | 55 | 53 | 52 | 47 |
| 2.50 | 100 | 86 | 89 | 78 | 80 | 72 | 73 | 66 | 94 | 83 | 84 | 76 | 76 | 70 | 70 | 65 | 84 | 76 | 76 | 71 | 70 | 66 | 65 | 61 | 75 | 70 | 69 | 66 | 64 | 62 | 60 | 58 | 56 | 52 |
| 3.00 | 103 | 89 | 93 | 82 | 85 | 76 | 78 | 71 | 97 | 85 | 89 | 79 | 81 | 74 | 75 | 69 | 87 | 79 | 80 | 74 | 74 | 69 | 69 | 65 | 78 | 73 | 72 | 69 | 68 | 65 | 64 | 62 | 60 | 55 |
| 4.00 | 108 | 92 | 100 | 86 | 93 | 81 | 87 | 77 | 102 | 89 | 95 | 84 | 88 | 79 | 83 | 75 | 91 | 82 | 85 | 78 | 80 | 74 | 76 | 71 | 81 | 76 | 77 | 73 | 73 | 70 | 70 | 67 | 65 | 60 |
| 5.00 | 111 | 94 | 104 | 89 | 98 | 85 | 92 | 81 | 105 | 91 | 99 | 87 | 93 | 83 | 88 | 79 | 94 | 84 | 89 | 81 | 84 | 78 | 81 | 75 | 84 | 78 | 80 | 76 | 77 | 73 | 74 | 70 | 68 | 63 |
| 7.00 | 115 | 97 | 110 | 93 | 104 | 90 | 100 | 86 | 109 | 93 | 104 | 90 | 99 | 87 | 95 | 84 | 97 | 87 | 93 | 84 | 90 | 82 | 86 | 79 | 87 | 81 | 84 | 79 | 81 | 77 | 79 | 75 | 73 | 67 |
| 10.00 | 118 | 99 | 114 | 96 | 110 | 93 | 106 | 91 | 111 | 96 | 108 | 93 | 104 | 91 | 101 | 88 | 99 | 89 | 97 | 87 | 94 | 85 | 91 | 83 | 89 | 83 | 87 | 82 | 85 | 80 | 83 | 78 | 76 | 71 |

JIS C 8030:2014

三菱電機照明株式会社