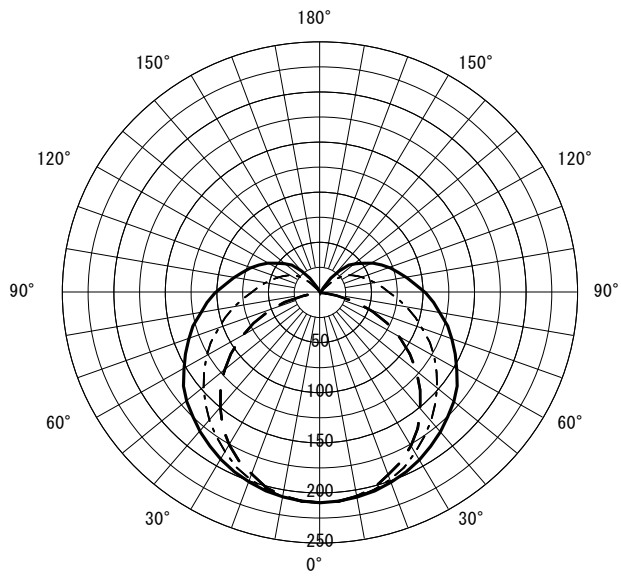


|        |                     |    |     |      |
|--------|---------------------|----|-----|------|
| 形名     | EL-LW-LH4001A/3 AHN | 電源 |     | ○諸特性 |
| 出力     | 固定出力                | 温度 |     |      |
| モード    |                     |    |     |      |
| オプション1 |                     |    | 通常時 |      |
| オプション2 |                     |    |     |      |
| オプション3 |                     |    |     |      |
| オプション4 |                     |    |     |      |
| オプション5 |                     |    |     |      |

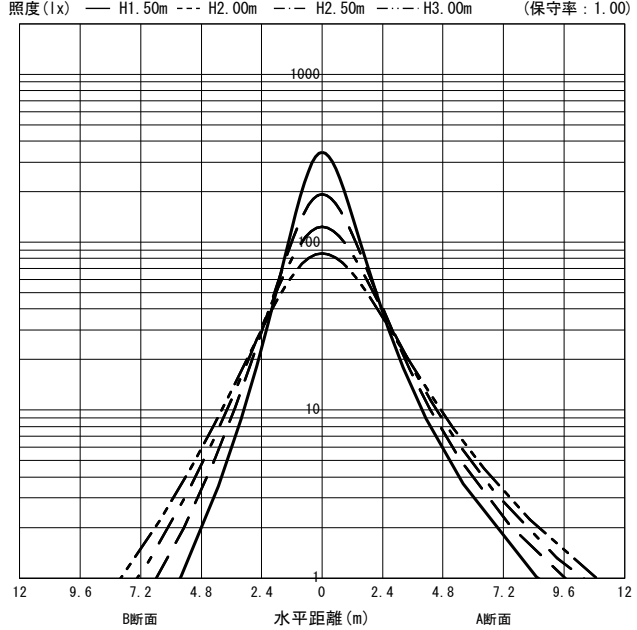


|                |      |                   |       |       |       |    |       |
|----------------|------|-------------------|-------|-------|-------|----|-------|
| 光源             |      | LDL40T・N/27/37・G3 |       |       |       |    |       |
| 最大<br>取付<br>間隔 | 高さ   | H                 |       |       |       |    |       |
|                | A-A' | 1.4 H             |       |       |       |    |       |
|                | B-B' | 1.3 H             |       |       |       |    |       |
| 器具効率           |      | 上方光束              | 下方光束  | 計     |       |    |       |
|                |      | 18.3%             | 79.6% | 97.9% |       |    |       |
| 保守率            |      | 良い                | 0.880 | 普通    | 0.860 | 悪い | 0.810 |

○配光曲線図 (cd/1000lm)



○直射水平面照度 (全光束: 3700 × 1 = 3700lm/台)



| 反射率 (%) |                 |    |     |    |     |    |     |    |     |    |     |    |     |    |    |    |    |    |    |    |    |    |    |    |    |    |    |    |    |    |    |    |    |    |    |    |    |    |    |    |    |   |
|---------|-----------------|----|-----|----|-----|----|-----|----|-----|----|-----|----|-----|----|----|----|----|----|----|----|----|----|----|----|----|----|----|----|----|----|----|----|----|----|----|----|----|----|----|----|----|---|
| 天井      | 80              |    |     |    | 70  |    |     |    | 50  |    |     |    | 30  |    |    |    | 20 | 0  |    |    |    |    |    |    |    |    |    |    |    |    |    |    |    |    |    |    |    |    |    |    |    |   |
| 壁       | 70              | 50 | 30  | 10 | 70  | 50 | 30  | 10 | 70  | 50 | 30  | 10 | 70  | 50 | 30 | 10 | 70 | 50 | 30 | 10 | 10 | 0  |    |    |    |    |    |    |    |    |    |    |    |    |    |    |    |    |    |    |    |   |
| 床       | 30              | 10 | 30  | 10 | 30  | 10 | 30  | 10 | 30  | 10 | 30  | 10 | 30  | 10 | 30 | 10 | 30 | 10 | 30 | 10 | 30 | 10 | 30 | 10 | 30 | 10 | 30 | 10 | 30 | 10 | 30 | 10 | 30 | 10 | 30 | 10 | 30 | 10 | 30 | 10 | 10 | 0 |
| 室指数     | 作業面照明率 (× 0.01) |    |     |    |     |    |     |    |     |    |     |    |     |    |    |    |    |    |    |    |    |    |    |    |    |    |    |    |    |    |    |    |    |    |    |    |    |    |    |    |    |   |
| 0.60    | 54              | 50 | 40  | 38 | 31  | 30 | 25  | 24 | 52  | 48 | 38  | 37 | 30  | 29 | 24 | 24 | 47 | 44 | 35 | 34 | 28 | 27 | 23 | 23 | 42 | 40 | 33 | 32 | 26 | 26 | 22 | 22 | 21 | 18 |    |    |    |    |    |    |    |   |
| 0.80    | 65              | 59 | 50  | 47 | 41  | 39 | 34  | 33 | 62  | 57 | 48  | 46 | 39  | 38 | 33 | 32 | 55 | 52 | 44 | 42 | 37 | 36 | 31 | 31 | 50 | 47 | 41 | 39 | 34 | 34 | 30 | 29 | 28 | 25 |    |    |    |    |    |    |    |   |
| 1.00    | 73              | 65 | 58  | 54 | 48  | 46 | 41  | 40 | 69  | 62 | 56  | 52 | 46  | 44 | 40 | 39 | 61 | 57 | 51 | 48 | 43 | 42 | 37 | 37 | 55 | 52 | 47 | 45 | 40 | 39 | 35 | 35 | 34 | 30 |    |    |    |    |    |    |    |   |
| 1.25    | 80              | 71 | 66  | 60 | 56  | 52 | 48  | 46 | 75  | 68 | 63  | 58 | 54  | 51 | 47 | 45 | 67 | 62 | 57 | 54 | 50 | 48 | 44 | 43 | 60 | 57 | 52 | 50 | 46 | 45 | 41 | 40 | 39 | 36 |    |    |    |    |    |    |    |   |
| 1.50    | 85              | 75 | 72  | 65 | 62  | 57 | 54  | 51 | 80  | 72 | 68  | 63 | 60  | 56 | 53 | 50 | 72 | 66 | 62 | 58 | 55 | 52 | 49 | 47 | 64 | 60 | 57 | 54 | 51 | 49 | 46 | 45 | 44 | 40 |    |    |    |    |    |    |    |   |
| 2.00    | 93              | 80 | 81  | 72 | 71  | 65 | 64  | 59 | 87  | 77 | 77  | 69 | 68  | 63 | 62 | 58 | 78 | 71 | 69 | 65 | 63 | 59 | 57 | 55 | 69 | 65 | 63 | 60 | 58 | 55 | 53 | 52 | 50 | 46 |    |    |    |    |    |    |    |   |
| 2.50    | 97              | 84 | 87  | 77 | 78  | 70 | 71  | 65 | 92  | 81 | 82  | 74 | 75  | 68 | 68 | 63 | 82 | 74 | 74 | 69 | 68 | 64 | 63 | 60 | 73 | 68 | 67 | 64 | 62 | 60 | 58 | 56 | 55 | 50 |    |    |    |    |    |    |    |   |
| 3.00    | 101             | 87 | 91  | 80 | 83  | 74 | 77  | 69 | 95  | 83 | 87  | 77 | 80  | 72 | 74 | 67 | 85 | 77 | 78 | 72 | 72 | 67 | 68 | 64 | 75 | 71 | 70 | 67 | 66 | 63 | 62 | 60 | 58 | 53 |    |    |    |    |    |    |    |   |
| 4.00    | 106             | 90 | 98  | 85 | 91  | 80 | 85  | 75 | 100 | 87 | 93  | 82 | 86  | 77 | 81 | 73 | 89 | 80 | 83 | 76 | 78 | 72 | 74 | 69 | 79 | 74 | 75 | 71 | 71 | 68 | 68 | 65 | 63 | 58 |    |    |    |    |    |    |    |   |
| 5.00    | 109             | 92 | 102 | 87 | 96  | 83 | 90  | 79 | 103 | 89 | 96  | 85 | 91  | 81 | 86 | 77 | 91 | 82 | 86 | 79 | 82 | 76 | 78 | 73 | 81 | 76 | 78 | 73 | 74 | 71 | 72 | 68 | 66 | 61 |    |    |    |    |    |    |    |   |
| 7.00    | 113             | 95 | 107 | 91 | 102 | 88 | 98  | 85 | 106 | 91 | 101 | 88 | 97  | 85 | 93 | 82 | 94 | 85 | 91 | 82 | 87 | 80 | 84 | 77 | 84 | 79 | 81 | 77 | 79 | 75 | 76 | 73 | 70 | 65 |    |    |    |    |    |    |    |   |
| 10.00   | 116             | 97 | 111 | 94 | 108 | 91 | 104 | 89 | 109 | 93 | 105 | 91 | 102 | 89 | 99 | 86 | 97 | 87 | 94 | 85 | 91 | 83 | 89 | 81 | 86 | 81 | 84 | 79 | 82 | 78 | 80 | 76 | 74 | 69 |    |    |    |    |    |    |    |   |

JIS C 8030:2014

三菱電機照明株式会社