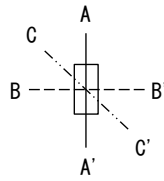
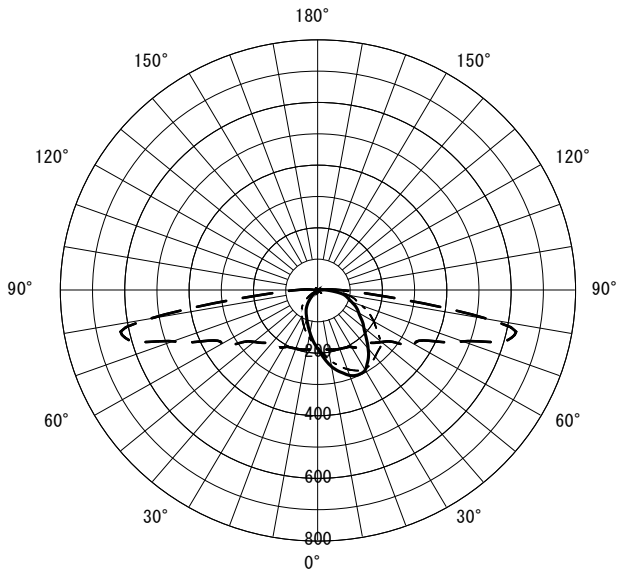


|        |              |    |  |      |
|--------|--------------|----|--|------|
| 形名     | EL-M1400 AHN | 電源 |  | ○諸特性 |
| 出力     | 固定出力         | 温度 |  |      |
| モード    |              |    |  | 光源   |
| オプション1 |              |    |  | 高さ   |
| オプション2 |              |    |  | A-A' |
| オプション3 |              |    |  | B-B' |
| オプション4 |              |    |  | 器具効率 |
| オプション5 |              |    |  | 上方光束 |
|        |              |    |  | 下方光束 |
|        |              |    |  | 計    |
|        |              |    |  | 保守率  |



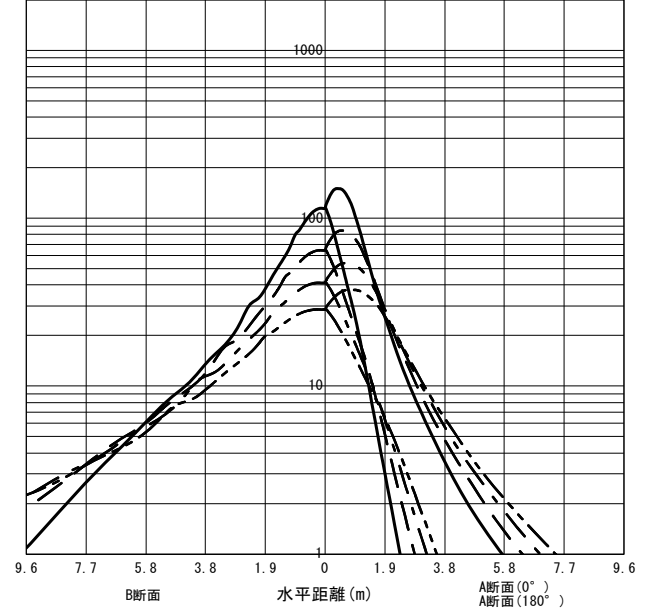
○配光曲線図 (cd/1000lm)



○直射水平面照度

(全光束 : 1400 × 1 = 1400lm/台)

照度 (lx) — H1.50m --- H2.00m - - - H2.50m ····· H3.00m (保守率 : 1.00)



| 反射率 (%) |                 |     |     |    |     |    |     |    |     |    |     |    |     |    |     |    |     |    |     |    |     |    |    |    |    |    |    |    |    |    |    |    |    |    |
|---------|-----------------|-----|-----|----|-----|----|-----|----|-----|----|-----|----|-----|----|-----|----|-----|----|-----|----|-----|----|----|----|----|----|----|----|----|----|----|----|----|----|
| 天井      | 80              |     |     |    |     |    |     |    | 70  |    |     |    | 50  |    |     |    | 30  |    |     |    | 20  | 0  |    |    |    |    |    |    |    |    |    |    |    |    |
| 壁       | 70              | 50  | 30  | 10 | 70  | 50 | 30  | 10 | 70  | 50 | 30  | 10 | 70  | 50 | 30  | 10 | 70  | 50 | 30  | 10 |     |    |    |    |    |    |    |    |    |    |    |    |    |    |
| 床       | 30              | 10  | 30  | 10 | 30  | 10 | 30  | 10 | 30  | 10 | 30  | 10 | 30  | 10 | 30  | 10 | 30  | 10 | 30  | 10 |     |    |    |    |    |    |    |    |    |    |    |    |    |    |
| 室指数     | 作業面照明率 (× 0.01) |     |     |    |     |    |     |    |     |    |     |    |     |    |     |    |     |    |     |    |     |    |    |    |    |    |    |    |    |    |    |    |    |    |
| 0.60    | 54              | 50  | 38  | 37 | 29  | 28 | 22  | 22 | 52  | 49 | 37  | 36 | 28  | 27 | 22  | 22 | 48  | 45 | 36  | 34 | 27  | 27 | 21 | 21 | 45 | 43 | 34 | 33 | 26 | 26 | 21 | 21 | 21 | 18 |
| 0.80    | 65              | 59  | 49  | 46 | 38  | 37 | 31  | 30 | 63  | 57 | 48  | 45 | 38  | 36 | 31  | 30 | 58  | 54 | 45  | 43 | 36  | 35 | 30 | 29 | 53 | 50 | 43 | 41 | 35 | 34 | 29 | 29 | 29 | 26 |
| 1.00    | 73              | 66  | 57  | 53 | 46  | 43 | 38  | 36 | 70  | 63 | 55  | 51 | 45  | 43 | 37  | 36 | 64  | 60 | 52  | 49 | 43  | 41 | 36 | 35 | 59 | 56 | 49 | 47 | 41 | 40 | 35 | 35 | 34 | 32 |
| 1.25    | 81              | 72  | 65  | 59 | 54  | 50 | 45  | 43 | 77  | 69 | 63  | 58 | 52  | 49 | 45  | 43 | 71  | 65 | 59  | 55 | 50  | 48 | 43 | 42 | 65 | 61 | 55 | 53 | 48 | 46 | 42 | 41 | 41 | 38 |
| 1.50    | 86              | 76  | 71  | 65 | 60  | 56 | 52  | 49 | 82  | 74 | 69  | 63 | 59  | 55 | 51  | 48 | 75  | 69 | 64  | 60 | 56  | 53 | 49 | 47 | 69 | 65 | 60 | 58 | 53 | 51 | 47 | 46 | 46 | 43 |
| 2.00    | 94              | 82  | 81  | 72 | 70  | 64 | 62  | 57 | 90  | 80 | 78  | 71 | 68  | 63 | 61  | 57 | 82  | 75 | 73  | 67 | 65  | 61 | 58 | 55 | 76 | 71 | 68 | 65 | 61 | 59 | 56 | 54 | 53 | 50 |
| 2.50    | 100             | 86  | 88  | 77 | 78  | 70 | 70  | 64 | 95  | 84 | 84  | 76 | 75  | 69 | 68  | 63 | 87  | 79 | 78  | 72 | 71  | 67 | 65 | 61 | 80 | 75 | 73 | 69 | 67 | 64 | 62 | 60 | 59 | 56 |
| 3.00    | 104             | 89  | 93  | 81 | 84  | 75 | 76  | 69 | 99  | 87 | 89  | 80 | 81  | 73 | 74  | 68 | 91  | 82 | 83  | 76 | 76  | 71 | 70 | 66 | 83 | 78 | 77 | 73 | 72 | 69 | 67 | 65 | 64 | 61 |
| 4.00    | 110             | 93  | 100 | 87 | 92  | 81 | 85  | 76 | 105 | 91 | 96  | 85 | 89  | 80 | 83  | 75 | 96  | 87 | 89  | 82 | 84  | 77 | 78 | 73 | 88 | 83 | 83 | 78 | 78 | 75 | 74 | 71 | 70 | 67 |
| 5.00    | 113             | 96  | 105 | 90 | 98  | 85 | 92  | 81 | 108 | 94 | 101 | 89 | 95  | 84 | 89  | 80 | 99  | 89 | 93  | 85 | 88  | 81 | 84 | 78 | 91 | 86 | 87 | 82 | 83 | 79 | 79 | 76 | 75 | 72 |
| 7.00    | 117             | 99  | 111 | 95 | 106 | 91 | 101 | 87 | 112 | 97 | 107 | 93 | 102 | 89 | 97  | 86 | 103 | 93 | 99  | 89 | 95  | 86 | 91 | 84 | 95 | 89 | 91 | 86 | 88 | 84 | 85 | 81 | 80 | 77 |
| 10.00   | 121             | 101 | 116 | 98 | 112 | 95 | 108 | 92 | 116 | 99 | 112 | 96 | 108 | 94 | 104 | 91 | 106 | 95 | 103 | 93 | 100 | 91 | 97 | 88 | 98 | 92 | 95 | 90 | 93 | 88 | 91 | 86 | 85 | 82 |

JIS C 8030:2014

三菱電機照明株式会社