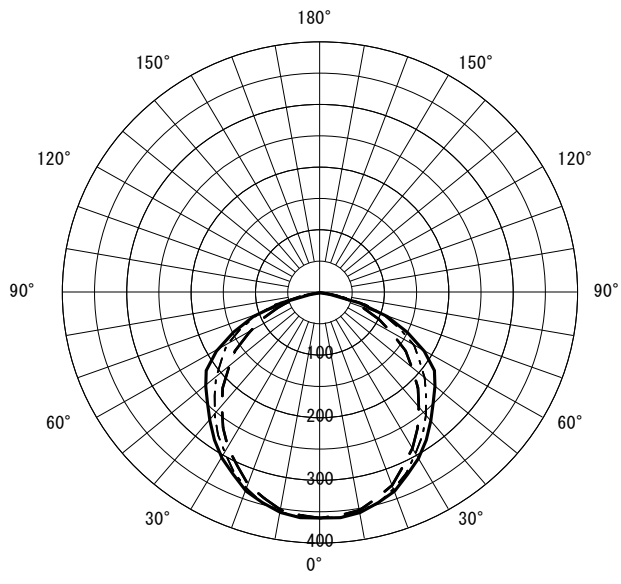


|        |                   |    |  |      |
|--------|-------------------|----|--|------|
| 形名     | EL-SK3010W/3 AHTZ | 電源 |  | ○諸特性 |
| 出力     | 段調光               | 温度 |  |      |
| モード    | 節電                |    |  |      |
| オプション1 |                   |    |  |      |
| オプション2 |                   |    |  |      |
| オプション3 |                   |    |  |      |
| オプション4 |                   |    |  |      |
| オプション5 |                   |    |  |      |

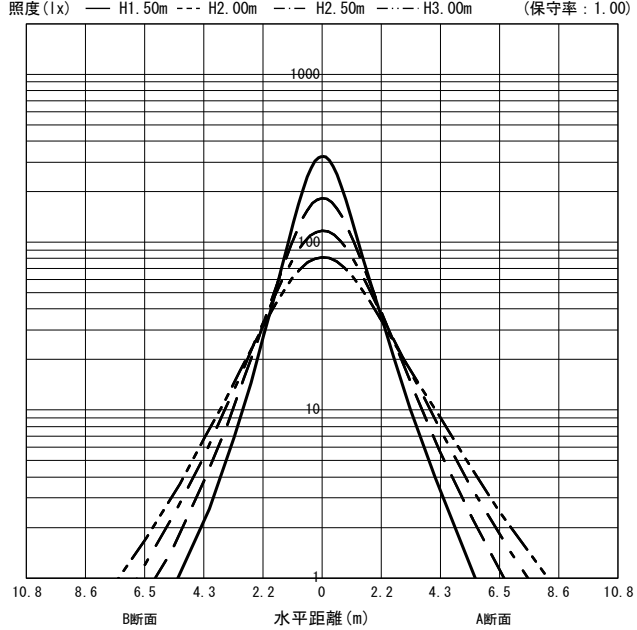


|                |      |       |        |        |       |    |       |
|----------------|------|-------|--------|--------|-------|----|-------|
| 光源             |      | LED   |        |        |       |    |       |
| 最大<br>取付<br>間隔 | 高さ   | H     |        |        |       |    |       |
|                | A-A' | 1.3 H |        |        |       |    |       |
|                | B-B' | 1.2 H |        |        |       |    |       |
| 器具効率           |      | 上方光束  | 下方光束   | 計      |       |    |       |
|                |      | 0.0%  | 100.0% | 100.0% |       |    |       |
| 保守率            |      | 良い    | 0.830  | 普通     | 0.810 | 悪い | 0.770 |

○配光曲線図 (cd/1000lm)



○直射水平面照度 (全光束: 2040 × 1 = 2040lm/台)



| 反射率 (%) |                 |     |     |     |     |     |     |     |     |     |     |     |     |     |     |    |     |     |     |     |     |    |     |    |     |    |     |    |     |    |     |    |    |    |  |  |  |  |
|---------|-----------------|-----|-----|-----|-----|-----|-----|-----|-----|-----|-----|-----|-----|-----|-----|----|-----|-----|-----|-----|-----|----|-----|----|-----|----|-----|----|-----|----|-----|----|----|----|--|--|--|--|
| 天井      | 80              |     |     |     |     |     |     |     | 70  |     |     |     |     |     |     |    | 50  |     |     |     |     |    |     |    | 30  |    |     |    |     |    |     |    | 20 | 0  |  |  |  |  |
| 壁       | 70              | 50  | 30  | 10  | 70  | 50  | 30  | 10  | 70  | 50  | 30  | 10  | 70  | 50  | 30  | 10 | 70  | 50  | 30  | 10  | 70  | 50 | 30  | 10 | 70  | 50 | 30  | 10 | 10  | 0  |     |    |    |    |  |  |  |  |
| 床       | 30              | 10  | 30  | 10  | 30  | 10  | 30  | 10  | 30  | 10  | 30  | 10  | 30  | 10  | 30  | 10 | 30  | 10  | 30  | 10  | 30  | 10 | 30  | 10 | 30  | 10 | 30  | 10 | 30  | 10 | 30  | 10 | 10 | 0  |  |  |  |  |
| 室指数     | 作業面照明率 (× 0.01) |     |     |     |     |     |     |     |     |     |     |     |     |     |     |    |     |     |     |     |     |    |     |    |     |    |     |    |     |    |     |    |    |    |  |  |  |  |
| 0.60    | 63              | 58  | 48  | 46  | 39  | 38  | 33  | 33  | 61  | 57  | 47  | 45  | 39  | 38  | 33  | 33 | 58  | 54  | 46  | 44  | 38  | 37 | 33  | 33 | 55  | 52 | 45  | 43 | 38  | 37 | 33  | 32 | 32 | 31 |  |  |  |  |
| 0.80    | 75              | 68  | 60  | 57  | 51  | 49  | 45  | 43  | 73  | 67  | 59  | 56  | 51  | 49  | 44  | 43 | 69  | 64  | 57  | 55  | 50  | 48 | 44  | 43 | 65  | 61 | 55  | 53 | 49  | 47 | 43  | 43 | 43 | 41 |  |  |  |  |
| 1.00    | 83              | 75  | 69  | 64  | 60  | 57  | 53  | 51  | 81  | 73  | 68  | 64  | 59  | 56  | 53  | 51 | 76  | 70  | 65  | 62  | 58  | 56 | 52  | 51 | 72  | 68 | 63  | 60 | 56  | 55 | 51  | 50 | 50 | 48 |  |  |  |  |
| 1.25    | 91              | 81  | 78  | 71  | 69  | 64  | 62  | 59  | 88  | 79  | 76  | 71  | 68  | 64  | 61  | 59 | 83  | 76  | 73  | 69  | 66  | 63 | 60  | 58 | 78  | 74 | 70  | 67 | 64  | 62 | 59  | 58 | 57 | 55 |  |  |  |  |
| 1.50    | 97              | 85  | 84  | 77  | 75  | 70  | 68  | 65  | 93  | 83  | 82  | 76  | 74  | 69  | 68  | 64 | 88  | 80  | 79  | 74  | 72  | 68 | 66  | 64 | 83  | 78 | 75  | 72 | 69  | 67 | 65  | 63 | 63 | 61 |  |  |  |  |
| 2.00    | 104             | 91  | 94  | 84  | 85  | 78  | 79  | 73  | 101 | 89  | 91  | 83  | 84  | 77  | 78  | 73 | 94  | 86  | 87  | 81  | 81  | 76 | 75  | 72 | 89  | 83 | 83  | 79 | 78  | 75 | 73  | 71 | 71 | 69 |  |  |  |  |
| 2.50    | 109             | 94  | 100 | 88  | 93  | 83  | 86  | 79  | 105 | 93  | 97  | 87  | 90  | 82  | 85  | 78 | 99  | 90  | 92  | 85  | 87  | 81 | 82  | 77 | 93  | 87 | 87  | 83 | 83  | 80 | 79  | 77 | 76 | 74 |  |  |  |  |
| 3.00    | 113             | 97  | 105 | 91  | 98  | 87  | 92  | 83  | 109 | 95  | 101 | 90  | 95  | 86  | 90  | 83 | 102 | 92  | 96  | 88  | 91  | 85 | 87  | 82 | 95  | 90 | 91  | 86 | 87  | 83 | 83  | 80 | 80 | 78 |  |  |  |  |
| 4.00    | 117             | 100 | 111 | 96  | 105 | 92  | 100 | 89  | 113 | 98  | 107 | 95  | 102 | 91  | 98  | 88 | 105 | 95  | 101 | 92  | 97  | 89 | 93  | 87 | 99  | 93 | 95  | 90 | 92  | 88 | 89  | 86 | 85 | 83 |  |  |  |  |
| 5.00    | 120             | 101 | 114 | 98  | 109 | 95  | 105 | 92  | 116 | 100 | 111 | 97  | 106 | 94  | 102 | 92 | 108 | 97  | 104 | 95  | 101 | 92 | 97  | 90 | 101 | 95 | 98  | 93 | 95  | 91 | 93  | 89 | 88 | 86 |  |  |  |  |
| 7.00    | 123             | 104 | 119 | 101 | 115 | 99  | 112 | 97  | 119 | 102 | 115 | 100 | 112 | 98  | 108 | 96 | 111 | 100 | 108 | 98  | 105 | 96 | 103 | 94 | 104 | 97 | 101 | 96 | 99  | 94 | 97  | 93 | 92 | 90 |  |  |  |  |
| 10.00   | 126             | 105 | 123 | 103 | 120 | 102 | 117 | 100 | 121 | 104 | 118 | 102 | 116 | 101 | 113 | 99 | 113 | 101 | 111 | 100 | 109 | 99 | 107 | 97 | 105 | 99 | 104 | 98 | 102 | 97 | 101 | 96 | 95 | 93 |  |  |  |  |

JIS C 8030:2014

三菱電機照明株式会社