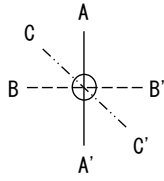
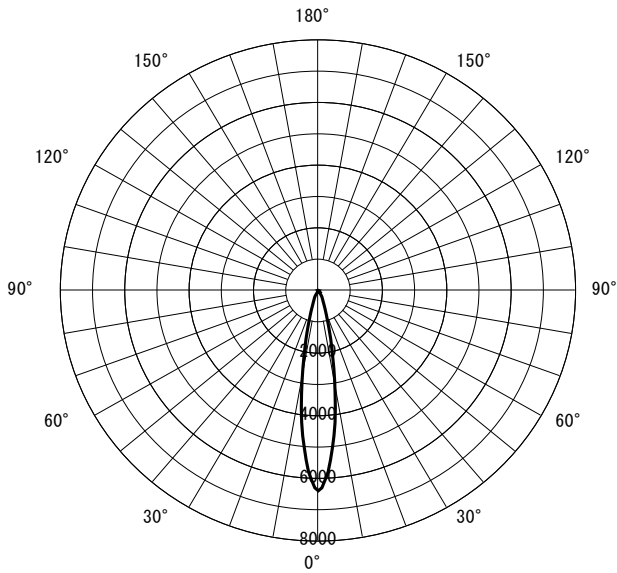


|        |                   |    |  |      |
|--------|-------------------|----|--|------|
| 形名     | EL-SL20022L/W 1HN | 電源 |  | ○諸特性 |
| 出力     | 固定出力              | 温度 |  |      |
| モード    | 定格                |    |  |      |
| オプション1 | EL-X111W          |    |  |      |
| オプション2 |                   |    |  |      |
| オプション3 |                   |    |  |      |
| オプション4 |                   |    |  |      |
| オプション5 |                   |    |  |      |



|                |      |       |        |        |       |    |       |
|----------------|------|-------|--------|--------|-------|----|-------|
| 光源             |      | LED   |        |        |       |    |       |
| 最大<br>取付<br>間隔 | 高さ   | H     |        |        |       |    |       |
|                | A-A' | 0.3 H |        |        |       |    |       |
|                | B-B' | 0.3 H |        |        |       |    |       |
| 器具効率           |      | 上方光束  | 下方光束   | 計      |       |    |       |
|                |      | 0.0%  | 100.0% | 100.0% |       |    |       |
| 保守率            |      | 良い    | 0.670  | 普通     | 0.630 | 悪い | 0.560 |

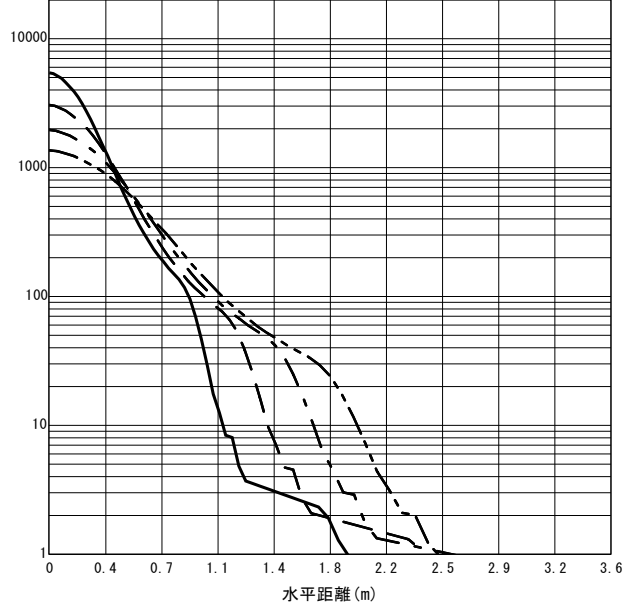
○配光曲線図 (cd/1000lm)



○直射水平面照度

(全光束 : 1920 × 1 = 1920lm/台)

照度 (lx) — H1.50m --- H2.00m - - - H2.50m - · - · H3.00m (保守率 : 1.00)



| 反射率 (%) |                 |     |     |     |     |     |     |     |     |     |     |     |     |     |     |     |     |     |     |     |     |     |     |     |     |     |     |     |     |     |     |     |     |     |
|---------|-----------------|-----|-----|-----|-----|-----|-----|-----|-----|-----|-----|-----|-----|-----|-----|-----|-----|-----|-----|-----|-----|-----|-----|-----|-----|-----|-----|-----|-----|-----|-----|-----|-----|-----|
| 天井      | 80              |     |     |     |     |     |     |     | 70  |     |     |     | 50  |     |     |     | 30  |     |     |     | 20  | 0   |     |     |     |     |     |     |     |     |     |     |     |     |
| 壁       | 70              | 50  | 30  | 10  | 70  | 50  | 30  | 10  | 70  | 50  | 30  | 10  | 70  | 50  | 30  | 10  | 70  | 50  | 30  | 10  | 10  | 0   |     |     |     |     |     |     |     |     |     |     |     |     |
| 床       | 30              | 10  | 30  | 10  | 30  | 10  | 30  | 10  | 30  | 10  | 30  | 10  | 30  | 10  | 30  | 10  | 30  | 10  | 30  | 10  | 30  | 10  | 30  | 10  | 30  | 10  | 30  | 10  | 30  | 10  | 30  | 10  | 0   |     |
| 室指数     | 作業面照明率 (× 0.01) |     |     |     |     |     |     |     |     |     |     |     |     |     |     |     |     |     |     |     |     |     |     |     |     |     |     |     |     |     |     |     |     |     |
| 0.60    | 102             | 94  | 95  | 90  | 90  | 88  | 87  | 86  | 101 | 94  | 94  | 90  | 90  | 87  | 87  | 86  | 99  | 93  | 93  | 89  | 89  | 87  | 87  | 86  | 97  | 92  | 92  | 89  | 89  | 87  | 86  | 85  | 85  | 85  |
| 0.80    | 108             | 98  | 101 | 94  | 96  | 92  | 92  | 90  | 106 | 97  | 100 | 94  | 95  | 92  | 92  | 90  | 103 | 96  | 98  | 93  | 94  | 91  | 91  | 90  | 101 | 95  | 96  | 93  | 93  | 91  | 91  | 89  | 89  | 89  |
| 1.00    | 112             | 100 | 105 | 97  | 100 | 95  | 96  | 93  | 110 | 100 | 103 | 97  | 99  | 94  | 96  | 93  | 106 | 98  | 101 | 96  | 97  | 94  | 95  | 92  | 103 | 97  | 99  | 95  | 96  | 93  | 93  | 92  | 92  | 91  |
| 1.25    | 115             | 102 | 108 | 99  | 104 | 97  | 100 | 95  | 113 | 101 | 107 | 99  | 102 | 97  | 99  | 95  | 108 | 100 | 104 | 98  | 100 | 96  | 98  | 95  | 105 | 99  | 101 | 97  | 98  | 95  | 96  | 94  | 94  | 93  |
| 1.50    | 117             | 103 | 111 | 101 | 107 | 99  | 103 | 97  | 115 | 103 | 109 | 100 | 105 | 98  | 102 | 97  | 110 | 101 | 106 | 99  | 102 | 98  | 100 | 96  | 106 | 100 | 103 | 98  | 100 | 97  | 98  | 96  | 95  | 94  |
| 2.00    | 121             | 105 | 115 | 103 | 111 | 101 | 108 | 100 | 118 | 104 | 113 | 102 | 109 | 101 | 106 | 99  | 112 | 102 | 108 | 101 | 105 | 99  | 103 | 98  | 107 | 101 | 104 | 100 | 102 | 98  | 100 | 97  | 97  | 96  |
| 2.50    | 123             | 106 | 118 | 104 | 114 | 103 | 111 | 101 | 119 | 105 | 115 | 103 | 112 | 102 | 109 | 101 | 113 | 103 | 110 | 102 | 108 | 101 | 105 | 100 | 108 | 101 | 106 | 100 | 104 | 99  | 102 | 99  | 98  | 97  |
| 3.00    | 124             | 107 | 120 | 105 | 116 | 104 | 113 | 102 | 121 | 106 | 117 | 104 | 114 | 103 | 111 | 102 | 114 | 104 | 111 | 103 | 109 | 102 | 107 | 101 | 109 | 102 | 107 | 101 | 105 | 100 | 103 | 99  | 99  | 98  |
| 4.00    | 126             | 107 | 123 | 106 | 120 | 105 | 117 | 104 | 122 | 106 | 119 | 105 | 117 | 104 | 114 | 103 | 115 | 104 | 113 | 103 | 111 | 103 | 109 | 102 | 109 | 103 | 108 | 102 | 106 | 101 | 105 | 101 | 100 | 98  |
| 5.00    | 127             | 108 | 124 | 107 | 122 | 106 | 119 | 105 | 123 | 107 | 121 | 106 | 119 | 105 | 116 | 104 | 116 | 105 | 114 | 104 | 112 | 103 | 111 | 103 | 110 | 103 | 108 | 102 | 107 | 102 | 106 | 101 | 101 | 99  |
| 7.00    | 129             | 108 | 127 | 108 | 125 | 107 | 123 | 106 | 125 | 107 | 123 | 107 | 121 | 106 | 119 | 105 | 117 | 105 | 115 | 105 | 114 | 104 | 113 | 104 | 110 | 103 | 109 | 103 | 108 | 102 | 107 | 102 | 101 | 100 |
| 10.00   | 130             | 109 | 128 | 108 | 127 | 108 | 125 | 107 | 126 | 108 | 124 | 107 | 123 | 107 | 121 | 106 | 117 | 106 | 116 | 105 | 115 | 105 | 114 | 104 | 110 | 104 | 110 | 103 | 109 | 103 | 108 | 103 | 102 | 100 |

JIS C 8030:2014

三菱電機照明株式会社