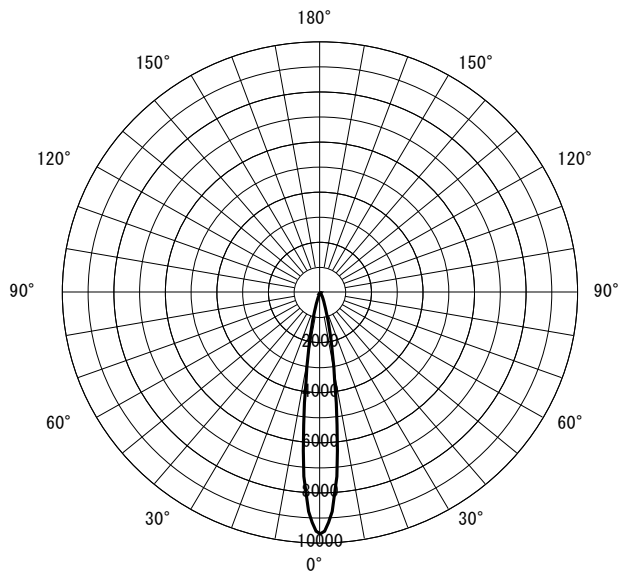


| | | | | |
|--------|--------------------|----|--|------|
| 形名 | EL-SL30021W/W 1HTN | 電源 | | ○諸特性 |
| 出力 | 段調光 | 温度 | | |
| モード | 定格 | | | |
| オプション1 | EL-X111W | | | |
| オプション2 | | | | |
| オプション3 | | | | |
| オプション4 | | | | |
| オプション5 | | | | |

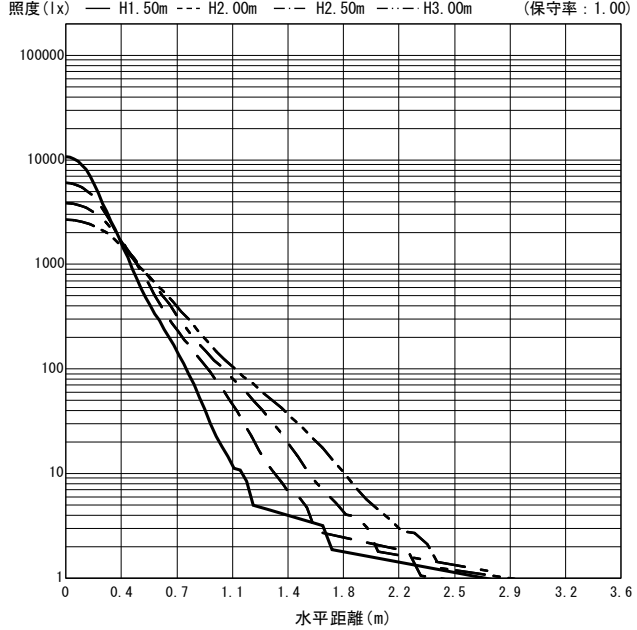


| | | | | | | | |
|----------------|------|-------|--------|--------|-------|----|-------|
| 光源 | | LED | | | | | |
| 最大 取付 間隔 | 高さ | H | | | | | |
| | A-A' | 0.3 H | | | | | |
| | B-B' | 0.3 H | | | | | |
| 器具効率 | | 上方光束 | 下方光束 | 計 | | | |
| | | 0.0% | 100.0% | 100.0% | | | |
| 保守率 | | 良い | 0.670 | 普通 | 0.630 | 悪い | 0.560 |

○配光曲線図 (cd/1000lm)



○直射水平面照度 (全光束 : 2515 × 1 = 2515lm/台)



| 反射率 (%) | | | | | | | | | | | | | | | | | | | | | | | | | | | | | | | | | | |
|---------|----------------|-----|-----|-----|-----|-----|-----|-----|-----|-----|-----|-----|-----|-----|-----|-----|-----|-----|-----|-----|-----|-----|-----|-----|-----|-----|-----|-----|-----|-----|-----|-----|-----|-----|
| 天井 | 80 | | | | 70 | | | | 50 | | | | 30 | | | | 20 | 0 | | | | | | | | | | | | | | | | |
| 壁 | 70 | 50 | 30 | 10 | 70 | 50 | 30 | 10 | 70 | 50 | 30 | 10 | 70 | 50 | 30 | 10 | 70 | 50 | 30 | 10 | 10 | 0 | | | | | | | | | | | | |
| 床 | 30 | 10 | 30 | 10 | 30 | 10 | 30 | 10 | 30 | 10 | 30 | 10 | 30 | 10 | 30 | 10 | 30 | 10 | 30 | 10 | 30 | 10 | 30 | 10 | 30 | 10 | 10 | 0 | | | | | | |
| 室指数 | 作業面照度 (× 0.01) | | | | | | | | | | | | | | | | | | | | | | | | | | | | | | | | | |
| 0.60 | 108 | 99 | 101 | 96 | 97 | 94 | 94 | 93 | 107 | 99 | 100 | 96 | 97 | 94 | 94 | 93 | 105 | 98 | 99 | 96 | 96 | 94 | 93 | 92 | 103 | 97 | 98 | 95 | 95 | 93 | 93 | 92 | 92 | 92 |
| 0.80 | 113 | 102 | 106 | 99 | 101 | 97 | 98 | 96 | 111 | 102 | 105 | 99 | 101 | 97 | 98 | 96 | 108 | 101 | 103 | 98 | 99 | 97 | 97 | 95 | 105 | 100 | 101 | 98 | 98 | 96 | 96 | 95 | 95 | 94 |
| 1.00 | 116 | 104 | 109 | 101 | 105 | 99 | 101 | 98 | 114 | 103 | 108 | 101 | 104 | 99 | 101 | 98 | 110 | 102 | 105 | 100 | 102 | 98 | 99 | 97 | 107 | 101 | 103 | 99 | 100 | 98 | 98 | 97 | 97 | 96 |
| 1.25 | 119 | 105 | 112 | 103 | 108 | 101 | 104 | 100 | 116 | 105 | 111 | 102 | 107 | 101 | 104 | 99 | 112 | 103 | 108 | 101 | 104 | 100 | 102 | 99 | 108 | 102 | 105 | 101 | 102 | 99 | 100 | 98 | 98 | 97 |
| 1.50 | 121 | 106 | 115 | 104 | 110 | 102 | 107 | 101 | 118 | 106 | 113 | 104 | 109 | 102 | 106 | 101 | 113 | 104 | 109 | 102 | 106 | 101 | 104 | 100 | 109 | 103 | 106 | 101 | 104 | 100 | 102 | 99 | 99 | 98 |
| 2.00 | 124 | 108 | 118 | 106 | 114 | 104 | 111 | 103 | 121 | 107 | 116 | 105 | 112 | 104 | 110 | 103 | 115 | 105 | 112 | 104 | 109 | 103 | 107 | 102 | 110 | 104 | 108 | 103 | 105 | 102 | 104 | 101 | 100 | 99 |
| 2.50 | 126 | 108 | 121 | 107 | 117 | 105 | 114 | 104 | 122 | 108 | 118 | 106 | 115 | 105 | 112 | 104 | 116 | 106 | 113 | 105 | 111 | 104 | 109 | 103 | 111 | 104 | 109 | 103 | 107 | 102 | 105 | 102 | 101 | 100 |
| 3.00 | 127 | 109 | 123 | 108 | 119 | 106 | 116 | 105 | 123 | 108 | 120 | 107 | 117 | 106 | 114 | 105 | 117 | 106 | 114 | 105 | 112 | 104 | 110 | 103 | 111 | 104 | 109 | 104 | 108 | 103 | 106 | 102 | 102 | 100 |
| 4.00 | 129 | 110 | 125 | 109 | 123 | 108 | 120 | 107 | 125 | 109 | 122 | 108 | 119 | 107 | 117 | 106 | 118 | 107 | 116 | 106 | 114 | 105 | 112 | 105 | 112 | 105 | 110 | 104 | 109 | 104 | 108 | 103 | 102 | 101 |
| 5.00 | 130 | 110 | 127 | 109 | 125 | 108 | 122 | 108 | 126 | 109 | 123 | 108 | 121 | 107 | 119 | 107 | 118 | 107 | 117 | 106 | 115 | 106 | 114 | 105 | 112 | 105 | 111 | 105 | 110 | 104 | 108 | 104 | 103 | 101 |
| 7.00 | 132 | 111 | 129 | 110 | 127 | 109 | 125 | 109 | 127 | 109 | 125 | 109 | 123 | 108 | 122 | 108 | 119 | 107 | 118 | 107 | 117 | 106 | 115 | 106 | 112 | 105 | 111 | 105 | 110 | 105 | 110 | 104 | 103 | 102 |
| 10.00 | 133 | 111 | 131 | 110 | 129 | 110 | 128 | 110 | 128 | 110 | 127 | 109 | 125 | 109 | 124 | 109 | 120 | 108 | 119 | 107 | 118 | 107 | 117 | 107 | 112 | 106 | 112 | 105 | 111 | 105 | 111 | 105 | 104 | 102 |

JIS C 8030:2014

三菱電機照明株式会社