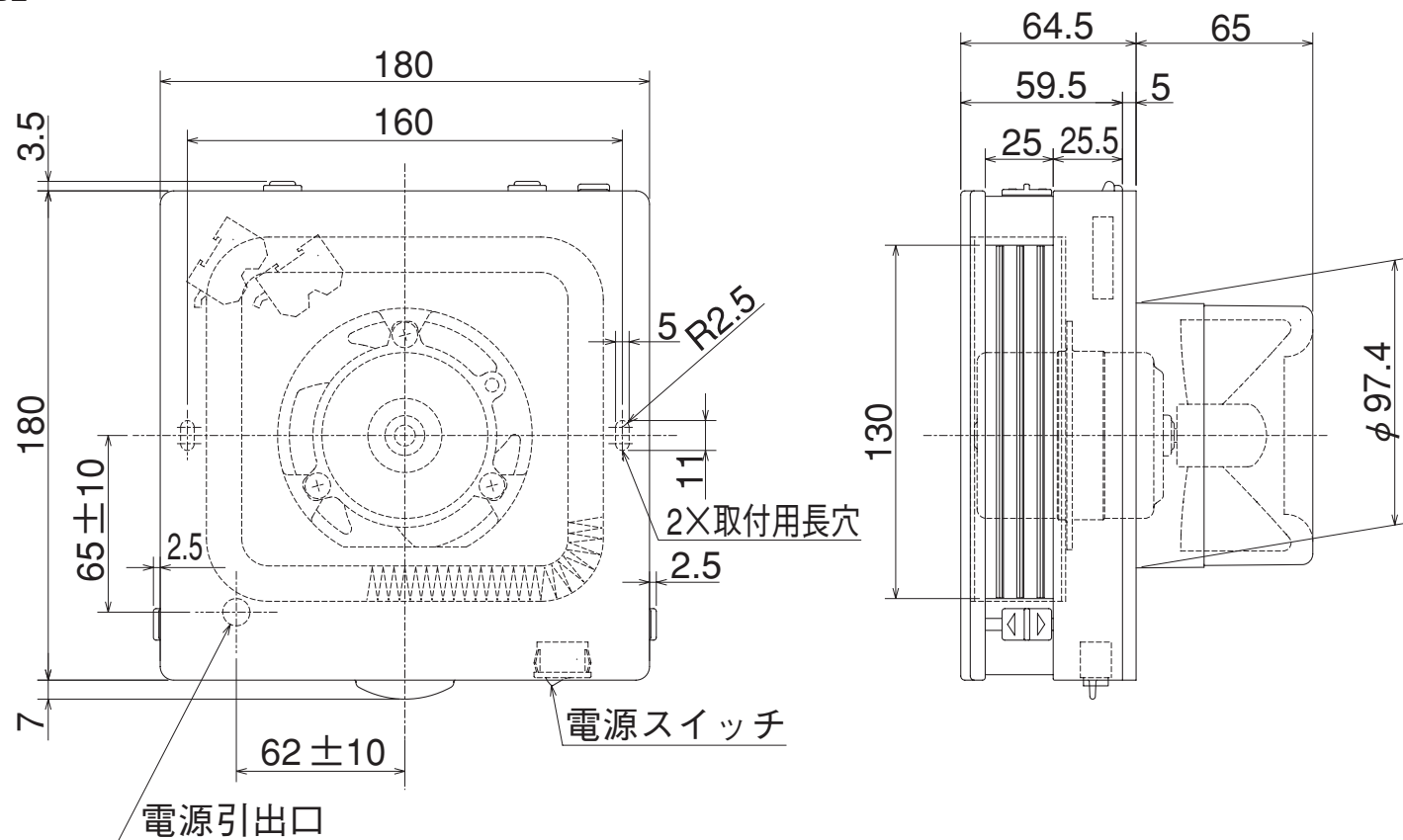


V-08PQF<sub>2</sub>-BE



(単位mm)