

| 仕 様 表   |                |                     |   | セット形名   | MPK-P50GLD  |                       |                       |   |    |        |    |    |       |      |   |        |       |   |    |        |        |   |    |      |      |    |           |       |                 |                 |         |         |   |    |      |                       |        |      |        |      |       |      |                 |          |
|---|----------------|---------------------|---|---|---|-----------------------|-----------------------|---|----|--------|----|----|-------|------|---|--------|-------|---|----|--------|--------|---|----|------|------|----|-----------|-------|-----------------|-----------------|---------|---------|---|----|------|-----------------------|--------|------|--------|------|-------|------|-----------------|----------|
| 電 源   |                | 電 源 ・ 三 相 200V      |   | 機外配線要領  |   |                       |                       |   |    |        |    |    |       |      |   |        |       |   |    |        |        |   |    |      |      |    |           |       |                 |                 |         |         |   |    |      |                       |        |      |        |      |       |      |                 |          |
| 電 源 周 波 数   | Hz             | 50Hz                |   | 機外配線  | <table border="1"> <tr> <td rowspan="2">漏電遮断器</td> <td>定格電流</td> <td>A</td> <td>15</td> </tr> <tr> <td>定格感度電流</td> <td>mA</td> <td>30</td> </tr> <tr> <td rowspan="2">手元開閉器</td> <td>動作時間</td> <td>—</td> <td>0.1S以内</td> </tr> <tr> <td>開閉器容量</td> <td>A</td> <td>15</td> </tr> <tr> <td rowspan="2">配線用遮断器</td> <td>B種ヒューズ</td> <td>B</td> <td>15</td> </tr> <tr> <td>定格電流</td> <td>A</td> <td>15</td> </tr> <tr> <td>ユニット電源線太さ</td> <td>C</td> <td>mm<sup>2</sup></td> <td>2.0</td> </tr> <tr> <td rowspan="2">内外接続線太さ</td> <td>50m以下</td> <td>D</td> <td>mm</td> <td>φ1.6</td> </tr> <tr> <td>80m以下</td> <td>mm</td> <td>φ1.6</td> </tr> <tr> <td>アース線太さ</td> <td>E</td> <td>mm</td> <td>φ1.6</td> </tr> </table>   | 漏電遮断器                 | 定格電流                  | A | 15 | 定格感度電流 | mA | 30 | 手元開閉器 | 動作時間 | — | 0.1S以内 | 開閉器容量 | A | 15 | 配線用遮断器 | B種ヒューズ | B | 15 | 定格電流 | A    | 15 | ユニット電源線太さ | C     | mm <sup>2</sup> | 2.0             | 内外接続線太さ | 50m以下   | D | mm | φ1.6 | 80m以下                 | mm     | φ1.6 | アース線太さ | E    | mm    | φ1.6 |                 |          |
| 漏電遮断器   | 定格電流           | A                   | 15  |   |   |                       |                       |   |    |        |    |    |       |      |   |        |       |   |    |        |        |   |    |      |      |    |           |       |                 |                 |         |         |   |    |      |                       |        |      |        |      |       |      |                 |          |
|   | 定格感度電流         | mA                  | 30  |   |   |                       |                       |   |    |        |    |    |       |      |   |        |       |   |    |        |        |   |    |      |      |    |           |       |                 |                 |         |         |   |    |      |                       |        |      |        |      |       |      |                 |          |
| 手元開閉器   | 動作時間           | —                   | 0.1S以内  |   |   |                       |                       |   |    |        |    |    |       |      |   |        |       |   |    |        |        |   |    |      |      |    |           |       |                 |                 |         |         |   |    |      |                       |        |      |        |      |       |      |                 |          |
|   | 開閉器容量          | A                   | 15  |   |   |                       |                       |   |    |        |    |    |       |      |   |        |       |   |    |        |        |   |    |      |      |    |           |       |                 |                 |         |         |   |    |      |                       |        |      |        |      |       |      |                 |          |
| 配線用遮断器  | B種ヒューズ         | B                   | 15  |   |   |                       |                       |   |    |        |    |    |       |      |   |        |       |   |    |        |        |   |    |      |      |    |           |       |                 |                 |         |         |   |    |      |                       |        |      |        |      |       |      |                 |          |
|   | 定格電流           | A                   | 15  |   |   |                       |                       |   |    |        |    |    |       |      |   |        |       |   |    |        |        |   |    |      |      |    |           |       |                 |                 |         |         |   |    |      |                       |        |      |        |      |       |      |                 |          |
| ユニット電源線太さ   | C              | mm <sup>2</sup>     | 2.0   |   |   |                       |                       |   |    |        |    |    |       |      |   |        |       |   |    |        |        |   |    |      |      |    |           |       |                 |                 |         |         |   |    |      |                       |        |      |        |      |       |      |                 |          |
| 内外接続線太さ   | 50m以下          | D                   | mm  |   |   | φ1.6                  |                       |   |    |        |    |    |       |      |   |        |       |   |    |        |        |   |    |      |      |    |           |       |                 |                 |         |         |   |    |      |                       |        |      |        |      |       |      |                 |          |
|   | 80m以下          | mm                  | φ1.6  |   |   |                       |                       |   |    |        |    |    |       |      |   |        |       |   |    |        |        |   |    |      |      |    |           |       |                 |                 |         |         |   |    |      |                       |        |      |        |      |       |      |                 |          |
| アース線太さ  | E              | mm                  | φ1.6  |   |   |                       |                       |   |    |        |    |    |       |      |   |        |       |   |    |        |        |   |    |      |      |    |           |       |                 |                 |         |         |   |    |      |                       |        |      |        |      |       |      |                 |          |
| 冷房標準性能  | 冷房能力           | kW                  | 4.5(1.8~5.0)                                      | 室内ユニット電源<br>(*内外別受電接続時)   | <table border="1"> <tr> <td rowspan="2">漏電遮断器</td> <td>定格電流</td> <td>A</td> <td>15</td> </tr> <tr> <td>定格感度電流</td> <td>mA</td> <td>30</td> </tr> <tr> <td rowspan="2">手元開閉器</td> <td>動作時間</td> <td>—</td> <td>0.1S以内</td> </tr> <tr> <td>開閉器容量</td> <td>A</td> <td>15</td> </tr> <tr> <td rowspan="2">配線用遮断器</td> <td>B種ヒューズ</td> <td>H</td> <td>A</td> <td>15</td> </tr> <tr> <td>定格電流</td> <td>A</td> <td>15</td> </tr> <tr> <td>電源線太さ</td> <td>I</td> <td>mm<sup>2</sup></td> <td>2.0</td> </tr> <tr> <td rowspan="2">内外接続線太さ</td> <td>—</td> <td>K</td> <td>—</td> <td>0.3mm<sup>2</sup>以上</td> </tr> <tr> <td>アース線太さ</td> <td>J</td> <td>mm</td> <td>φ1.6</td> </tr> <tr> <td>リモコン線</td> <td>F</td> <td>mm<sup>2</sup></td> <td>0.3~1.25</td> </tr> </table> | 漏電遮断器                 | 定格電流                  | A | 15 | 定格感度電流 | mA | 30 | 手元開閉器 | 動作時間 | — | 0.1S以内 | 開閉器容量 | A | 15 | 配線用遮断器 | B種ヒューズ | H | A  | 15   | 定格電流 | A  | 15        | 電源線太さ | I               | mm <sup>2</sup> | 2.0     | 内外接続線太さ | — | K  | —    | 0.3mm <sup>2</sup> 以上 | アース線太さ | J    | mm     | φ1.6 | リモコン線 | F    | mm <sup>2</sup> | 0.3~1.25 |
| 漏電遮断器   | 定格電流           | A                   | 15  |   |   |                       |                       |   |    |        |    |    |       |      |   |        |       |   |    |        |        |   |    |      |      |    |           |       |                 |                 |         |         |   |    |      |                       |        |      |        |      |       |      |                 |          |
|   | 定格感度電流         | mA                  | 30  |   |   |                       |                       |   |    |        |    |    |       |      |   |        |       |   |    |        |        |   |    |      |      |    |           |       |                 |                 |         |         |   |    |      |                       |        |      |        |      |       |      |                 |          |
| 手元開閉器   | 動作時間           | —                   | 0.1S以内  |   |   |                       |                       |   |    |        |    |    |       |      |   |        |       |   |    |        |        |   |    |      |      |    |           |       |                 |                 |         |         |   |    |      |                       |        |      |        |      |       |      |                 |          |
|   | 開閉器容量          | A                   | 15  |   |   |                       |                       |   |    |        |    |    |       |      |   |        |       |   |    |        |        |   |    |      |      |    |           |       |                 |                 |         |         |   |    |      |                       |        |      |        |      |       |      |                 |          |
| 配線用遮断器  | B種ヒューズ         | H                   | A   |   |   | 15                    |                       |   |    |        |    |    |       |      |   |        |       |   |    |        |        |   |    |      |      |    |           |       |                 |                 |         |         |   |    |      |                       |        |      |        |      |       |      |                 |          |
|   | 定格電流           | A                   | 15  |   |   |                       |                       |   |    |        |    |    |       |      |   |        |       |   |    |        |        |   |    |      |      |    |           |       |                 |                 |         |         |   |    |      |                       |        |      |        |      |       |      |                 |          |
| 電源線太さ   | I              | mm <sup>2</sup>     | 2.0   |   |   |                       |                       |   |    |        |    |    |       |      |   |        |       |   |    |        |        |   |    |      |      |    |           |       |                 |                 |         |         |   |    |      |                       |        |      |        |      |       |      |                 |          |
| 内外接続線太さ   | —              | K                   | —   |   |   | 0.3mm <sup>2</sup> 以上 |                       |   |    |        |    |    |       |      |   |        |       |   |    |        |        |   |    |      |      |    |           |       |                 |                 |         |         |   |    |      |                       |        |      |        |      |       |      |                 |          |
|   | アース線太さ         | J                   | mm  |   |   | φ1.6                  |                       |   |    |        |    |    |       |      |   |        |       |   |    |        |        |   |    |      |      |    |           |       |                 |                 |         |         |   |    |      |                       |        |      |        |      |       |      |                 |          |
| リモコン線   | F              | mm <sup>2</sup>     | 0.3~1.25  |   |   |                       |                       |   |    |        |    |    |       |      |   |        |       |   |    |        |        |   |    |      |      |    |           |       |                 |                 |         |         |   |    |      |                       |        |      |        |      |       |      |                 |          |
| 暖房標準性能  | 暖房能力           | kW                  | —   | 電 源 単相・200V   |   |                       |                       |   |    |        |    |    |       |      |   |        |       |   |    |        |        |   |    |      |      |    |           |       |                 |                 |         |         |   |    |      |                       |        |      |        |      |       |      |                 |          |
| 暖房低温性能  | 暖房低温能力         | kW                  | —   | G   | 定格電流  | A                     | 15                    |   |    |        |    |    |       |      |   |        |       |   |    |        |        |   |    |      |      |    |           |       |                 |                 |         |         |   |    |      |                       |        |      |        |      |       |      |                 |          |
|   | 暖房低温消費電力       | kW                  | —   |   | 動作時間  | —                     | 0.1S以内                |   |    |        |    |    |       |      |   |        |       |   |    |        |        |   |    |      |      |    |           |       |                 |                 |         |         |   |    |      |                       |        |      |        |      |       |      |                 |          |
| C O P ( 平 均 )   | —              | —                   | —   | H   | 開閉器容量   | A                     | 15                    |   |    |        |    |    |       |      |   |        |       |   |    |        |        |   |    |      |      |    |           |       |                 |                 |         |         |   |    |      |                       |        |      |        |      |       |      |                 |          |
|   | —              | —                   | —   |   | 配線用遮断器  | A                     | 15                    |   |    |        |    |    |       |      |   |        |       |   |    |        |        |   |    |      |      |    |           |       |                 |                 |         |         |   |    |      |                       |        |      |        |      |       |      |                 |          |
| 最大運転電流  | A              | 8.5                 |   | I   | 電源線太さ   | mm <sup>2</sup>       | 2.0                   |   |    |        |    |    |       |      |   |        |       |   |    |        |        |   |    |      |      |    |           |       |                 |                 |         |         |   |    |      |                       |        |      |        |      |       |      |                 |          |
| 室内ユニット  | 室内形名           | MPK-RP50GA2         |   | K   | 内外接続線太さ   | —                     | 0.3mm <sup>2</sup> 以上 |   |    |        |    |    |       |      |   |        |       |   |    |        |        |   |    |      |      |    |           |       |                 |                 |         |         |   |    |      |                       |        |      |        |      |       |      |                 |          |
|   | 外形寸法<H×W×D>    | mm                  | 340×990×235                                       | J   | アース線太さ  | mm                    | φ1.6                  |   |    |        |    |    |       |      |   |        |       |   |    |        |        |   |    |      |      |    |           |       |                 |                 |         |         |   |    |      |                       |        |      |        |      |       |      |                 |          |
|   | 外装色<マンセル>      | —                   | ホワイト<0.70Y 8.59/0.97>                             | F   | mm <sup>2</sup>   | 0.3~1.25              | —                     |   |    |        |    |    |       |      |   |        |       |   |    |        |        |   |    |      |      |    |           |       |                 |                 |         |         |   |    |      |                       |        |      |        |      |       |      |                 |          |
|   | 補助電気ヒーター       | kW                  | —   |   |   |                       |                       |   |    |        |    |    |       |      |   |        |       |   |    |        |        |   |    |      |      |    |           |       |                 |                 |         |         |   |    |      |                       |        |      |        |      |       |      |                 |          |
|   | エアフィルター        | PPハニカム(抗菌仕様)        |   |   |   |                       |                       |   |    |        |    |    |       |      |   |        |       |   |    |        |        |   |    |      |      |    |           |       |                 |                 |         |         |   |    |      |                       |        |      |        |      |       |      |                 |          |
|   | 送風機(形式×出力×個数)  | —                   | ラインフローファン×0.03kW×1                                |   |   |                       |                       |   |    |        |    |    |       |      |   |        |       |   |    |        |        |   |    |      |      |    |           |       |                 |                 |         |         |   |    |      |                       |        |      |        |      |       |      |                 |          |
|   | 風 量            | m <sup>3</sup> /min | 静粛8-弱9.5-中10.5-強11.5                              |   |   |                       |                       |   |    |        |    |    |       |      |   |        |       |   |    |        |        |   |    |      |      |    |           |       |                 |                 |         |         |   |    |      |                       |        |      |        |      |       |      |                 |          |
|   | 機外静圧           | Pa                  | 0   |   |   |                       |                       |   |    |        |    |    |       |      |   |        |       |   |    |        |        |   |    |      |      |    |           |       |                 |                 |         |         |   |    |      |                       |        |      |        |      |       |      |                 |          |
|   | 風向調節           | 上下方向                | 10°, 30°, 50° (60°), 60° (70°) に設定可 ( )内は送風時・スイング |   |   |                       |                       |   |    |        |    |    |       |      |   |        |       |   |    |        |        |   |    |      |      |    |           |       |                 |                 |         |         |   |    |      |                       |        |      |        |      |       |      |                 |          |
|   |                | 左右方向                | 左右に各々25° の範囲で手動にて調整可                              |   |   |                       |                       |   |    |        |    |    |       |      |   |        |       |   |    |        |        |   |    |      |      |    |           |       |                 |                 |         |         |   |    |      |                       |        |      |        |      |       |      |                 |          |
| 室外ユニット  | 運転音            | dB                  | 静粛31-弱35-中38-強40                                  |   |   |                       |                       |   |    |        |    |    |       |      |   |        |       |   |    |        |        |   |    |      |      |    |           |       |                 |                 |         |         |   |    |      |                       |        |      |        |      |       |      |                 |          |
|   | 製品質量           | kg                  | 16  |   |   |                       |                       |   |    |        |    |    |       |      |   |        |       |   |    |        |        |   |    |      |      |    |           |       |                 |                 |         |         |   |    |      |                       |        |      |        |      |       |      |                 |          |
|   | ドレン配管サイズ       | —                   | VP-20   |   |   |                       |                       |   |    |        |    |    |       |      |   |        |       |   |    |        |        |   |    |      |      |    |           |       |                 |                 |         |         |   |    |      |                       |        |      |        |      |       |      |                 |          |
|   | 室外形名           | MPU-P50HA3          |   |   |   |                       |                       |   |    |        |    |    |       |      |   |        |       |   |    |        |        |   |    |      |      |    |           |       |                 |                 |         |         |   |    |      |                       |        |      |        |      |       |      |                 |          |
|   | 外形寸法<H×W×D>    | mm                  | 600×800×300(+23)                                  |   |   |                       |                       |   |    |        |    |    |       |      |   |        |       |   |    |        |        |   |    |      |      |    |           |       |                 |                 |         |         |   |    |      |                       |        |      |        |      |       |      |                 |          |
|   | 外装色<マンセル>      | —                   | アイボリー<3Y 7.8/1.1>                                 |   |   |                       |                       |   |    |        |    |    |       |      |   |        |       |   |    |        |        |   |    |      |      |    |           |       |                 |                 |         |         |   |    |      |                       |        |      |        |      |       |      |                 |          |
|   | 圧縮機            | 1日の冷凍能力             | 法定トン  | 0.160~0.790   |   |                       |                       |   |    |        |    |    |       |      |   |        |       |   |    |        |        |   |    |      |      |    |           |       |                 |                 |         |         |   |    |      |                       |        |      |        |      |       |      |                 |          |
|   | 保護装置           | 形式×出力×個数            | —   | 全密閉×1kW×1   |   |                       |                       |   |    |        |    |    |       |      |   |        |       |   |    |        |        |   |    |      |      |    |           |       |                 |                 |         |         |   |    |      |                       |        |      |        |      |       |      |                 |          |
|   | 送風機            | 保護装置                | —   | 吐出温度検知、過電流検知回路  |   |                       |                       |   |    |        |    |    |       |      |   |        |       |   |    |        |        |   |    |      |      |    |           |       |                 |                 |         |         |   |    |      |                       |        |      |        |      |       |      |                 |          |
|   | 送風機            | 形式×出力×個数            | —   | プロペラファン×0.03kW×1  |   |                       |                       |   |    |        |    |    |       |      |   |        |       |   |    |        |        |   |    |      |      |    |           |       |                 |                 |         |         |   |    |      |                       |        |      |        |      |       |      |                 |          |
| 共通事項  | 風 量            | m <sup>3</sup> /min | 34  |   |   |                       |                       |   |    |        |    |    |       |      |   |        |       |   |    |        |        |   |    |      |      |    |           |       |                 |                 |         |         |   |    |      |                       |        |      |        |      |       |      |                 |          |
|   | 送風機            | 用保護装置               | —   | 過熱/過電流保護  |   |                       |                       |   |    |        |    |    |       |      |   |        |       |   |    |        |        |   |    |      |      |    |           |       |                 |                 |         |         |   |    |      |                       |        |      |        |      |       |      |                 |          |
|   | 運転音(冷房/暖房)     | dB                  | 45  |   |   |                       |                       |   |    |        |    |    |       |      |   |        |       |   |    |        |        |   |    |      |      |    |           |       |                 |                 |         |         |   |    |      |                       |        |      |        |      |       |      |                 |          |
|   | 製品質量           | kg                  | 45  |   |   |                       |                       |   |    |        |    |    |       |      |   |        |       |   |    |        |        |   |    |      |      |    |           |       |                 |                 |         |         |   |    |      |                       |        |      |        |      |       |      |                 |          |
|   | 冷媒             | kg                  | R410A×1.7   |   |   |                       |                       |   |    |        |    |    |       |      |   |        |       |   |    |        |        |   |    |      |      |    |           |       |                 |                 |         |         |   |    |      |                       |        |      |        |      |       |      |                 |          |
|   | 冷媒配管長          | m                   | 20(追加チャージ時30)                                     |   |   |                       |                       |   |    |        |    |    |       |      |   |        |       |   |    |        |        |   |    |      |      |    |           |       |                 |                 |         |         |   |    |      |                       |        |      |        |      |       |      |                 |          |
|   | 高低差            | m                   | 30  |   |   |                       |                       |   |    |        |    |    |       |      |   |        |       |   |    |        |        |   |    |      |      |    |           |       |                 |                 |         |         |   |    |      |                       |        |      |        |      |       |      |                 |          |
|   | 室内側冷媒配管径(液/ガス) | mm                  | φ6.35/φ12.7                                       |   |   |                       |                       |   |    |        |    |    |       |      |   |        |       |   |    |        |        |   |    |      |      |    |           |       |                 |                 |         |         |   |    |      |                       |        |      |        |      |       |      |                 |          |
|   | 室外側冷媒配管径(液/ガス) | mm                  | φ6.35/φ12.7                                       |   |   |                       |                       |   |    |        |    |    |       |      |   |        |       |   |    |        |        |   |    |      |      |    |           |       |                 |                 |         |         |   |    |      |                       |        |      |        |      |       |      |                 |          |
|   | 温度設定(リモコン)     | 冷房・ドライ19~30°C       |   |   |   |                       |                       |   |    |        |    |    |       |      |   |        |       |   |    |        |        |   |    |      |      |    |           |       |                 |                 |         |         |   |    |      |                       |        |      |        |      |       |      |                 |          |
| 使用温度範囲  | 冷房             | 室内                  | 乾球温度19~32°C/湿球温度15~23°C                           |   |   |                       |                       |   |    |        |    |    |       |      |   |        |       |   |    |        |        |   |    |      |      |    |           |       |                 |                 |         |         |   |    |      |                       |        |      |        |      |       |      |                 |          |
|   |                | 室外                  | 乾球温度-5~43°C/ —                                    |   |   |                       |                       |   |    |        |    |    |       |      |   |        |       |   |    |        |        |   |    |      |      |    |           |       |                 |                 |         |         |   |    |      |                       |        |      |        |      |       |      |                 |          |
|   | 暖房             | 室内                  | —   |   |   |                       |                       |   |    |        |    |    |       |      |   |        |       |   |    |        |        |   |    |      |      |    |           |       |                 |                 |         |         |   |    |      |                       |        |      |        |      |       |      |                 |          |
|   |                | 室外                  | —   |   |   |                       |                       |   |    |        |    |    |       |      |   |        |       |   |    |        |        |   |    |      |      |    |           |       |                 |                 |         |         |   |    |      |                       |        |      |        |      |       |      |                 |          |
| セット別売形名   | リモコン           | PAR-SL9MA           |   |   |   |                       |                       |   |    |        |    |    |       |      |   |        |       |   |    |        |        |   |    |      |      |    |           |       |                 |                 |         |         |   |    |      |                       |        |      |        |      |       |      |                 |          |
| 注意事項  |                |                     |   |   |   |                       |                       |   |    |        |    |    |       |      |   |        |       |   |    |        |        |   |    |      |      |    |           |       |                 |                 |         |         |   |    |      |                       |        |      |        |      |       |      |                 |          |
| <p>1. 冷房能力および電気特性はJISB8615-1の条件で運転した場合の数値です。<br/>         定格冷房能力(室内側:乾球27.0°C,湿球19.0°C,外気温度:乾球35.0°C)<br/>         延長配管7.5m(相当長)、高低差0m</p> <p>2. 冷房能力の( )内は、能力変化の値を示します。</p> <p>3. 運転音は、JIS規格に準じて、反響の少ない無響室で測定した数値(Aスケール)です。<br/>         実際に据付た状態で測定すると、周囲の騒音や反響などの影響を受け、表示数値より、大きくなるのが普通です。</p> |                |                     |   |   |   |                       |                       |   |    |        |    |    |       |      |   |        |       |   |    |        |        |   |    |      |      |    |           |       |                 |                 |         |         |   |    |      |                       |        |      |        |      |       |      |                 |          |
|   |                |                     |   | 電 気 配 線 図   |   |                       |                       |   |    |        |    |    |       |      |   |        |       |   |    |        |        |   |    |      |      |    |           |       |                 |                 |         |         |   |    |      |                       |        |      |        |      |       |      |                 |          |
|   |                |                     |   | (1) 電源重畳方式  |   |                       |                       |   |    |        |    |    |       |      |   |        |       |   |    |        |        |   |    |      |      |    |           |       |                 |                 |         |         |   |    |      |                       |        |      |        |      |       |      |                 |          |
|   |                |                     |   | <p>※室内外の渡り配線の総延長が80m以上となる場合は、電源重畳方式での配線はできません。<br/>         必ず(2)内外別受電方式あるいは(3)室外ユニットより室内ユニットに電源を供給する方式にしてください。</p>   |   |                       |                       |   |    |        |    |    |       |      |   |        |       |   |    |        |        |   |    |      |      |    |           |       |                 |                 |         |         |   |    |      |                       |        |      |        |      |       |      |                 |          |
|   |                |                     |   | (2) 内外別受電方式   |   |                       |                       |   |    |        |    |    |       |      |   |        |       |   |    |        |        |   |    |      |      |    |           |       |                 |                 |         |         |   |    |      |                       |        |      |        |      |       |      |                 |          |
|   |                |                     |   | <p>※別売配線リブレスキットが必要です。</p>   |   |                       |                       |   |    |        |    |    |       |      |   |        |       |   |    |        |        |   |    |      |      |    |           |       |                 |                 |         |         |   |    |      |                       |        |      |        |      |       |      |                 |          |
|   |                |                     |   | (3) 室外ユニットより室内ユニットに電源を供給する方式  |   |                       |                       |   |    |        |    |    |       |      |   |        |       |   |    |        |        |   |    |      |      |    |           |       |                 |                 |         |         |   |    |      |                       |        |      |        |      |       |      |                 |          |
|   |                |                     |   | <p>※別売配線リブレスキットが必要です。</p>   |   |                       |                       |   |    |        |    |    |       |      |   |        |       |   |    |        |        |   |    |      |      |    |           |       |                 |                 |         |         |   |    |      |                       |        |      |        |      |       |      |                 |          |
|   |                |                     |   | (2)または(3)の場合、S1-S1間の渡り配線は絶対に行わないでください。  |   |                       |                       |   |    |        |    |    |       |      |   |        |       |   |    |        |        |   |    |      |      |    |           |       |                 |                 |         |         |   |    |      |                       |        |      |        |      |       |      |                 |          |
|   |                |                     |   | <p>※1. 電源には必ず漏電遮断器を取付けてください。<br/>         漏電遮断器は、インバーター回路用遮断器(三菱電機製NV-Cシリーズまたは、その同等品)を選定してください。</p> <p>※2. 漏電遮断器が地絡保護専用の場合には、漏電遮断器と直列に手元開閉器(開閉器+B種ヒューズ)または、配線用遮断器が必要となります。</p> <p>・電線太さは、20mまでの電圧降下を見込んで選定してありますので、20mを超える場合は、電圧降下を考慮して「内線規程」等に従い、お選びください。</p> <p>・電力会社の地区により規制を受ける場合がありますので、事前に所轄の電力会社にお問い合わせください。</p> |   |                       |                       |   |    |        |    |    |       |      |   |        |       |   |    |        |        |   |    |      |      |    |           |       |                 |                 |         |         |   |    |      |                       |        |      |        |      |       |      |                 |          |

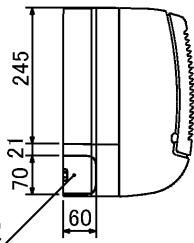
| 空冷式パッケージエアコン仕様書 |     | 壁掛形        |                   |             |    |    |
|-----------------|-----|------------|-------------------|-------------|----|----|
| グリーン購入法適合       |     | 形名         | <標準仕様> MPK-P50GLD |             |    |    |
| <br>三菱電機株式会社    | 作成日 | 2005-09-12 | 図番                | MPKP50GLD-5 | 副番 | 記号 |

| 形名    | 貫通スリーブ ※1 | 壁貫通穴    |
|-------|-----------|---------|
| 40~63 | φ75       | φ75~φ80 |

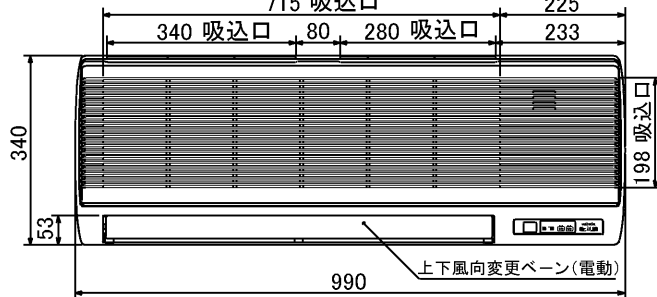
※1 貫通スリーブは現地にて手配してください。  
 ※2 この寸法は貫通穴の下端を示しており、  
 貫通穴は下端を基準に穴開けしてください。

左配管用ノックアウト穴  
 冷媒配管 ドレン配管 配線穴

左側面図



正面図

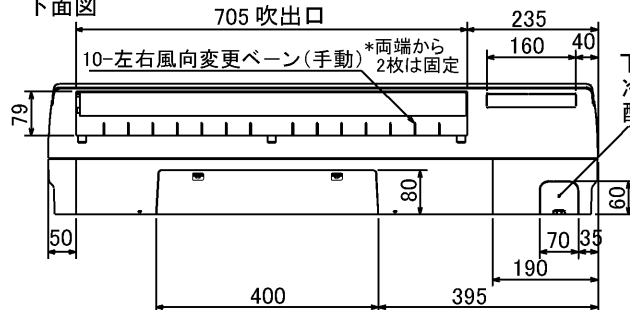


右側面図



右配管用ノックアウト穴  
 冷媒配管 ドレン配管 配線穴

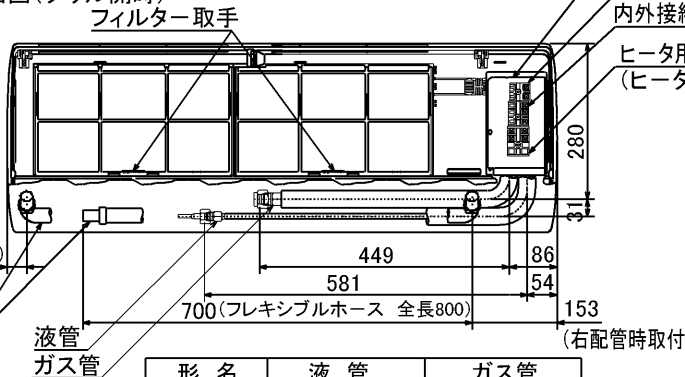
下面図



スイッチ表示部詳細

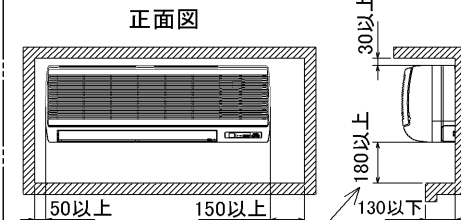


正面図(グリル開時)



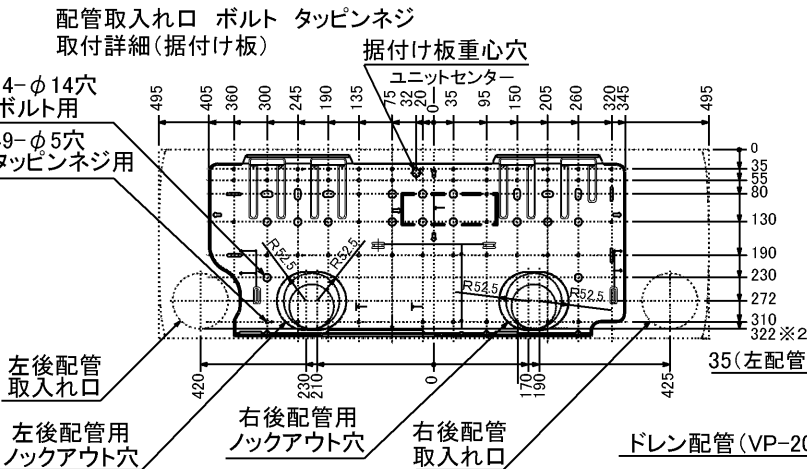
サービスパネル  
 (電源接続口)  
 ワイヤードリモコン用  
 端子台(別売)  
 内外接続用端子台  
 ヒータ用端子台  
 (ヒータ付のみ)

室内ユニット周囲必要空間



(ユニット据付け板用  
 スペース)

RG01N465



左後配管  
 取入れ口  
 左後配管用  
 ノックアウト穴

右後配管用  
 ノックアウト穴

右後配管  
 取入れ口

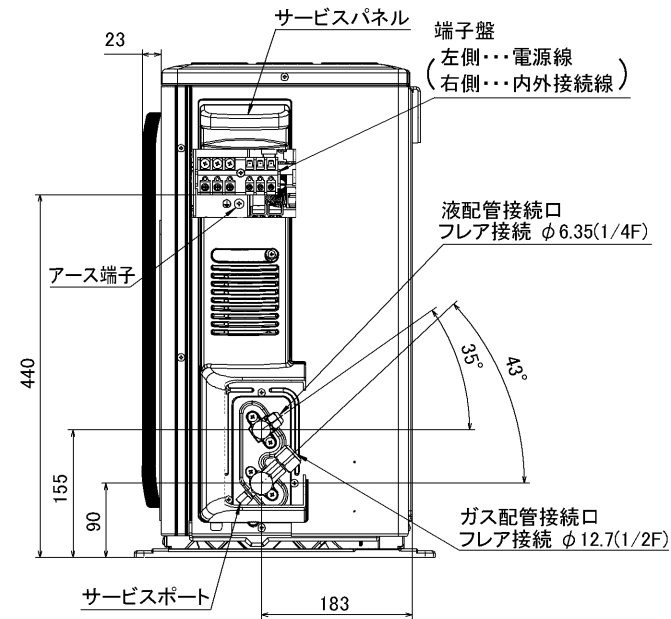
ドレン配管 (VP-20)

液管  
 ガス管

| 形名    | 液管          | ガス管         |
|-------|-------------|-------------|
| 40~63 | φ6.35<1/4F> | φ12.7<1/2F> |

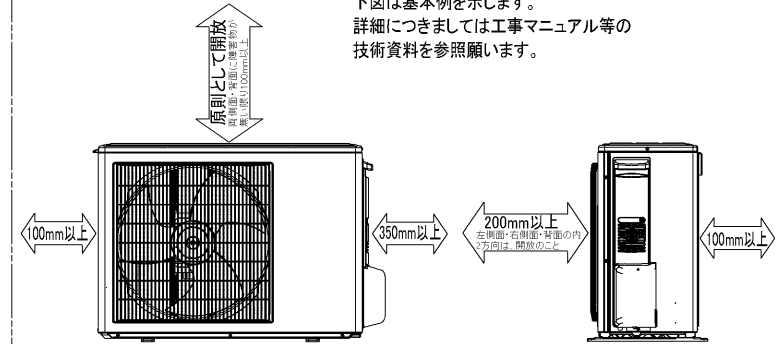
- 注 1) 天井の隅に廻り縁がある場合は、その寸法を考慮して据付けしてください。  
 2) 壁固定金具の取付ボルトはM10またはW3/8ネジを使用してください。  
 またタッピンネジは呼び径4,長さ35以上のものを使用し、  
 据付け板の(φ5)穴でネジ止めしてください。  
 この時ネジ締め位置が横一列とならない様に上下万遍なく締め付けてください。  
 3) ドレン配管はPVC管VP-20を使用してください。  
 4) 室内外接続線は極性がありますので  
 番号(S1,S2,S3)に従い配線してください。

|          |      |           |                                  |   |
|----------|------|-----------|----------------------------------|---|
| 単位       | スケール | 作成日       | 形名                               | MPK-RP40(S)・RP45(S)・RP50(S)・RP56(S)GA(H)2<br>MPKZ-RP63GA2 |
| mm       | NTS  | 2006-5-23 | パッケージエアコン室内ユニット外形図<br>(コンパクト壁掛形) |   |
| 三菱電機株式会社 |      |           | 図番                               | 7PVCA 副番 C 記号   |
|          |      |           | (形名コード)                          |   |



**設置スペース(周囲必要空間)**

下図は基本例を示します。  
詳細につきましては工事マニュアル等の  
技術資料を参照願います。



BK01B414

|          |      |           |                    |   |
|----------|------|-----------|--------------------|---|
| 単位       | スケール | 作成日       | 形名                 | MPUZ-P40(S)・45(S)・50(S)・56(S)・63(S)HA3(-BS(G))<br>MPU-P40(S)・45(S)・50(S)・56(S)・63(S)HA3 |
| mm       | NTS  | 2006-5-26 | パッケージエアコン室外ユニット外形図 |   |
| 三菱電機株式会社 |      |           | 図番<br>(形名コード)      | 7JMCDA 副番 A 記号  |

# 三菱電機パッケージエアコン用別売部品

ワイヤレスリモコン

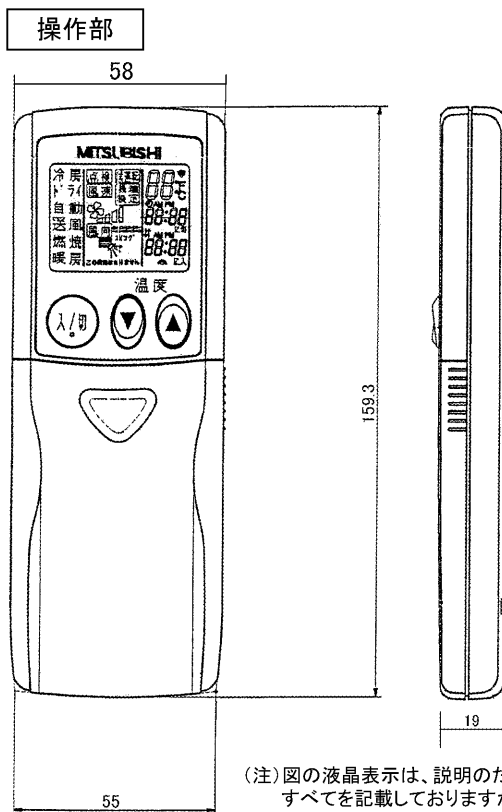
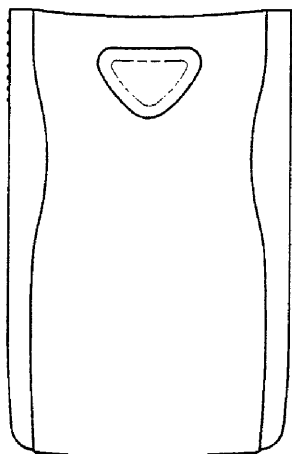
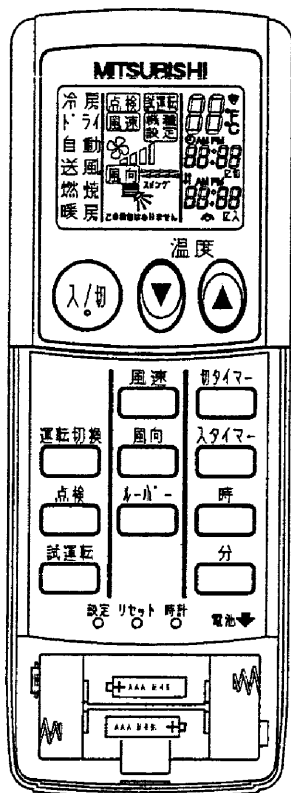
形名 PAR-SL9MA

## 1. 仕様

| 項目    | 内容  |
|-------|---|
| 運転/停止 | 運転: 運転内容を液晶表示   |
| 運転モード | 冷房/ドライ/送風/自動/暖房 切換・表示                                   |
| 室温調節  | 冷房/ドライ : 19~30°C/1°C単位で設定・表示                            |
|       | 暖房 : 17~28°C/1°C単位で設定・表示                                |
|       | 自動 : 19~28°C/1°C単位で設定・表示                                |
| 風速調節  | 静粛/弱/中/強 4ノッチ切換・表示                                      |
| 風向調節  | 上下: ペーンの吹出角度固定4段階・スイング 計5段階切換・表示<br>左右: “この機能はありません” 表示 |
| 時刻表示  | 時/分表示 (現在時刻・開始時刻・終了時刻)                                  |

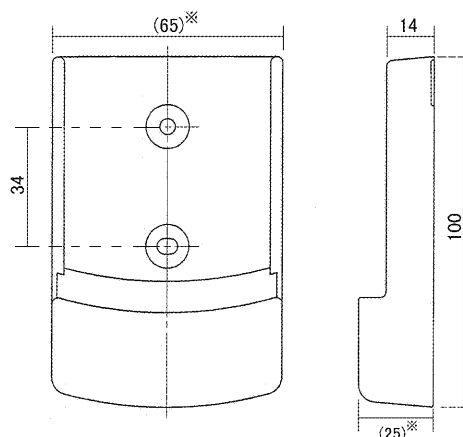
| 項目     | 内容                                      |
|--------|---|
| タイマー機能 | 10分単位で開始・終了時刻を各々設定・表示/1日                |
| 電源     | DC3V(単4アルカリ電池 2本使用(付属))                 |
| 使用環境条件 | 温度: 0~40°C 湿度: 30~90%RH(結露なきこと)         |
| 外形寸法   | H159.3 × W58 × D19                      |
| 外装     | ホワイト(ABS樹脂)                             |
| 据付方法   | 付属リモコンホルダーを壁面に直付け                       |
| 付属品    | 単4アルカリ乾電池2本・リモコンホルダーと取付用ネジ(4.1 × 16 2本) |

## 2. 外形図



(注) 図の液晶表示は、説明のためすべてを記載しておりますが、実際には該当部分のみ表示します。

リモコンホルダー ※ ( ) の寸法は実測値です。



三菱電機株式会社

パッケージエアコン用別売部品仕様書  
ワイヤレスリモコン

|     |            |    |        |    |  |     |
|-----|------------|----|--------|----|--|-----|
| 作成日 | 2004-10-15 | 図番 | 7EAA9M | 副番 |  | 1/1 |
|-----|------------|----|--------|----|--|-----|