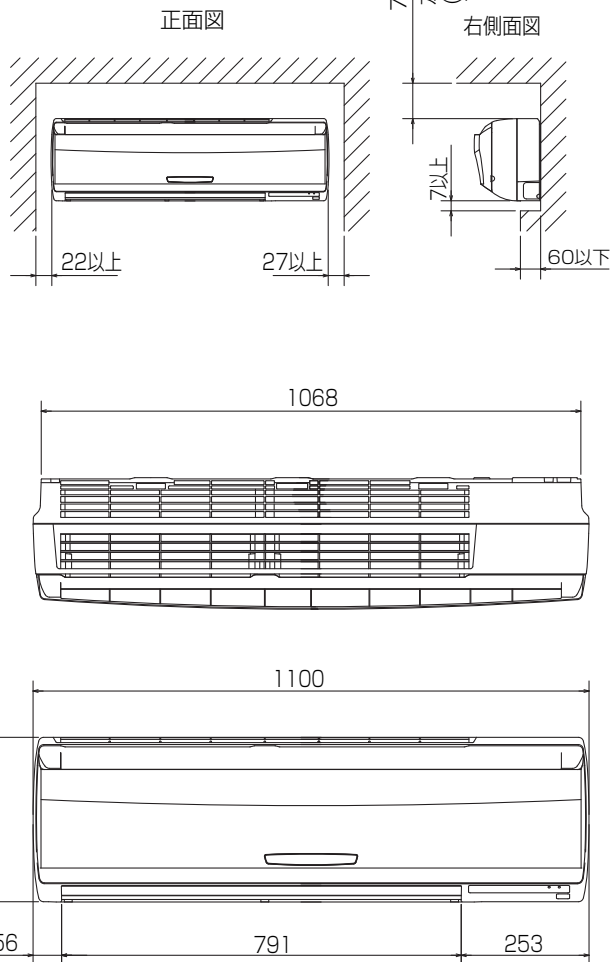


| 仕 様 表 | | | | 機外配線要領 | | | | | | | | | | | | | | | | | | | | | | | | | | | | | | | | | | | | | | | | | | | | | | | | | | | | | | | | | | | | | | | | | | | | | | | | | | | | | | | | | | | | | | | | | | | | | | | | | | | | | | | | | | | | | | | | | | | | |
|--|-----------------------|---|---------------------------|---|--------------|---|------|------------|---------------|---------|-------------------------|---------|--------------|------------------|----|----------------------|----|------------------|---|-------------------|---|-------------------|---------|----------|-------------|------|--------------|---------|-----------------|--------------|------|-------------------|----------------|-------------------------|-----|----------|---------------------|----------------------|---|------|----|-------------------|---|----------------------|------|---|---------------------|----|------|--|---|----------|----|-----------------|----|-------|----|------|----|-------|---|-------|----|----------|-------------|-------|---|---------------|-----|---|----|------------|----------------|----|--------------|----------------|----|--------------|--------|----|----|-------------------------|----|----------------|----|----|----------------|----|---------------------------|---------|--|--|--|------|--|--|--|---|--|--|--|----|---------------|--|-------------------------|--|-----|------------|----|----------------|----|----|--|--|--|--|--|--|--|--|
| 電 源 | | 電 源 ・ 三 相 200V | | 機外配線 | ユニット電源 (室外側) | 漏電遮断器 | 定格電流 | A | 20 | | | | | | | | | | | | | | | | | | | | | | | | | | | | | | | | | | | | | | | | | | | | | | | | | | | | | | | | | | | | | | | | | | | | | | | | | | | | | | | | | | | | | | | | | | | | | | | | | | | | | | | | | | | | | | | |
| 電 源 周 波 数 | | Hz 50Hz | | | | | | 定格感度電流 | A | mA | 30 | | | | | | | | | | | | | | | | | | | | | | | | | | | | | | | | | | | | | | | | | | | | | | | | | | | | | | | | | | | | | | | | | | | | | | | | | | | | | | | | | | | | | | | | | | | | | | | | | | | | | | | | | | | | | |
| 冷 房 | 定 格 | 定格冷房能力 | kW | | | 7.1(3.2~8.0) | | 動作時間 | — | — | 0.1S以内 | | | | | | | | | | | | | | | | | | | | | | | | | | | | | | | | | | | | | | | | | | | | | | | | | | | | | | | | | | | | | | | | | | | | | | | | | | | | | | | | | | | | | | | | | | | | | | | | | | | | | | | | | | | | | |
| | | 定格消費電力 | kW | | | 2.02 | | 手元開閉器 | 開閉器容量 | B | A | 30 | | | | | | | | | | | | | | | | | | | | | | | | | | | | | | | | | | | | | | | | | | | | | | | | | | | | | | | | | | | | | | | | | | | | | | | | | | | | | | | | | | | | | | | | | | | | | | | | | | | | | | | | | | | | |
| | | 冷房エネルギー消費効率(COP) | — | | | 3.51 | | | B種ヒューズ | A | 20 | | | | | | | | | | | | | | | | | | | | | | | | | | | | | | | | | | | | | | | | | | | | | | | | | | | | | | | | | | | | | | | | | | | | | | | | | | | | | | | | | | | | | | | | | | | | | | | | | | | | | | | | | | | | | |
| | | 運転電流 | A | | | 6.3 | | 配線用遮断器定格電流 | ユニット電源線太さ | C | mm ² | 3.5 | | | | | | | | | | | | | | | | | | | | | | | | | | | | | | | | | | | | | | | | | | | | | | | | | | | | | | | | | | | | | | | | | | | | | | | | | | | | | | | | | | | | | | | | | | | | | | | | | | | | | | | | | | | | |
| | | 力率 | % | | | 92 | | | 内外接続線太さ | 50m 以下 | D | mm | φ1.6 | | | | | | | | | | | | | | | | | | | | | | | | | | | | | | | | | | | | | | | | | | | | | | | | | | | | | | | | | | | | | | | | | | | | | | | | | | | | | | | | | | | | | | | | | | | | | | | | | | | | | | | | | | | |
| 定格冷房時の顕熱比 | — | 0.68 | | | | 80m 以下 | — | — | mm | φ2.0 | | | | | | | | | | | | | | | | | | | | | | | | | | | | | | | | | | | | | | | | | | | | | | | | | | | | | | | | | | | | | | | | | | | | | | | | | | | | | | | | | | | | | | | | | | | | | | | | | | | | | | | | | | | | | | |
| 暖 房 | 定 格 | 中間冷房能力 | kW | | | 3.20 | | アース線太さ | E | mm | φ1.6 | | | | | | | | | | | | | | | | | | | | | | | | | | | | | | | | | | | | | | | | | | | | | | | | | | | | | | | | | | | | | | | | | | | | | | | | | | | | | | | | | | | | | | | | | | | | | | | | | | | | | | | | | | | | | |
| | | 中間冷房消費電力 | kW | | | 0.53 | | 室内側 | アース線太さ | J | mm | φ1.6 | | | | | | | | | | | | | | | | | | | | | | | | | | | | | | | | | | | | | | | | | | | | | | | | | | | | | | | | | | | | | | | | | | | | | | | | | | | | | | | | | | | | | | | | | | | | | | | | | | | | | | | | | | | | |
| | | 中間冷房エネルギー消費効率 | — | | | 6.04 | | 電氣配線図 | | | | | | | | | | | | | | | | | | | | | | | | | | | | | | | | | | | | | | | | | | | | | | | | | | | | | | | | | | | | | | | | | | | | | | | | | | | | | | | | | | | | | | | | | | | | | | | | | | | | | | | | | | | | | | | | |
| | | 冷房期間エネルギー消費効率(CSPF) | — | | | 6.7 | | 電源重畳方式 | | | | | | | | | | | | | | | | | | | | | | | | | | | | | | | | | | | | | | | | | | | | | | | | | | | | | | | | | | | | | | | | | | | | | | | | | | | | | | | | | | | | | | | | | | | | | | | | | | | | | | | | | | | | | | | | |
| | | 定格暖房能力 | kW | | | 8.0(3.5~10.8) | | | | | | | | | | | | | | | | | | | | | | | | | | | | | | | | | | | | | | | | | | | | | | | | | | | | | | | | | | | | | | | | | | | | | | | | | | | | | | | | | | | | | | | | | | | | | | | | | | | | | | | | | | | | | | | | | | |
| 暖房エネルギー消費効率(COP) | — | 3.77 | | | | (注) 内外別受電方式、室外ユニットより室内に電源を供給する方式はできません。 | | | | | | | | | | | | | | | | | | | | | | | | | | | | | | | | | | | | | | | | | | | | | | | | | | | | | | | | | | | | | | | | | | | | | | | | | | | | | | | | | | | | | | | | | | | | | | | | | | | | | | | | | | | | | | | | | | |
| 運転電流 | A | 6.6 | | | | <table border="1"> <tr> <td>室 内 形 名</td> <td colspan="3">MPKH-RP80KAL</td> </tr> <tr> <td>外形寸法 <H × W × D></td> <td>mm</td> <td colspan="2">325 × 1100 × 258</td> </tr> <tr> <td>外装色 <マンセル></td> <td>—</td> <td colspan="2">ホワイト<1.0Y9.2/0.2></td> </tr> <tr> <td>補助電気ヒーター</td> <td>kW</td> <td colspan="2">組込不可</td> </tr> <tr> <td>エアフィルター</td> <td>—</td> <td colspan="2">PPハニカム(抗菌仕様)</td> </tr> <tr> <td>送風機(形式 × 出力 × 個数)</td> <td>—</td> <td colspan="2">ラインフローファン × 0.057kW × 1</td> </tr> <tr> <td>風量</td> <td>m³/min</td> <td colspan="2">弱9.4 — 中13.6 — 強17.2</td> </tr> <tr> <td>機外静圧</td> <td>Pa</td> <td colspan="2">0</td> </tr> <tr> <td>風向調節</td> <td>上下方向</td> <td colspan="2">冷房・ドライ: 13°, 28°, 34°, 43°, 54° に、暖房: 16°, 32°, 38°, 62°, 75° に設定可・スイング</td> </tr> <tr> <td></td> <td>左右方向</td> <td colspan="2">左25° (28°), 左18°, 正面0°, 右18°, 右25° (28°), 左右25° に設定可 () は暖房時・スイング</td> </tr> <tr> <td>運転音</td> <td>dB</td> <td colspan="2">弱33 — 中40 — 強48</td> </tr> <tr> <td>製品質量</td> <td>kg</td> <td colspan="2">16</td> </tr> <tr> <td>ドレンパン</td> <td>—</td> <td colspan="2">ABS樹脂</td> </tr> <tr> <td>ドレン配管サイズ</td> <td>—</td> <td colspan="2">VP-16</td> </tr> </table> | | | | | | 室 内 形 名 | MPKH-RP80KAL | | | 外形寸法 <H × W × D> | mm | 325 × 1100 × 258 | | 外装色 <マンセル> | — | ホワイト<1.0Y9.2/0.2> | | 補助電気ヒーター | kW | 組込不可 | | エアフィルター | — | PPハニカム(抗菌仕様) | | 送風機(形式 × 出力 × 個数) | — | ラインフローファン × 0.057kW × 1 | | 風量 | m ³ /min | 弱9.4 — 中13.6 — 強17.2 | | 機外静圧 | Pa | 0 | | 風向調節 | 上下方向 | 冷房・ドライ: 13°, 28°, 34°, 43°, 54° に、暖房: 16°, 32°, 38°, 62°, 75° に設定可・スイング | | | 左右方向 | 左25° (28°), 左18°, 正面0°, 右18°, 右25° (28°), 左右25° に設定可 () は暖房時・スイング | | 運転音 | dB | 弱33 — 中40 — 強48 | | 製品質量 | kg | 16 | | ドレンパン | — | ABS樹脂 | | ドレン配管サイズ | — | VP-16 | | | | | | | | | | | | | | | | | | | | | | | | | | | | | | | | | | | | | | | | | | | | | | | | | | | | | | |
| 室 内 形 名 | MPKH-RP80KAL | | | | | | | | | | | | | | | | | | | | | | | | | | | | | | | | | | | | | | | | | | | | | | | | | | | | | | | | | | | | | | | | | | | | | | | | | | | | | | | | | | | | | | | | | | | | | | | | | | | | | | | | | | | | | | | | | | | | | | | |
| 外形寸法 <H × W × D> | mm | 325 × 1100 × 258 | | | | | | | | | | | | | | | | | | | | | | | | | | | | | | | | | | | | | | | | | | | | | | | | | | | | | | | | | | | | | | | | | | | | | | | | | | | | | | | | | | | | | | | | | | | | | | | | | | | | | | | | | | | | | | | | | | | | | | |
| 外装色 <マンセル> | — | ホワイト<1.0Y9.2/0.2> | | | | | | | | | | | | | | | | | | | | | | | | | | | | | | | | | | | | | | | | | | | | | | | | | | | | | | | | | | | | | | | | | | | | | | | | | | | | | | | | | | | | | | | | | | | | | | | | | | | | | | | | | | | | | | | | | | | | | | |
| 補助電気ヒーター | kW | 組込不可 | | | | | | | | | | | | | | | | | | | | | | | | | | | | | | | | | | | | | | | | | | | | | | | | | | | | | | | | | | | | | | | | | | | | | | | | | | | | | | | | | | | | | | | | | | | | | | | | | | | | | | | | | | | | | | | | | | | | | | |
| エアフィルター | — | PPハニカム(抗菌仕様) | | | | | | | | | | | | | | | | | | | | | | | | | | | | | | | | | | | | | | | | | | | | | | | | | | | | | | | | | | | | | | | | | | | | | | | | | | | | | | | | | | | | | | | | | | | | | | | | | | | | | | | | | | | | | | | | | | | | | | |
| 送風機(形式 × 出力 × 個数) | — | ラインフローファン × 0.057kW × 1 | | | | | | | | | | | | | | | | | | | | | | | | | | | | | | | | | | | | | | | | | | | | | | | | | | | | | | | | | | | | | | | | | | | | | | | | | | | | | | | | | | | | | | | | | | | | | | | | | | | | | | | | | | | | | | | | | | | | | | |
| 風量 | m ³ /min | 弱9.4 — 中13.6 — 強17.2 | | | | | | | | | | | | | | | | | | | | | | | | | | | | | | | | | | | | | | | | | | | | | | | | | | | | | | | | | | | | | | | | | | | | | | | | | | | | | | | | | | | | | | | | | | | | | | | | | | | | | | | | | | | | | | | | | | | | | | |
| 機外静圧 | Pa | 0 | | | | | | | | | | | | | | | | | | | | | | | | | | | | | | | | | | | | | | | | | | | | | | | | | | | | | | | | | | | | | | | | | | | | | | | | | | | | | | | | | | | | | | | | | | | | | | | | | | | | | | | | | | | | | | | | | | | | | | |
| 風向調節 | 上下方向 | 冷房・ドライ: 13°, 28°, 34°, 43°, 54° に、暖房: 16°, 32°, 38°, 62°, 75° に設定可・スイング | | | | | | | | | | | | | | | | | | | | | | | | | | | | | | | | | | | | | | | | | | | | | | | | | | | | | | | | | | | | | | | | | | | | | | | | | | | | | | | | | | | | | | | | | | | | | | | | | | | | | | | | | | | | | | | | | | | | | | |
| | 左右方向 | 左25° (28°), 左18°, 正面0°, 右18°, 右25° (28°), 左右25° に設定可 () は暖房時・スイング | | | | | | | | | | | | | | | | | | | | | | | | | | | | | | | | | | | | | | | | | | | | | | | | | | | | | | | | | | | | | | | | | | | | | | | | | | | | | | | | | | | | | | | | | | | | | | | | | | | | | | | | | | | | | | | | | | | | | | |
| 運転音 | dB | 弱33 — 中40 — 強48 | | | | | | | | | | | | | | | | | | | | | | | | | | | | | | | | | | | | | | | | | | | | | | | | | | | | | | | | | | | | | | | | | | | | | | | | | | | | | | | | | | | | | | | | | | | | | | | | | | | | | | | | | | | | | | | | | | | | | | |
| 製品質量 | kg | 16 | | | | | | | | | | | | | | | | | | | | | | | | | | | | | | | | | | | | | | | | | | | | | | | | | | | | | | | | | | | | | | | | | | | | | | | | | | | | | | | | | | | | | | | | | | | | | | | | | | | | | | | | | | | | | | | | | | | | | | |
| ドレンパン | — | ABS樹脂 | | | | | | | | | | | | | | | | | | | | | | | | | | | | | | | | | | | | | | | | | | | | | | | | | | | | | | | | | | | | | | | | | | | | | | | | | | | | | | | | | | | | | | | | | | | | | | | | | | | | | | | | | | | | | | | | | | | | | | |
| ドレン配管サイズ | — | VP-16 | | | | | | | | | | | | | | | | | | | | | | | | | | | | | | | | | | | | | | | | | | | | | | | | | | | | | | | | | | | | | | | | | | | | | | | | | | | | | | | | | | | | | | | | | | | | | | | | | | | | | | | | | | | | | | | | | | | | | | |
| 冷暖平均エネルギー消費効率(GOP) | — | 3.64 | | <table border="1"> <tr> <td>室 外 形 名</td> <td colspan="3">MPUZ-WRP80HA5(-BS(G))</td> </tr> <tr> <td>外形寸法 <H × W × D></td> <td>mm</td> <td colspan="2">943 × 950 × 330(+30)</td> </tr> <tr> <td>外装色 <マンセル></td> <td>—</td> <td colspan="2">アイボリー<3Y 7.8/1.1></td> </tr> <tr> <td>圧縮機</td> <td>1日の冷凍能力</td> <td>法定トン</td> <td>0.330~1.330</td> </tr> <tr> <td></td> <td>形式 × 出力 × 個数</td> <td>—</td> <td>全密閉 × 1.4kW × 1</td> </tr> <tr> <td></td> <td>保護装置</td> <td>—</td> <td>吐出温度検知、過電流検知回路</td> </tr> <tr> <td>設計圧力(高圧部/低圧部)</td> <td>MPa</td> <td colspan="2">4.15/2.3</td> </tr> <tr> <td>I P コ ー ド</td> <td>—</td> <td colspan="2">IPX4</td> </tr> <tr> <td>送風機(形式 × 出力 × 個数)</td> <td>—</td> <td colspan="2">プロペラファン × 0.06kW × 1</td> </tr> <tr> <td>風量</td> <td>m³/min</td> <td colspan="2">55</td> </tr> <tr> <td>送風機用保護装置</td> <td>—</td> <td colspan="2">過熱/過電流保護</td> </tr> <tr> <td>運転音(冷房/暖房)</td> <td>dB</td> <td colspan="2">45/46</td> </tr> <tr> <td>製品質量</td> <td>kg</td> <td colspan="2">67</td> </tr> <tr> <td rowspan="3">共通事項</td> <td>冷媒</td> <td>kg</td> <td>R410A × 3.5</td> </tr> <tr> <td>冷媒配管長</td> <td>m</td> <td>30(追加チャージ時50)</td> </tr> <tr> <td>高低差</td> <td>m</td> <td>30</td> </tr> <tr> <td rowspan="2">温度設定(リモコン)</td> <td>室内側冷媒配管径(液/ガス)</td> <td>mm</td> <td>φ9.52/φ15.88</td> </tr> <tr> <td>室外側冷媒配管径(液/ガス)</td> <td>mm</td> <td>φ9.52/φ15.88</td> </tr> <tr> <td rowspan="4">使用温度範囲</td> <td rowspan="2">冷房</td> <td>室内</td> <td>乾球温度19~32°C/湿球温度15~23°C</td> </tr> <tr> <td>室外</td> <td>乾球温度-5~43°C/ —</td> </tr> <tr> <td rowspan="2">暖房</td> <td>室内</td> <td>乾球温度17~28°C/ —</td> </tr> <tr> <td>室外</td> <td>乾球温度-20~21°C/湿球温度-20~15°C</td> </tr> <tr> <td>セット別売形名</td> <td colspan="3"></td> </tr> <tr> <td colspan="4">注意事項</td> <td colspan="4"> 三菱電機株式会社 空冷ヒートポンプ式パッケージエアコン仕様書 グリーン購入法適合 壁掛形 <table border="1"> <tr> <td>形名</td> <td colspan="2">MPKZ-WRP80KLK</td> <td colspan="2"><耐塩害仕様>は、室外ユニット形名末尾 -BS</td> </tr> <tr> <td>作成日</td> <td>2006-09-06</td> <td>図番</td> <td>MPKZWRP80KLK-5</td> <td>副番</td> <td>記号</td> </tr> </table> </td> </tr> <tr> <td colspan="4"> <ol style="list-style-type: none"> 冷房・暖房能力および電気特性はJIS B8616:2006およびJRA4048:2006に準拠した値です。延長配管7.5m(相当長)、高低差0m 冷房・暖房能力の()内は、能力変化の値を示します。 運転音は、JIS規格に準じて、反響の少ない無響室で測定した数値(Aスケール)です。実際に据付した状態で測定すると、周囲の騒音や反響などの影響を受け、表示数値より、大きくなるのが普通です。 リモコン上は16~31°Cに設定可能ですが、スリムエアコンの運転使用範囲に従いご使用ください。 </td> <td colspan="4"></td> </tr> </table> | | | | | | 室 外 形 名 | MPUZ-WRP80HA5(-BS(G)) | | | 外形寸法 <H × W × D> | mm | 943 × 950 × 330(+30) | | 外装色 <マンセル> | — | アイボリー<3Y 7.8/1.1> | | 圧縮機 | 1日の冷凍能力 | 法定トン | 0.330~1.330 | | 形式 × 出力 × 個数 | — | 全密閉 × 1.4kW × 1 | | 保護装置 | — | 吐出温度検知、過電流検知回路 | 設計圧力(高圧部/低圧部) | MPa | 4.15/2.3 | | I P コ ー ド | — | IPX4 | | 送風機(形式 × 出力 × 個数) | — | プロペラファン × 0.06kW × 1 | | 風量 | m ³ /min | 55 | | 送風機用保護装置 | — | 過熱/過電流保護 | | 運転音(冷房/暖房) | dB | 45/46 | | 製品質量 | kg | 67 | | 共通事項 | 冷媒 | kg | R410A × 3.5 | 冷媒配管長 | m | 30(追加チャージ時50) | 高低差 | m | 30 | 温度設定(リモコン) | 室内側冷媒配管径(液/ガス) | mm | φ9.52/φ15.88 | 室外側冷媒配管径(液/ガス) | mm | φ9.52/φ15.88 | 使用温度範囲 | 冷房 | 室内 | 乾球温度19~32°C/湿球温度15~23°C | 室外 | 乾球温度-5~43°C/ — | 暖房 | 室内 | 乾球温度17~28°C/ — | 室外 | 乾球温度-20~21°C/湿球温度-20~15°C | セット別売形名 | | | | 注意事項 | | | | 三菱電機株式会社 空冷ヒートポンプ式パッケージエアコン仕様書 グリーン購入法適合 壁掛形 <table border="1"> <tr> <td>形名</td> <td colspan="2">MPKZ-WRP80KLK</td> <td colspan="2"><耐塩害仕様>は、室外ユニット形名末尾 -BS</td> </tr> <tr> <td>作成日</td> <td>2006-09-06</td> <td>図番</td> <td>MPKZWRP80KLK-5</td> <td>副番</td> <td>記号</td> </tr> </table> | | | | 形名 | MPKZ-WRP80KLK | | <耐塩害仕様>は、室外ユニット形名末尾 -BS | | 作成日 | 2006-09-06 | 図番 | MPKZWRP80KLK-5 | 副番 | 記号 | <ol style="list-style-type: none"> 冷房・暖房能力および電気特性はJIS B8616:2006およびJRA4048:2006に準拠した値です。延長配管7.5m(相当長)、高低差0m 冷房・暖房能力の()内は、能力変化の値を示します。 運転音は、JIS規格に準じて、反響の少ない無響室で測定した数値(Aスケール)です。実際に据付した状態で測定すると、周囲の騒音や反響などの影響を受け、表示数値より、大きくなるのが普通です。 リモコン上は16~31°Cに設定可能ですが、スリムエアコンの運転使用範囲に従いご使用ください。 | | | | | | | |
| 室 外 形 名 | MPUZ-WRP80HA5(-BS(G)) | | | | | | | | | | | | | | | | | | | | | | | | | | | | | | | | | | | | | | | | | | | | | | | | | | | | | | | | | | | | | | | | | | | | | | | | | | | | | | | | | | | | | | | | | | | | | | | | | | | | | | | | | | | | | | | | | | | | | | | |
| 外形寸法 <H × W × D> | mm | 943 × 950 × 330(+30) | | | | | | | | | | | | | | | | | | | | | | | | | | | | | | | | | | | | | | | | | | | | | | | | | | | | | | | | | | | | | | | | | | | | | | | | | | | | | | | | | | | | | | | | | | | | | | | | | | | | | | | | | | | | | | | | | | | | | | |
| 外装色 <マンセル> | — | アイボリー<3Y 7.8/1.1> | | | | | | | | | | | | | | | | | | | | | | | | | | | | | | | | | | | | | | | | | | | | | | | | | | | | | | | | | | | | | | | | | | | | | | | | | | | | | | | | | | | | | | | | | | | | | | | | | | | | | | | | | | | | | | | | | | | | | | |
| 圧縮機 | 1日の冷凍能力 | 法定トン | 0.330~1.330 | | | | | | | | | | | | | | | | | | | | | | | | | | | | | | | | | | | | | | | | | | | | | | | | | | | | | | | | | | | | | | | | | | | | | | | | | | | | | | | | | | | | | | | | | | | | | | | | | | | | | | | | | | | | | | | | | | | | | |
| | 形式 × 出力 × 個数 | — | 全密閉 × 1.4kW × 1 | | | | | | | | | | | | | | | | | | | | | | | | | | | | | | | | | | | | | | | | | | | | | | | | | | | | | | | | | | | | | | | | | | | | | | | | | | | | | | | | | | | | | | | | | | | | | | | | | | | | | | | | | | | | | | | | | | | | | |
| | 保護装置 | — | 吐出温度検知、過電流検知回路 | | | | | | | | | | | | | | | | | | | | | | | | | | | | | | | | | | | | | | | | | | | | | | | | | | | | | | | | | | | | | | | | | | | | | | | | | | | | | | | | | | | | | | | | | | | | | | | | | | | | | | | | | | | | | | | | | | | | | |
| 設計圧力(高圧部/低圧部) | MPa | 4.15/2.3 | | | | | | | | | | | | | | | | | | | | | | | | | | | | | | | | | | | | | | | | | | | | | | | | | | | | | | | | | | | | | | | | | | | | | | | | | | | | | | | | | | | | | | | | | | | | | | | | | | | | | | | | | | | | | | | | | | | | | | |
| I P コ ー ド | — | IPX4 | | | | | | | | | | | | | | | | | | | | | | | | | | | | | | | | | | | | | | | | | | | | | | | | | | | | | | | | | | | | | | | | | | | | | | | | | | | | | | | | | | | | | | | | | | | | | | | | | | | | | | | | | | | | | | | | | | | | | | |
| 送風機(形式 × 出力 × 個数) | — | プロペラファン × 0.06kW × 1 | | | | | | | | | | | | | | | | | | | | | | | | | | | | | | | | | | | | | | | | | | | | | | | | | | | | | | | | | | | | | | | | | | | | | | | | | | | | | | | | | | | | | | | | | | | | | | | | | | | | | | | | | | | | | | | | | | | | | | |
| 風量 | m ³ /min | 55 | | | | | | | | | | | | | | | | | | | | | | | | | | | | | | | | | | | | | | | | | | | | | | | | | | | | | | | | | | | | | | | | | | | | | | | | | | | | | | | | | | | | | | | | | | | | | | | | | | | | | | | | | | | | | | | | | | | | | | |
| 送風機用保護装置 | — | 過熱/過電流保護 | | | | | | | | | | | | | | | | | | | | | | | | | | | | | | | | | | | | | | | | | | | | | | | | | | | | | | | | | | | | | | | | | | | | | | | | | | | | | | | | | | | | | | | | | | | | | | | | | | | | | | | | | | | | | | | | | | | | | | |
| 運転音(冷房/暖房) | dB | 45/46 | | | | | | | | | | | | | | | | | | | | | | | | | | | | | | | | | | | | | | | | | | | | | | | | | | | | | | | | | | | | | | | | | | | | | | | | | | | | | | | | | | | | | | | | | | | | | | | | | | | | | | | | | | | | | | | | | | | | | | |
| 製品質量 | kg | 67 | | | | | | | | | | | | | | | | | | | | | | | | | | | | | | | | | | | | | | | | | | | | | | | | | | | | | | | | | | | | | | | | | | | | | | | | | | | | | | | | | | | | | | | | | | | | | | | | | | | | | | | | | | | | | | | | | | | | | | |
| 共通事項 | 冷媒 | kg | R410A × 3.5 | | | | | | | | | | | | | | | | | | | | | | | | | | | | | | | | | | | | | | | | | | | | | | | | | | | | | | | | | | | | | | | | | | | | | | | | | | | | | | | | | | | | | | | | | | | | | | | | | | | | | | | | | | | | | | | | | | | | | |
| | 冷媒配管長 | m | 30(追加チャージ時50) | | | | | | | | | | | | | | | | | | | | | | | | | | | | | | | | | | | | | | | | | | | | | | | | | | | | | | | | | | | | | | | | | | | | | | | | | | | | | | | | | | | | | | | | | | | | | | | | | | | | | | | | | | | | | | | | | | | | | |
| | 高低差 | m | 30 | | | | | | | | | | | | | | | | | | | | | | | | | | | | | | | | | | | | | | | | | | | | | | | | | | | | | | | | | | | | | | | | | | | | | | | | | | | | | | | | | | | | | | | | | | | | | | | | | | | | | | | | | | | | | | | | | | | | | |
| 温度設定(リモコン) | 室内側冷媒配管径(液/ガス) | mm | φ9.52/φ15.88 | | | | | | | | | | | | | | | | | | | | | | | | | | | | | | | | | | | | | | | | | | | | | | | | | | | | | | | | | | | | | | | | | | | | | | | | | | | | | | | | | | | | | | | | | | | | | | | | | | | | | | | | | | | | | | | | | | | | | |
| | 室外側冷媒配管径(液/ガス) | mm | φ9.52/φ15.88 | | | | | | | | | | | | | | | | | | | | | | | | | | | | | | | | | | | | | | | | | | | | | | | | | | | | | | | | | | | | | | | | | | | | | | | | | | | | | | | | | | | | | | | | | | | | | | | | | | | | | | | | | | | | | | | | | | | | | |
| 使用温度範囲 | 冷房 | 室内 | 乾球温度19~32°C/湿球温度15~23°C | | | | | | | | | | | | | | | | | | | | | | | | | | | | | | | | | | | | | | | | | | | | | | | | | | | | | | | | | | | | | | | | | | | | | | | | | | | | | | | | | | | | | | | | | | | | | | | | | | | | | | | | | | | | | | | | | | | | | |
| | | 室外 | 乾球温度-5~43°C/ — | | | | | | | | | | | | | | | | | | | | | | | | | | | | | | | | | | | | | | | | | | | | | | | | | | | | | | | | | | | | | | | | | | | | | | | | | | | | | | | | | | | | | | | | | | | | | | | | | | | | | | | | | | | | | | | | | | | | | |
| | 暖房 | 室内 | 乾球温度17~28°C/ — | | | | | | | | | | | | | | | | | | | | | | | | | | | | | | | | | | | | | | | | | | | | | | | | | | | | | | | | | | | | | | | | | | | | | | | | | | | | | | | | | | | | | | | | | | | | | | | | | | | | | | | | | | | | | | | | | | | | | |
| | | 室外 | 乾球温度-20~21°C/湿球温度-20~15°C | | | | | | | | | | | | | | | | | | | | | | | | | | | | | | | | | | | | | | | | | | | | | | | | | | | | | | | | | | | | | | | | | | | | | | | | | | | | | | | | | | | | | | | | | | | | | | | | | | | | | | | | | | | | | | | | | | | | | |
| セット別売形名 | | | | | | | | | | | | | | | | | | | | | | | | | | | | | | | | | | | | | | | | | | | | | | | | | | | | | | | | | | | | | | | | | | | | | | | | | | | | | | | | | | | | | | | | | | | | | | | | | | | | | | | | | | | | | | | | | | | | | | | | |
| 注意事項 | | | | 三菱電機株式会社 空冷ヒートポンプ式パッケージエアコン仕様書 グリーン購入法適合 壁掛形 <table border="1"> <tr> <td>形名</td> <td colspan="2">MPKZ-WRP80KLK</td> <td colspan="2"><耐塩害仕様>は、室外ユニット形名末尾 -BS</td> </tr> <tr> <td>作成日</td> <td>2006-09-06</td> <td>図番</td> <td>MPKZWRP80KLK-5</td> <td>副番</td> <td>記号</td> </tr> </table> | | | | 形名 | MPKZ-WRP80KLK | | <耐塩害仕様>は、室外ユニット形名末尾 -BS | | 作成日 | 2006-09-06 | 図番 | MPKZWRP80KLK-5 | 副番 | 記号 | | | | | | | | | | | | | | | | | | | | | | | | | | | | | | | | | | | | | | | | | | | | | | | | | | | | | | | | | | | | | | | | | | | | | | | | | | | | | | | | | | | | | | | | | | | | | | | | | | | | | | |
| 形名 | MPKZ-WRP80KLK | | <耐塩害仕様>は、室外ユニット形名末尾 -BS | | | | | | | | | | | | | | | | | | | | | | | | | | | | | | | | | | | | | | | | | | | | | | | | | | | | | | | | | | | | | | | | | | | | | | | | | | | | | | | | | | | | | | | | | | | | | | | | | | | | | | | | | | | | | | | | | | | | | |
| 作成日 | 2006-09-06 | 図番 | MPKZWRP80KLK-5 | 副番 | 記号 | | | | | | | | | | | | | | | | | | | | | | | | | | | | | | | | | | | | | | | | | | | | | | | | | | | | | | | | | | | | | | | | | | | | | | | | | | | | | | | | | | | | | | | | | | | | | | | | | | | | | | | | | | | | | | | | | | | |
| <ol style="list-style-type: none"> 冷房・暖房能力および電気特性はJIS B8616:2006およびJRA4048:2006に準拠した値です。延長配管7.5m(相当長)、高低差0m 冷房・暖房能力の()内は、能力変化の値を示します。 運転音は、JIS規格に準じて、反響の少ない無響室で測定した数値(Aスケール)です。実際に据付した状態で測定すると、周囲の騒音や反響などの影響を受け、表示数値より、大きくなるのが普通です。 リモコン上は16~31°Cに設定可能ですが、スリムエアコンの運転使用範囲に従いご使用ください。 | | | | | | | | | | | | | | | | | | | | | | | | | | | | | | | | | | | | | | | | | | | | | | | | | | | | | | | | | | | | | | | | | | | | | | | | | | | | | | | | | | | | | | | | | | | | | | | | | | | | | | | | | | | | | | | | | | | | | | | | |

据付所要スペース(室内ユニット)

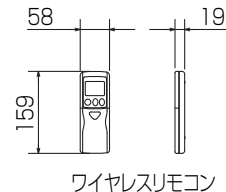
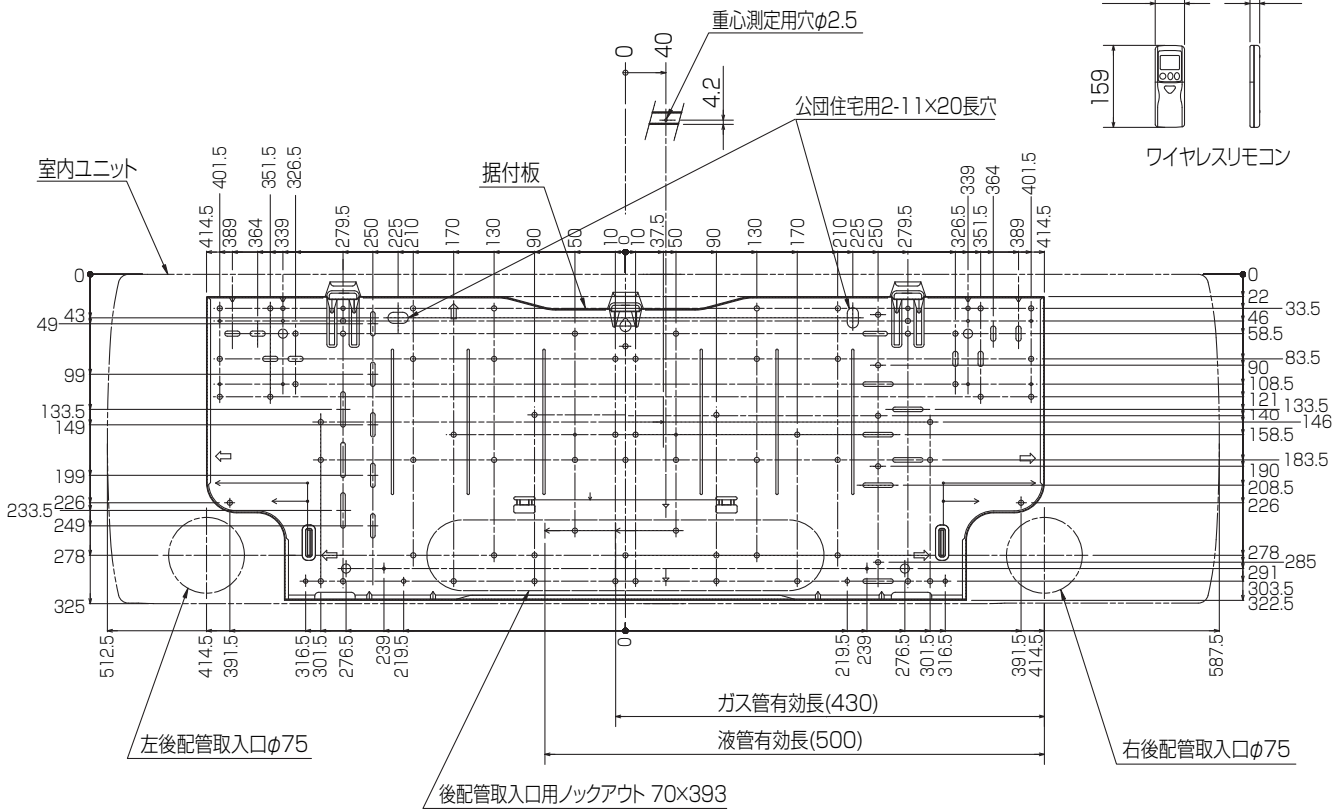


72以上
左後配管時
(スベークーサー使用時の場合
100mm以上)

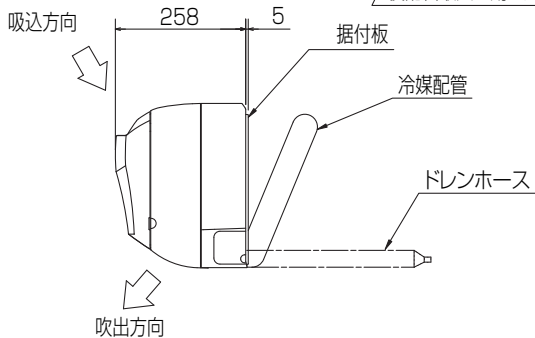
右側面図

7以上

60以下



ワイヤレスリモコン



※1 貫通スリーブは現地にて手配してください。

| | |
|-----------|---------|
| 貫通スリーブ ※1 | 壁貫通穴 |
| φ75 | φ75~φ80 |

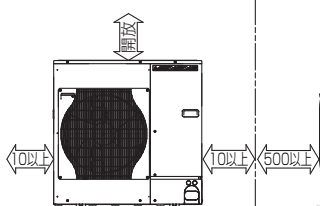
| | | |
|------|--------|----------------------------|
| 冷媒配管 | 液管 | 3/8F(φ9.52) 有効長 500mm |
| | ガス管 | 5/8F(φ15.88) 有効長 430mm |
| | パイプカバー | 外径φ50、内径φ32 |
| | ドレンホース | 断熱材外径φ28、接続部外径φ16、有効長560mm |

BH01C941

| | | | | | | |
|----------|------|----------|-----------------------------|--------------|---|----|
| 単位 | スケール | 作成日 | 形名 | MPKH-RP80KAL | | |
| mm | NTS | 2011-8-8 | パッケージエアコン室内ユニット外形図 (壁掛形) | | | |
| 三菱電機株式会社 | | 図番 | GA-MPKHRP80KAL | 副番 | C | 記号 |

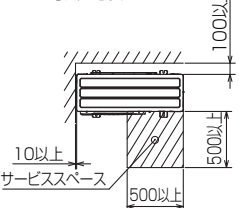
1 設置スペース(周囲必要空間)

下図は基本例を示します。
詳細につきましては工事マニュアル等の
技術資料を参照願います。



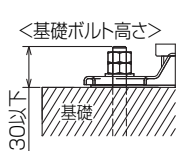
2 サービススペース

サービススペースは下図の
寸法が必要になります。



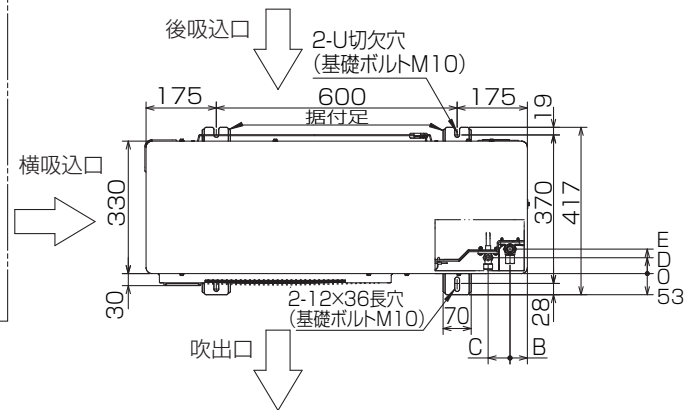
3 基礎ボルト

M10の基礎ボルトでユニットの据付足を
4ヶ所強固に固定してください。
(基礎ボルト、座金、ナットは現地手配です。)



4 配管・配線取入れ方向

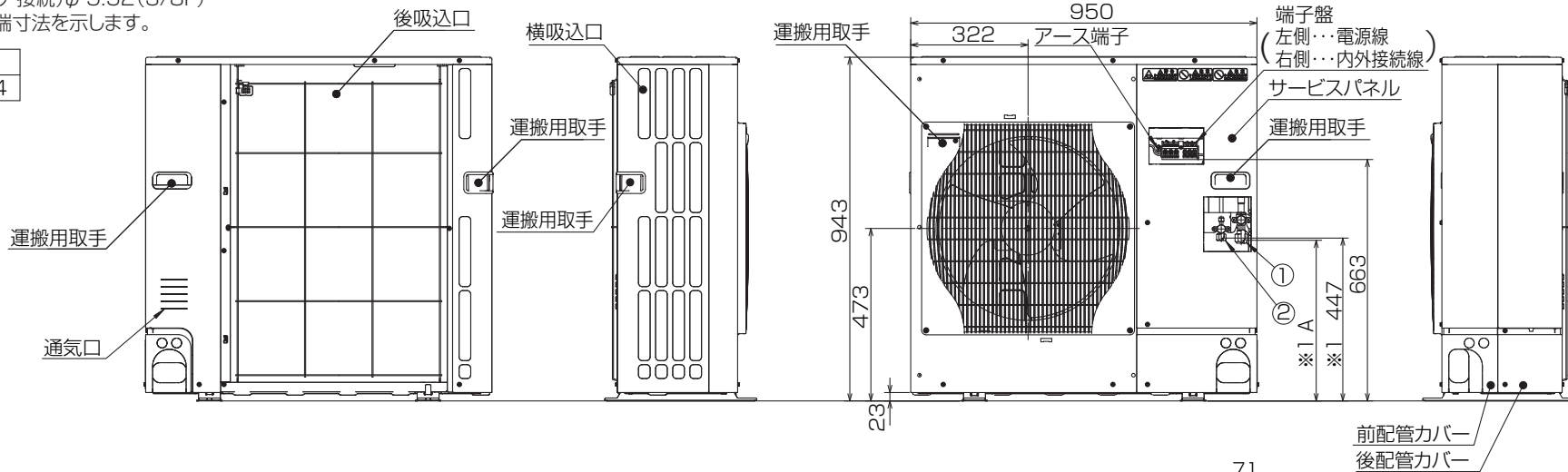
配管、配線接続は、
前面、右側面、後面、下面の
4方向から取入れできます。



記号説明

- ①・・・冷媒ガス配管接続口(フレア接続)φ15.88(5/8F)
- ②・・・冷媒液配管接続口 (フレア接続)φ9.52(3/8F)
- ※1・・・ストップバルブの接続先端寸法を示します。

| | | | | |
|-----|----|----|----|----|
| A | B | C | D | E |
| 431 | 41 | 56 | 40 | 54 |



配管ロックアウト穴詳細



BK01B573-2

| | | | | |
|----------|------|-----------|--------------------|-----------------------|
| 単位 | スケール | 作成日 | 形名 | MPUZ-WRP80HA5(-BS(G)) |
| mm | NTS | 2007-5-31 | パッケージエアコン室外ユニット外形図 | |
| 三菱電機株式会社 | | 図番 | GA-MPUZ-WRP80HA5 | 副番 |
| | | | | 記号 |

室外ユニット耐(重)塩害仕様 仕様書

| 図示番号 | 区分名 | 部品名 | 素材仕様 | 標準仕様 | 耐塩害 | 耐重塩害 | 表面処理仕様 |
|------|---------------------|----------------|------------------------------------|------|-----|----------------|------------------------------|
| ① | 外装パネル | 本体ベース | アルミ亜鉛マグネシウムメッキ鋼板 | ○ | | | — |
| | | | | | ○ | | アクリル樹脂塗装/内外面1回塗装 |
| ② | パネル (上面・前面・後面など) | 合金化亜鉛メッキ鋼板 | ○ | | | ○ | アクリル樹脂塗装/内面2回,外面1回塗装 |
| | | | | | | ○ | ポリエステル系樹脂塗装(塗装鋼板) |
| | | | | | | ○ | アクリル+ポリエステル樹脂塗装/内外面1回塗装 |
| ③ | グリル | ポリプロピレン樹脂成形品 | ○ | ○ | ○ | — | |
| ④ | リヤガード | SWM鉄線 | ○ | ○ | ○ | ポリエチレン樹脂コーティング | |
| ⑤ | 送風機 | プロペラファン | ポリプロピレン樹脂成形品 | ○ | ○ | ○ | — |
| ⑥ | モータ | フレーム部 | モールド仕様(不飽和ポリエステル樹脂) 又は溶融亜鉛メッキ鋼板 | ○ | ○ | ○ | 機種によってモータのフレーム材質が異なります。 |
| | | シャフト部 | SC45C | ○ | ○ | ○ | 防錆油塗布 |
| ⑦ | モータサポート | 溶融亜鉛メッキ鋼板 | ○ | | | — | |
| ⑧ | 熱交換器 | フィン | アルミ板 | ○ | | | — |
| | | | | | ○ | ○ | 防蝕・親水性処理フィン(ビニル系又はアクリル系樹脂塗装) |
| ⑨ | 側板 | 溶融亜鉛メッキ鋼板 | ○ | ○ | ○ | クロムフリー被膜処理 | |
| ⑩ | 配管 | リン脱酸銅管(C1220T) | ○ | ○ | ○ | — | |
| ⑪ | 配管溶接部 | ロー材:リン銅ロー | ○ | ○ | ○ | — | |
| ⑫ | 冷媒配管 | 圧縮機 | 熱間圧延鋼板 | ○ | ○ | ○ | アルキド樹脂塗装 |
| ⑬ | | 配管 | リン脱酸銅管(C1220T) | ○ | ○ | ○ | — |
| ⑭ | | 配管溶接部 | ロー材:リン銅ロー | ○ | ○ | ○ | — |
| ⑮ | 電気品箱 | プリント基板 | ガラスコンポジット CEM-3 | ○ | ○ | ○ | 防湿剤塗布(マイコン足部周辺) |
| ⑯ | 電気品箱 | 溶融亜鉛メッキ鋼板 | ○ | ○ | ○ | クロムフリー被膜処理 | |
| ⑰ | その他 | セパレータ | 溶融亜鉛メッキ鋼板 | ○ | | | クロムフリー被膜処理 |
| | | | | | ○ | ○ | 端面部にエポキシ樹脂塗装 |
| ⑱ | ネジ(外装) | 配管支持板 | 溶融亜鉛メッキ鋼板 | ○ | | | クロムフリー被膜処理 |
| | | | | | ○ | ○ | 端面部にエポキシ樹脂塗装 |
| ⑲ | ネジ(外装) | ネジ | SWCH18A(鉄製) | ○ | | | 亜鉛ニッケル合金メッキ |
| | | | SUS410(ステンレス) | | ○ | ○ | 亜鉛ニッケル合金メッキ |
| ⑳ | ラベル | ラベル | ラベル | | | ○ | JRA耐塩害仕様 |
| | | | | | | ○ | JRA耐重塩害仕様 |

「耐塩害仕様・耐重塩害仕様室外ユニット」は、日本冷凍空調工業会規格JRA9002に基づいています。

ご注意 1.海水飛沫及び潮風に直接さらされることを極力回避するような場所へ設置してください。(設置場所の条件により、ユニットの寿命が異なります。)
 2.外装パネルに付着した海塩粒子が雨水によって十分洗浄されるように配慮してください。
 (日除けなどを取り付けると雨水による洗浄ができなくなります。)
 3.室外機底板内への水の滞留は、著しい腐食作用を促進させる為、底板内の水抜け性を損なわないように、傾きなどを注意してください。
 4.海岸地帯へ設置された場合は、付着した塩分等を除去する為に定期的に水洗いを行ってください。
 5.据付時、メンテナンス時等に付いた傷は、補修してください。
 6.機器の状態を定期的に点検してください。
 7.基礎部分の排水性を確保してください。

※この図は一例です。

MPU(Z)-P80(S)・112・140・160HA5, MPU(Z)-P140・160HA6, MPUZ-WRP80(S)・112HA5,
 MPUZ-WRP80(S)・112・140HA6はファンが1つです。

外観部分



機能部分

