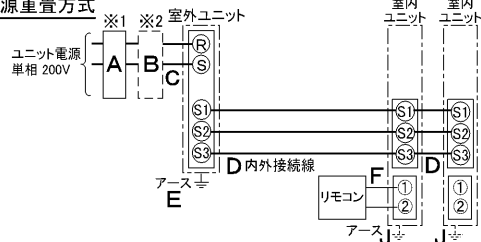


| 仕 様 表   |                |                      |                         | セット形名                   | MPLX-P80SBED   |                       |                       |                  |    |        |    |    |       |      |   |        |       |   |    |        |        |   |    |      |   |    |           |   |                 |     |         |       |   |    |                       |        |   |    |      |        |   |                 |          |
|---|----------------|----------------------|-------------------------|-------------------------|--|-----------------------|-----------------------|------------------|----|--------|----|----|-------|------|---|--------|-------|---|----|--------|--------|---|----|------|---|----|-----------|---|-----------------|-----|---------|-------|---|----|-----------------------|--------|---|----|------|--------|---|-----------------|----------|
| 電 源   |                | 電 源 ・ 単相 200V        |                         | 機外配線要領                  |  |                       |                       |                  |    |        |    |    |       |      |   |        |       |   |    |        |        |   |    |      |   |    |           |   |                 |     |         |       |   |    |                       |        |   |    |      |        |   |                 |          |
| 電 源 周 波 数   | Hz             | 50Hz                 |                         | 機外配線                    | <table border="1"> <tr> <td rowspan="2">漏電遮断器</td> <td>定格電流</td> <td>A</td> <td>30</td> </tr> <tr> <td>定格感度電流</td> <td>mA</td> <td>30</td> </tr> <tr> <td rowspan="2">手元開閉器</td> <td>動作時間</td> <td>—</td> <td>0.1S以内</td> </tr> <tr> <td>開閉器容量</td> <td>A</td> <td>30</td> </tr> <tr> <td rowspan="2">配線用遮断器</td> <td>B種ヒューズ</td> <td>A</td> <td>30</td> </tr> <tr> <td>定格電流</td> <td>A</td> <td>30</td> </tr> <tr> <td>ユニット電源線太さ</td> <td>C</td> <td>mm<sup>2</sup></td> <td>5.5</td> </tr> <tr> <td rowspan="2">内外接続線太さ</td> <td>50m以下</td> <td>D</td> <td>mm</td> <td>φ1.6</td> </tr> <tr> <td>80m以下</td> <td>D</td> <td>mm</td> <td>φ2.0</td> </tr> <tr> <td>アース線太さ</td> <td>E</td> <td>mm</td> <td>φ1.6</td> </tr> </table>                       | 漏電遮断器                 | 定格電流                  | A                | 30 | 定格感度電流 | mA | 30 | 手元開閉器 | 動作時間 | — | 0.1S以内 | 開閉器容量 | A | 30 | 配線用遮断器 | B種ヒューズ | A | 30 | 定格電流 | A | 30 | ユニット電源線太さ | C | mm <sup>2</sup> | 5.5 | 内外接続線太さ | 50m以下 | D | mm | φ1.6                  | 80m以下  | D | mm | φ2.0 | アース線太さ | E | mm              | φ1.6     |
| 漏電遮断器   | 定格電流           | A                    | 30                      |                         |  |                       |                       |                  |    |        |    |    |       |      |   |        |       |   |    |        |        |   |    |      |   |    |           |   |                 |     |         |       |   |    |                       |        |   |    |      |        |   |                 |          |
|   | 定格感度電流         | mA                   | 30                      |                         |  |                       |                       |                  |    |        |    |    |       |      |   |        |       |   |    |        |        |   |    |      |   |    |           |   |                 |     |         |       |   |    |                       |        |   |    |      |        |   |                 |          |
| 手元開閉器   | 動作時間           | —                    | 0.1S以内                  |                         |  |                       |                       |                  |    |        |    |    |       |      |   |        |       |   |    |        |        |   |    |      |   |    |           |   |                 |     |         |       |   |    |                       |        |   |    |      |        |   |                 |          |
|   | 開閉器容量          | A                    | 30                      |                         |  |                       |                       |                  |    |        |    |    |       |      |   |        |       |   |    |        |        |   |    |      |   |    |           |   |                 |     |         |       |   |    |                       |        |   |    |      |        |   |                 |          |
| 配線用遮断器  | B種ヒューズ         | A                    | 30                      |                         |  |                       |                       |                  |    |        |    |    |       |      |   |        |       |   |    |        |        |   |    |      |   |    |           |   |                 |     |         |       |   |    |                       |        |   |    |      |        |   |                 |          |
|   | 定格電流           | A                    | 30                      |                         |  |                       |                       |                  |    |        |    |    |       |      |   |        |       |   |    |        |        |   |    |      |   |    |           |   |                 |     |         |       |   |    |                       |        |   |    |      |        |   |                 |          |
| ユニット電源線太さ   | C              | mm <sup>2</sup>      | 5.5                     |                         |  |                       |                       |                  |    |        |    |    |       |      |   |        |       |   |    |        |        |   |    |      |   |    |           |   |                 |     |         |       |   |    |                       |        |   |    |      |        |   |                 |          |
| 内外接続線太さ   | 50m以下          | D                    | mm                      |                         |  | φ1.6                  |                       |                  |    |        |    |    |       |      |   |        |       |   |    |        |        |   |    |      |   |    |           |   |                 |     |         |       |   |    |                       |        |   |    |      |        |   |                 |          |
|   | 80m以下          | D                    | mm                      |                         |  | φ2.0                  |                       |                  |    |        |    |    |       |      |   |        |       |   |    |        |        |   |    |      |   |    |           |   |                 |     |         |       |   |    |                       |        |   |    |      |        |   |                 |          |
| アース線太さ  | E              | mm                   | φ1.6                    |                         |  |                       |                       |                  |    |        |    |    |       |      |   |        |       |   |    |        |        |   |    |      |   |    |           |   |                 |     |         |       |   |    |                       |        |   |    |      |        |   |                 |          |
| 冷房標準性能  | 冷房能力           | kW                   | 7.1(3.0~8.0)            | 室内ユニット電源<br>(*内外別受電接続時) | <table border="1"> <tr> <td rowspan="2">漏電遮断器</td> <td>定格電流</td> <td>A</td> <td>15</td> </tr> <tr> <td>定格感度電流</td> <td>mA</td> <td>30</td> </tr> <tr> <td rowspan="2">手元開閉器</td> <td>動作時間</td> <td>—</td> <td>0.1S以内</td> </tr> <tr> <td>開閉器容量</td> <td>A</td> <td>15</td> </tr> <tr> <td rowspan="2">配線用遮断器</td> <td>B種ヒューズ</td> <td>A</td> <td>15</td> </tr> <tr> <td>定格電流</td> <td>A</td> <td>15</td> </tr> <tr> <td>電源線太さ</td> <td>I</td> <td>mm<sup>2</sup></td> <td>2.0</td> </tr> <tr> <td rowspan="2">内外接続線太さ</td> <td>—</td> <td>K</td> <td>—</td> <td>0.3mm<sup>2</sup>以上</td> </tr> <tr> <td>アース線太さ</td> <td>J</td> <td>mm</td> <td>φ1.6</td> </tr> <tr> <td>リモコン線</td> <td>F</td> <td>mm<sup>2</sup></td> <td>0.3~1.25</td> </tr> </table> | 漏電遮断器                 | 定格電流                  | A                | 15 | 定格感度電流 | mA | 30 | 手元開閉器 | 動作時間 | — | 0.1S以内 | 開閉器容量 | A | 15 | 配線用遮断器 | B種ヒューズ | A | 15 | 定格電流 | A | 15 | 電源線太さ     | I | mm <sup>2</sup> | 2.0 | 内外接続線太さ | —     | K | —  | 0.3mm <sup>2</sup> 以上 | アース線太さ | J | mm | φ1.6 | リモコン線  | F | mm <sup>2</sup> | 0.3~1.25 |
| 漏電遮断器   | 定格電流           | A                    | 15                      |                         |  |                       |                       |                  |    |        |    |    |       |      |   |        |       |   |    |        |        |   |    |      |   |    |           |   |                 |     |         |       |   |    |                       |        |   |    |      |        |   |                 |          |
|   | 定格感度電流         | mA                   | 30                      |                         |  |                       |                       |                  |    |        |    |    |       |      |   |        |       |   |    |        |        |   |    |      |   |    |           |   |                 |     |         |       |   |    |                       |        |   |    |      |        |   |                 |          |
| 手元開閉器   | 動作時間           | —                    | 0.1S以内                  |                         |  |                       |                       |                  |    |        |    |    |       |      |   |        |       |   |    |        |        |   |    |      |   |    |           |   |                 |     |         |       |   |    |                       |        |   |    |      |        |   |                 |          |
|   | 開閉器容量          | A                    | 15                      |                         |  |                       |                       |                  |    |        |    |    |       |      |   |        |       |   |    |        |        |   |    |      |   |    |           |   |                 |     |         |       |   |    |                       |        |   |    |      |        |   |                 |          |
| 配線用遮断器  | B種ヒューズ         | A                    | 15                      |                         |  |                       |                       |                  |    |        |    |    |       |      |   |        |       |   |    |        |        |   |    |      |   |    |           |   |                 |     |         |       |   |    |                       |        |   |    |      |        |   |                 |          |
|   | 定格電流           | A                    | 15                      |                         |  |                       |                       |                  |    |        |    |    |       |      |   |        |       |   |    |        |        |   |    |      |   |    |           |   |                 |     |         |       |   |    |                       |        |   |    |      |        |   |                 |          |
| 電源線太さ   | I              | mm <sup>2</sup>      | 2.0                     |                         |  |                       |                       |                  |    |        |    |    |       |      |   |        |       |   |    |        |        |   |    |      |   |    |           |   |                 |     |         |       |   |    |                       |        |   |    |      |        |   |                 |          |
| 内外接続線太さ   | —              | K                    | —                       |                         |  | 0.3mm <sup>2</sup> 以上 |                       |                  |    |        |    |    |       |      |   |        |       |   |    |        |        |   |    |      |   |    |           |   |                 |     |         |       |   |    |                       |        |   |    |      |        |   |                 |          |
|   | アース線太さ         | J                    | mm                      |                         |  | φ1.6                  |                       |                  |    |        |    |    |       |      |   |        |       |   |    |        |        |   |    |      |   |    |           |   |                 |     |         |       |   |    |                       |        |   |    |      |        |   |                 |          |
| リモコン線   | F              | mm <sup>2</sup>      | 0.3~1.25                |                         |  |                       |                       |                  |    |        |    |    |       |      |   |        |       |   |    |        |        |   |    |      |   |    |           |   |                 |     |         |       |   |    |                       |        |   |    |      |        |   |                 |          |
| 暖房標準性能  | 暖房能力           | kW                   | —                       | 電 源 単相・200V             |  |                       |                       |                  |    |        |    |    |       |      |   |        |       |   |    |        |        |   |    |      |   |    |           |   |                 |     |         |       |   |    |                       |        |   |    |      |        |   |                 |          |
| 暖房標準性能  | C O P          | —                    | —                       | G                       | 定格電流   | A                     | 15                    |                  |    |        |    |    |       |      |   |        |       |   |    |        |        |   |    |      |   |    |           |   |                 |     |         |       |   |    |                       |        |   |    |      |        |   |                 |          |
| 暖房標準性能  | 定格消費電力         | kW                   | —                       |                         | 定格感度電流   | mA                    | 30                    |                  |    |        |    |    |       |      |   |        |       |   |    |        |        |   |    |      |   |    |           |   |                 |     |         |       |   |    |                       |        |   |    |      |        |   |                 |          |
| 暖房標準性能  | 運転電流           | A                    | —                       | 動作時間                    | —  | 0.1S以内                |                       |                  |    |        |    |    |       |      |   |        |       |   |    |        |        |   |    |      |   |    |           |   |                 |     |         |       |   |    |                       |        |   |    |      |        |   |                 |          |
| 暖房標準性能  | 力率             | %                    | —                       | H                       | 開閉器容量  | A                     | 15                    |                  |    |        |    |    |       |      |   |        |       |   |    |        |        |   |    |      |   |    |           |   |                 |     |         |       |   |    |                       |        |   |    |      |        |   |                 |          |
| 暖房標準性能  | 力率             | %                    | —                       |                         | B種ヒューズ   | A                     | 15                    |                  |    |        |    |    |       |      |   |        |       |   |    |        |        |   |    |      |   |    |           |   |                 |     |         |       |   |    |                       |        |   |    |      |        |   |                 |          |
| 暖房標準性能  | 暖房低温能力         | kW                   | —                       | I                       | 配線用遮断器   | 定格電流                  | A                     | 15               |    |        |    |    |       |      |   |        |       |   |    |        |        |   |    |      |   |    |           |   |                 |     |         |       |   |    |                       |        |   |    |      |        |   |                 |          |
| 暖房標準性能  | 暖房低温消費電力       | kW                   | —                       |                         | 電源線太さ  | mm <sup>2</sup>       | 2.0                   |                  |    |        |    |    |       |      |   |        |       |   |    |        |        |   |    |      |   |    |           |   |                 |     |         |       |   |    |                       |        |   |    |      |        |   |                 |          |
| 暖房標準性能  | C O P (平均)     | —                    | —                       | K                       | 内外接続線太さ  | —                     | 0.3mm <sup>2</sup> 以上 |                  |    |        |    |    |       |      |   |        |       |   |    |        |        |   |    |      |   |    |           |   |                 |     |         |       |   |    |                       |        |   |    |      |        |   |                 |          |
| 暖房標準性能  | 最大運転電流         | A                    | 21                      |                         | アース線太さ   | J                     | mm                    | φ1.6             |    |        |    |    |       |      |   |        |       |   |    |        |        |   |    |      |   |    |           |   |                 |     |         |       |   |    |                       |        |   |    |      |        |   |                 |          |
| 室内ユニット<br>(1台分データ)  | 室内形名           | MPL-RP40BA×2台        |                         | 室内ユニット電源<br>(*内外別受電接続時) | F  | mm <sup>2</sup>       | 0.3~1.25              |                  |    |        |    |    |       |      |   |        |       |   |    |        |        |   |    |      |   |    |           |   |                 |     |         |       |   |    |                       |        |   |    |      |        |   |                 |          |
|   | 外形寸法<H×W×D>    | mm                   | 258×840×840             |                         |  |                       |                       |                  |    |        |    |    |       |      |   |        |       |   |    |        |        |   |    |      |   |    |           |   |                 |     |         |       |   |    |                       |        |   |    |      |        |   |                 |          |
|   | 外装色<マンセル>      | —                    | ピュアホワイト<6.4Y 8.9/0.4>   |                         |  |                       |                       |                  |    |        |    |    |       |      |   |        |       |   |    |        |        |   |    |      |   |    |           |   |                 |     |         |       |   |    |                       |        |   |    |      |        |   |                 |          |
|   | 補助電気ヒーター       | kW                   | —                       |                         |  |                       |                       |                  |    |        |    |    |       |      |   |        |       |   |    |        |        |   |    |      |   |    |           |   |                 |     |         |       |   |    |                       |        |   |    |      |        |   |                 |          |
|   | エアフィルター        | —                    | PPハニカム(抗菌仕様)            |                         |  |                       |                       |                  |    |        |    |    |       |      |   |        |       |   |    |        |        |   |    |      |   |    |           |   |                 |     |         |       |   |    |                       |        |   |    |      |        |   |                 |          |
|   | 送風機(形式×出力×個数)  | —                    | ターボファン×0.05kW×1         |                         |  |                       |                       |                  |    |        |    |    |       |      |   |        |       |   |    |        |        |   |    |      |   |    |           |   |                 |     |         |       |   |    |                       |        |   |    |      |        |   |                 |          |
|   | 風量             | m <sup>3</sup> /min  | 静粛11-弱12-中13-強15        |                         |  |                       |                       |                  |    |        |    |    |       |      |   |        |       |   |    |        |        |   |    |      |   |    |           |   |                 |     |         |       |   |    |                       |        |   |    |      |        |   |                 |          |
|   | 機外静圧           | Pa                   | 0                       |                         |  |                       |                       |                  |    |        |    |    |       |      |   |        |       |   |    |        |        |   |    |      |   |    |           |   |                 |     |         |       |   |    |                       |        |   |    |      |        |   |                 |          |
|   | 風向調節           | 上下方向                 | 30°~60°の間で5段階に設定可       |                         |  |                       |                       | ・スイング            |    |        |    |    |       |      |   |        |       |   |    |        |        |   |    |      |   |    |           |   |                 |     |         |       |   |    |                       |        |   |    |      |        |   |                 |          |
|   | 左右方向           | —                    | —                       |                         |  |                       |                       |                  |    |        |    |    |       |      |   |        |       |   |    |        |        |   |    |      |   |    |           |   |                 |     |         |       |   |    |                       |        |   |    |      |        |   |                 |          |
| 運転音   | dB             | 静粛27-弱28-中29-強31     |                         |                         |  |                       |                       |                  |    |        |    |    |       |      |   |        |       |   |    |        |        |   |    |      |   |    |           |   |                 |     |         |       |   |    |                       |        |   |    |      |        |   |                 |          |
| 製品質量  | kg             | 22+6(パネル)            |                         |                         |  |                       |                       |                  |    |        |    |    |       |      |   |        |       |   |    |        |        |   |    |      |   |    |           |   |                 |     |         |       |   |    |                       |        |   |    |      |        |   |                 |          |
| ドレン配管   | —              | ABS樹脂シート・発泡PS(防カビ仕様) |                         |                         |  |                       |                       |                  |    |        |    |    |       |      |   |        |       |   |    |        |        |   |    |      |   |    |           |   |                 |     |         |       |   |    |                       |        |   |    |      |        |   |                 |          |
| ドレン配管サイズ  | —              | VP-25                |                         |                         |  |                       |                       |                  |    |        |    |    |       |      |   |        |       |   |    |        |        |   |    |      |   |    |           |   |                 |     |         |       |   |    |                       |        |   |    |      |        |   |                 |          |
| 室外ユニット  | 室外形名           | MPU-P80SHA3          |                         | 室内ユニット電源<br>(*内外別受電接続時) | F  | mm <sup>2</sup>       | 0.3~1.25              |                  |    |        |    |    |       |      |   |        |       |   |    |        |        |   |    |      |   |    |           |   |                 |     |         |       |   |    |                       |        |   |    |      |        |   |                 |          |
|   | 外形寸法<H×W×D>    | mm                   | 740×950×330(+30)        |                         |  |                       |                       |                  |    |        |    |    |       |      |   |        |       |   |    |        |        |   |    |      |   |    |           |   |                 |     |         |       |   |    |                       |        |   |    |      |        |   |                 |          |
|   | 外装色<マンセル>      | —                    | アイボリー<3Y 7.8/1.1>       |                         |  |                       |                       |                  |    |        |    |    |       |      |   |        |       |   |    |        |        |   |    |      |   |    |           |   |                 |     |         |       |   |    |                       |        |   |    |      |        |   |                 |          |
|   | 圧縮機            | 1日の冷凍能力              | 法定トン                    |                         |  |                       |                       | 0.250~0.970      |    |        |    |    |       |      |   |        |       |   |    |        |        |   |    |      |   |    |           |   |                 |     |         |       |   |    |                       |        |   |    |      |        |   |                 |          |
|   | 機保護装置          | —                    | 全密閉×1.8kW×1             |                         |  |                       |                       |                  |    |        |    |    |       |      |   |        |       |   |    |        |        |   |    |      |   |    |           |   |                 |     |         |       |   |    |                       |        |   |    |      |        |   |                 |          |
|   | 送風機(形式×出力×個数)  | —                    | 吐出温度検知、過電流検知回路          |                         |  |                       |                       |                  |    |        |    |    |       |      |   |        |       |   |    |        |        |   |    |      |   |    |           |   |                 |     |         |       |   |    |                       |        |   |    |      |        |   |                 |          |
|   | 送風機            | 送風機(形式×出力×個数)        | —                       |                         |  |                       |                       | プロペラファン×0.06kW×1 |    |        |    |    |       |      |   |        |       |   |    |        |        |   |    |      |   |    |           |   |                 |     |         |       |   |    |                       |        |   |    |      |        |   |                 |          |
|   | 風量             | m <sup>3</sup> /min  | 50                      |                         |  |                       |                       |                  |    |        |    |    |       |      |   |        |       |   |    |        |        |   |    |      |   |    |           |   |                 |     |         |       |   |    |                       |        |   |    |      |        |   |                 |          |
|   | 送風機用保護装置       | —                    | 過熱/過電流保護                |                         |  |                       |                       |                  |    |        |    |    |       |      |   |        |       |   |    |        |        |   |    |      |   |    |           |   |                 |     |         |       |   |    |                       |        |   |    |      |        |   |                 |          |
|   | 運転音(冷房/暖房)     | dB                   | 46                      |                         |  |                       |                       |                  |    |        |    |    |       |      |   |        |       |   |    |        |        |   |    |      |   |    |           |   |                 |     |         |       |   |    |                       |        |   |    |      |        |   |                 |          |
| 製品質量  | kg             | 59                   |                         |                         |  |                       |                       |                  |    |        |    |    |       |      |   |        |       |   |    |        |        |   |    |      |   |    |           |   |                 |     |         |       |   |    |                       |        |   |    |      |        |   |                 |          |
| 共通事項  | 冷媒             | kg                   | R410A×2.5               |                         |  |                       |                       |                  |    |        |    |    |       |      |   |        |       |   |    |        |        |   |    |      |   |    |           |   |                 |     |         |       |   |    |                       |        |   |    |      |        |   |                 |          |
|   | 冷媒配管長          | m                    | 20(追加チャージ時30)           |                         |  |                       |                       |                  |    |        |    |    |       |      |   |        |       |   |    |        |        |   |    |      |   |    |           |   |                 |     |         |       |   |    |                       |        |   |    |      |        |   |                 |          |
|   | 高低差            | m                    | 30                      |                         |  |                       |                       |                  |    |        |    |    |       |      |   |        |       |   |    |        |        |   |    |      |   |    |           |   |                 |     |         |       |   |    |                       |        |   |    |      |        |   |                 |          |
|   | 室内側冷媒配管径(液/ガス) | mm                   | φ6.35/φ12.7             |                         |  |                       |                       |                  |    |        |    |    |       |      |   |        |       |   |    |        |        |   |    |      |   |    |           |   |                 |     |         |       |   |    |                       |        |   |    |      |        |   |                 |          |
| 室外側冷媒配管径(液/ガス)  | mm             | φ9.52/φ15.88         |                         |                         |  |                       |                       |                  |    |        |    |    |       |      |   |        |       |   |    |        |        |   |    |      |   |    |           |   |                 |     |         |       |   |    |                       |        |   |    |      |        |   |                 |          |
| 温度設定(リモコン)  | 冷房・ドライ19~30°C  |                      |                         |                         |  |                       |                       |                  |    |        |    |    |       |      |   |        |       |   |    |        |        |   |    |      |   |    |           |   |                 |     |         |       |   |    |                       |        |   |    |      |        |   |                 |          |
| 使用温度範囲  | 冷房             | 室内                   | 乾球温度19~32°C/湿球温度15~23°C |                         |  |                       |                       |                  |    |        |    |    |       |      |   |        |       |   |    |        |        |   |    |      |   |    |           |   |                 |     |         |       |   |    |                       |        |   |    |      |        |   |                 |          |
|   |                | 室外                   | 乾球温度-5~43°C/ —          |                         |  |                       |                       |                  |    |        |    |    |       |      |   |        |       |   |    |        |        |   |    |      |   |    |           |   |                 |     |         |       |   |    |                       |        |   |    |      |        |   |                 |          |
|   | 暖房             | 室内                   | —                       |                         |  |                       |                       |                  |    |        |    |    |       |      |   |        |       |   |    |        |        |   |    |      |   |    |           |   |                 |     |         |       |   |    |                       |        |   |    |      |        |   |                 |          |
|   |                | 室外                   | —                       |                         |  |                       |                       |                  |    |        |    |    |       |      |   |        |       |   |    |        |        |   |    |      |   |    |           |   |                 |     |         |       |   |    |                       |        |   |    |      |        |   |                 |          |
| セット別売形名   | リモコン           | PAR-24MA             |                         | 室内ユニット電源<br>(*内外別受電接続時) | F  | mm <sup>2</sup>       | 0.3~1.25              |                  |    |        |    |    |       |      |   |        |       |   |    |        |        |   |    |      |   |    |           |   |                 |     |         |       |   |    |                       |        |   |    |      |        |   |                 |          |
|   | パネル            | MPLP-P160BWE         |                         |                         |  |                       |                       |                  |    |        |    |    |       |      |   |        |       |   |    |        |        |   |    |      |   |    |           |   |                 |     |         |       |   |    |                       |        |   |    |      |        |   |                 |          |
|   | 配管             | MSDD-50SR2           |                         |                         |  |                       |                       |                  |    |        |    |    |       |      |   |        |       |   |    |        |        |   |    |      |   |    |           |   |                 |     |         |       |   |    |                       |        |   |    |      |        |   |                 |          |
| 注意事項  |                |                      |                         |                         |  |                       |                       |                  |    |        |    |    |       |      |   |        |       |   |    |        |        |   |    |      |   |    |           |   |                 |     |         |       |   |    |                       |        |   |    |      |        |   |                 |          |
| 1. 冷房能力および電気特性はJISB8615-1の条件で運転した場合の数値です。<br>定格冷房能力(室内側:乾球27.0°C,湿球19.0°C,外気温度:乾球35.0°C)<br>延長配管7.5m(相当長)、高低差0m |                |                      |                         |                         |  |                       |                       |                  |    |        |    |    |       |      |   |        |       |   |    |        |        |   |    |      |   |    |           |   |                 |     |         |       |   |    |                       |        |   |    |      |        |   |                 |          |
| 2. 冷房能力の( )内は、能力変化の値を示します。  |                |                      |                         |                         |  |                       |                       |                  |    |        |    |    |       |      |   |        |       |   |    |        |        |   |    |      |   |    |           |   |                 |     |         |       |   |    |                       |        |   |    |      |        |   |                 |          |
| 3. 運転音は、JIS規格に準じて、反響の少ない無響室で測定した数値(Aスケール)です。<br>実際に据付た状態で測定すると、周囲の騒音や反響などの影響を受け、表示数値より、大きくなるのが普通です。             |                |                      |                         |                         |  |                       |                       |                  |    |        |    |    |       |      |   |        |       |   |    |        |        |   |    |      |   |    |           |   |                 |     |         |       |   |    |                       |        |   |    |      |        |   |                 |          |

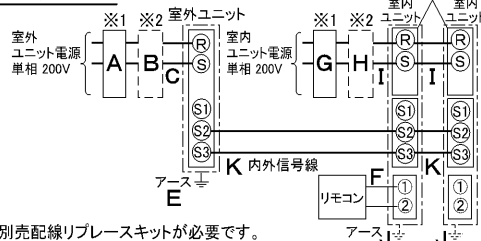
### 電気配線図

#### (1) 電源重畳方式



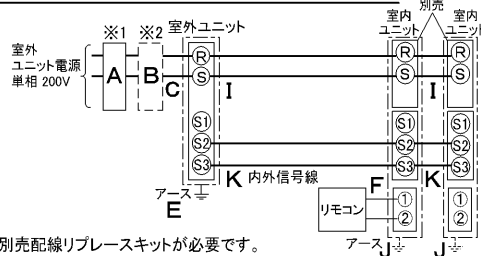
※室内外の渡り配線の総延長が80m以上となる場合は、電源重畳方式での配線はできません。  
必ず(2)内外別受電方式あるいは(3)室外ユニットより室内ユニットに電源を供給する方式にしてください。

#### (2) 内外別受電方式



※別売配線リブレスキットが必要です。

#### (3) 室外ユニットより室内ユニットに電源を供給する方式



※別売配線リブレスキットが必要です。

(2)または(3)の場合、S1-S1間の渡り配線は絶対に行わないでください。

- ※1. 電源には必ず漏電遮断器を取付けてください。  
漏電遮断器は、インバーター回路用遮断器(三菱電機製NV-Cシリーズまたは、その同等品)を選定してください。
- ※2. 漏電遮断器が地絡保護専用の場合には、漏電遮断器と直列に手元開閉器(開閉器+B種ヒューズ)または、配線用遮断器が必要となります。
- ・電線太さは、20mまでの電圧降下を見込んで選定してありますので、20mを超える場合は、電圧降下を考慮して「内線規程」等に従い、お選びください。
- ・電力会社の地区により規制を受ける場合がありますので、事前に所轄の電力会社にお問い合わせください。

| 空冷式パッケージエアコン仕様書 |          | 4方向天井カセット形(パワーカセット)／(同時ツイン同容量同タイプ) |                     |               |    |    |
|-----------------|----------|------------------------------------|---------------------|---------------|----|----|
| グリーン購入法適合       |          | 形名                                 | <標準仕様> MPLX-P80SBED |               |    |    |
|                 | 作成日      | 2005-10-20                         | 図番                  | MPLXP80SBED-5 | 副番 | 記号 |
|                 | 三菱電機株式会社 |                                    |                     |               |    |    |

- 注1. 化粧パネルは標準パネル、ムーブアイパネル、標準パネルカンタン自動パネル、ムーブアイパネルカンタン自動パネルからお選びください。
2. ドレン配管はPVC管VP-25を使用してください。ドレンポンプ内蔵です。最大揚程は天井面から850mmです。
3. 吊りボルトはM10またはW3/8ネジを使用してください。(現地手配)
4. サービス時、電気品箱を取外す事があります。電源線並びにリモコン線、室内外接続線の接続時には、電線に十分な余裕を持たせてください。
5. カンタンコーナポケットより、化粧パネルを付けたまま本体の高さ調整が可能です。
6. 別売加湿器(別吊り方式)、取付時は天井ふところ高さが、360mm以上必要となります。別売加湿器(直付け方式)、取付時は天井ふところ高さが、300mm以上必要となります。
7. 別売多機能ケースメント及び別売高性能フィルター又は別売電気集塵機取付時の注意
- 1) 天井ふところ高さがE以上必要となります。
  - 2) 図中の※印部の寸法は、135mm加算されます。
  - 3) 別売高性能フィルターは、別売多機能ケースメントと併用となります。
8. 分ダクト接続時は、十分な断熱を行なってください。(露付、露たれの原因になります)
9. 必要な据え付け・サービススペースは下図を参照願います。



加湿器(別吊り方式)用ダクト接続口詳細図(両側面)

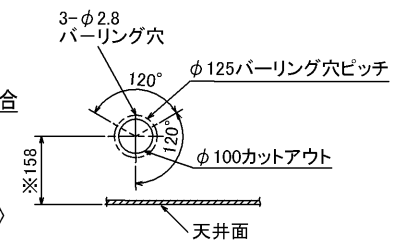


分ダクト接続口詳細図(両側面)

\* 加湿器(直付け方式)取付け時は指定方向の350×100のカットアウト部を使用します。



新鮮外気取入口詳細図

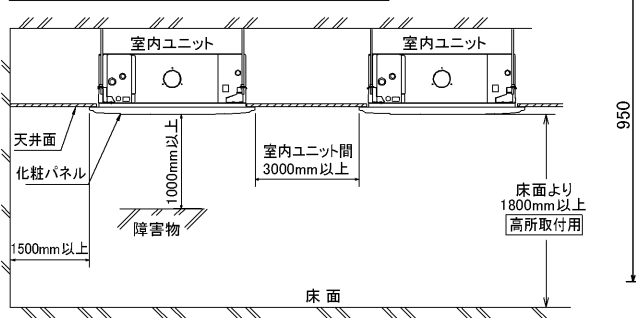


\* 機種ごとの能力は下記による。  
MPLZ-RP・BA...40,45,50,56,63,71,80,112,140,160  
MPL-RP・BA...40,45,50,56,63,71,80,112,140,160

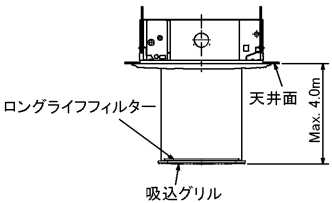
|          | ①                        | ②                         | A   | B   | C  | D  | E   |
|----------|--------------------------|---------------------------|-----|-----|----|----|-----|
| 40~63形   | 冷媒配管 φ6.35<br>フレア接続 1/4F | 冷媒配管 φ12.7<br>フレア接続 1/2F  | 241 | 258 | 80 | 74 | 400 |
| 71,80形   |                          |                           |     |     |    |    |     |
| 112形     | 冷媒配管 φ9.52<br>フレア接続 3/8F | 冷媒配管 φ15.88<br>フレア接続 5/8F | 281 | 298 | 85 | 77 | 440 |
| 140,160形 |                          |                           |     |     |    |    |     |

RG01V147

据え付け所要スペース(室内ユニット)

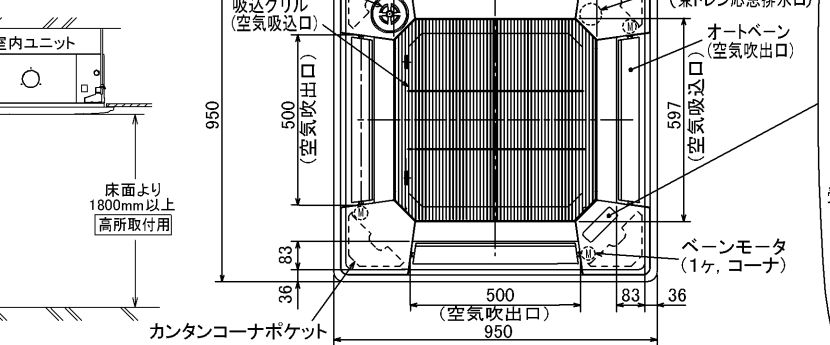


カンタン自動パネル 吸込グリル昇降寸法



ムーブアイパネルの場合

放射センサー(ムーブアイ)  
※標準パネルの場合、放射センサーはありません。

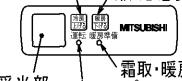


標準パネルの場合 (社名表示部)



カンタン自動パネルの場合  
別売ワイヤレス受光部キット取付の場合 (社名表示部)

応急運転スイッチ<冷房>  
兼 応急昇降スイッチ<上げる>  
応急運転スイッチ<暖房>  
兼 応急昇降スイッチ<下げる>



別売電気集塵機取付の場合 (社名表示部)



| 単位       | スケール | 作成日       | 形名                                 | MPLZ-RP40~160BA<br>MPL-RP40~160BA |
|----------|------|-----------|------------------------------------|-----------------------------------|
| mm       | NTS  | 2005-12-7 | パッケージエアコン室内ユニット外形図<br>(4方向天井カセット形) |                                   |
| 三菱電機株式会社 |      |           | 図番                                 | 7PQEDA                            |
|          |      |           | 副番                                 | A                                 |
|          |      |           | 記号                                 |                                   |

**1 設置スペース(周囲必要空間)**

下図は基本例を示します。  
詳細につきましては工事マニュアル等の  
技術資料を参照願います。



**2 サービススペース**

サービススペースは下図の  
寸法が必要になります。



**3 基礎ボルト**

M10の基礎ボルトでユニットの据付足を  
4ヶ所強固に固定してください。  
(基礎ボルト、座金、ナットは現地手配です。)



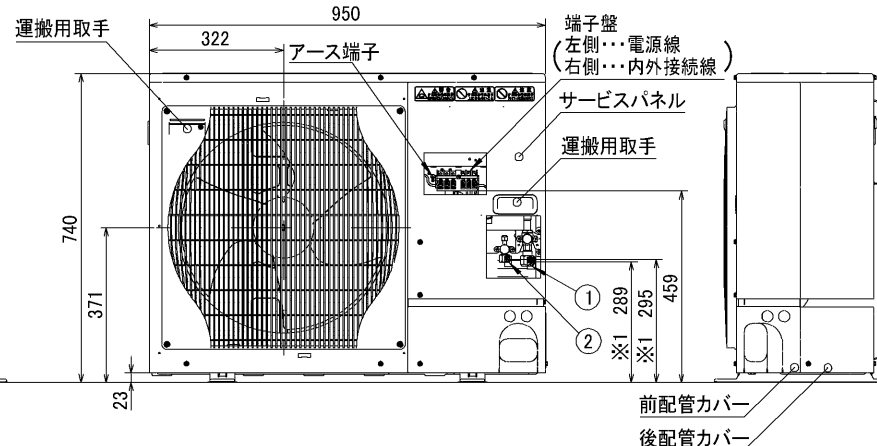
**4 配管・配線取入れ方向**

配管、配線接続は、  
前面、右側面、後面、下面の  
4方向から取入れできます。



**記号説明**

- ①…冷媒ガス配管接続口(フレア接続)φ15.88(5/8F)
- ②…冷媒液配管接続口(フレア接続)φ9.52(3/8F)
- ※1…ストップバルブの接続先端寸法を示します。



**配管ノックアウト穴詳細**



BK01B413

|          |      |           |                    |   |
|----------|------|-----------|--------------------|---|
| 単位       | スケール | 作成日       | 形名                 | MPUZ-P80(S)・112HA3(-BS(G))<br>MPU-P80(S)・112HA3 |
| mm       | NTS  | 2006-3-15 | パッケージエアコン室外ユニット外形図 |   |
| 三菱電機株式会社 |      |           | 図番<br>(形名コード)      | 7JMCKA 副番 A 記号                                  |

# 三菱電機 **ビル** 空調管理システム仕様書

## ■仕様表

| 項目           | 内容  |                   |
|--------------|---|-------------------|
| 外形寸法 (H×W×D) | 120×130×19mm  |                   |
| 質量           | 0.2kg   |                   |
| 電源           | DC12V 室内ユニットより伝送線を介して受電   |                   |
| 使用環境条件       | 温度  | 0~40℃             |
|              | 湿度  | 30~90%RH (結露なきこと) |
| 材質           | PS  |                   |
| 外観色          | ビュアホワイト (マンセル6, 4Y8.9/0.4)  |                   |
| 配付方法         | JIS C8340の2個用のスイッチボックス(現地手配)へ取り付け。または、壁に直付け。<br>MAリモコン線は、無極性2線でMAリモコン専用端子に接続。<br>別売品 リモコンケーブル(PAC-YT81HC (10m))<br>(PAC-YT82HC (20m)) |                   |

## ■接続機種

| 制御対象ユニット      |                    |
|---------------|--------------------|
| フリープラン用室内ユニット | Mr.Slim室内ユニット(A制御) |
| フリープラン用ロスナイ*1 |                    |

\*1 室内ユニットを介して接続(直接接続不可)

## ■機能表

| 項目          | 設定 | 表示 | 内容   |
|-------------|----|----|--|
| 運転/停止       | ○  | ○  | 運転/停止の切替が可能  |
| 運転モード切替     | ○  | ○  | 冷房/ドライ/自動/送風/暖房の切替が可能  |
| 室温設定        | ○  | ○  | 下記の範囲で温度設定できます。(空調機により温度範囲が異なります。下記は標準機種の場合です。)<br>冷房・ドライ: 19~30℃ / 暖房: 17~28℃ / 自動: 19~28℃  |
| 風速設定        | ○  | ○  | 風速の切替えができます。*ユニットにより選択可能な風量は異なります。   |
| 風向設定        | ○  | ○  | 風向の切替えができます。*ユニットにより選択可能な風向は異なります。   |
| ルーバー設定      | ○  | ○  | ルーバーの運転/停止切替が可能  |
| 手元操作への禁止/許可 | ×  | ○  | 上位コントローラの設定により、運転/停止、運転モード、設定温度フィルターサインリセット操作が禁止されます。<br>*禁止中は【集中管理中】が点灯します。                 |
| 運転モードの切替制限  | ×  | ○  | 上位コントローラからの設定により、下記モードへの操作が禁止されます。<br>冷房禁止時: 冷房・ドライ・自動 / 暖房禁止時: 暖房・自動<br>冷暖禁止時: 冷房・ドライ・暖房・自動 |

○: グループ別操作 ×: 対応不可

| 項目           | 設定 | 表示 | 内容   |
|--------------|----|----|--|
| 室温表示         | -  | ○  | 空調機の運転時のみ、室内ユニットの暖込み温度を表示します。  |
| 異常表示         | -  | ○  | 現在発生している異常内容を、アドレスとともに表示します。<br>また、異常発生時に連絡先の電話番号を表示させることも可能です。<br>*異常内容によりアドレス表示しない場合もあります。   |
| タイマー運転       | ○  | ○  | 簡易タイマー/消し忘れタイマーの何れかを使用可能です。<br>・簡易タイマー: ON/OFFを1回行うタイマー<br>(1時間単位で72時間まで、ONまたはOFFのみの設定も可能)<br>・消し忘れタイマー: 運転後に一定時間経過すると停止するタイマー<br>(運転時間を30分単位で4時間まで設定可能) |
| 換気機器操作       | ○  | ○  | フリープランユニット管理時<br>フリープラン用ロスナイの運転設定及び運転運転設定が可能<br>換気運転機器の停止/弱/強の切替可能<br>ミスタースリムユニット管理時(A制御)<br>マイコンタイプロスナイの運転運転操作が可能<br>換気運転機器の弱/強の切替可能                    |
| 言語切替機能       | ○  | ○  | 表示する言語(ドット表示部)を切替えることができます。  |
| スムーズメンテナンス機能 | ○  | ○  | メンテナンス安定運転への切替が可能です。<br>メンテナンス情報を表示することができます。<br>*メンテナンス機能対応ユニットのみ可能です。  |
| 異常時の連絡先表示機能  | ○  | ○  | 異常発生時に連絡する電話番号を登録し、表示することができます。<br>*異常発生時には、登録されている電話番号を表示します。   |
| 温度設定範囲制限機能   | ○  | ○  | 初期設定により、室温設定の温度範囲を制限することができます。   |
| 操作制限機能       | ○  | ○  | リモコンスイッチの操作ロックの設定/解除ができます。<br>・全スイッチロック<br>・運転/停止スイッチ以外のスイッチロック  |
| 外部入力         | ×  | ×  | 外部入力はできません。  |
| 外部出力         | ×  | ×  | 外部出力はできません。  |
| 自動昇降パネル操作    | ○  | ○  | 自動昇降パネルの上昇/下降の操作ができます。<br>*自動昇降対応ユニットのみ可能です。   |
| ベーン角度設定      | ○  | ○  | 吹き出し口の角度の固定操作ができます。<br>*ベーン角度固定対応ユニットのみ可能です。   |

## 外形図



## 第3角法



三菱電機ビル空調管理システム

|       |            |
|-------|------------|
| 名称    | MAスムーズリモコン |
| 形名    | PAR-24MA   |
| 形名コード | 7EY240     |

三菱電機株式会社

# 三菱電機パッケージエアコン用別売部品仕様書

品名

分配管

形名

MSDD-50SR2

## 1. 仕様

| 項目  | 内容     |                             |
|-----|--------|-----------------------------|
| 本体  | 分配比    | 室外ユニット容量を50:50に2分配          |
|     | 分配管本数  | 液管用・ガス管用 各1本                |
|     | パイプ材質  | リン脱酸銅 C1220T-OL (JIS H3300) |
| 付属品 | パイプカバー | 発泡スチロール成型品 (液管・ガス管用 各1個)    |
|     | 異径管    | 3種類 5本                      |

## 2. 外形図

液管用



ガス管用



異径管 (付属品)



| φA (内径) | φB (外径) | 本数 |
|---------|---------|----|
| 6.35    | 9.52    | 2  |
| 12.7    | 15.88   | 2  |



| φC (内径) | φD (外径) | 本数 |
|---------|---------|----|
| 19.05   | 15.88   | 1  |

三菱電機パッケージエアコン用別売部品仕様書

形名

MSDD-50SR2

 三菱電機株式会社

第3角法  
単位: mm

作成日  
2004-9-1

仕様書番号  
(形名コード)

7EAS5A

副番