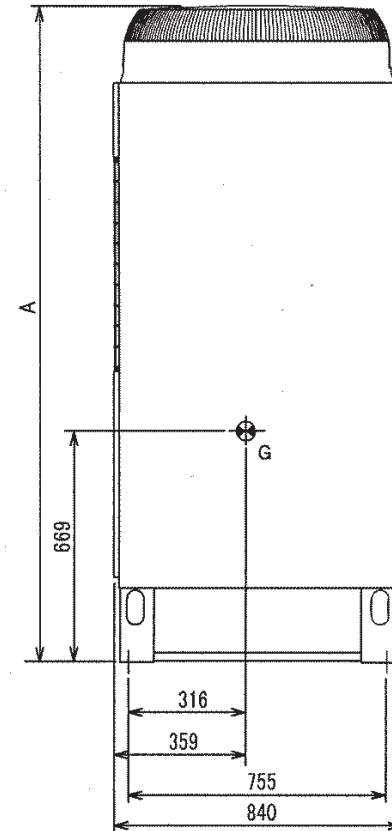
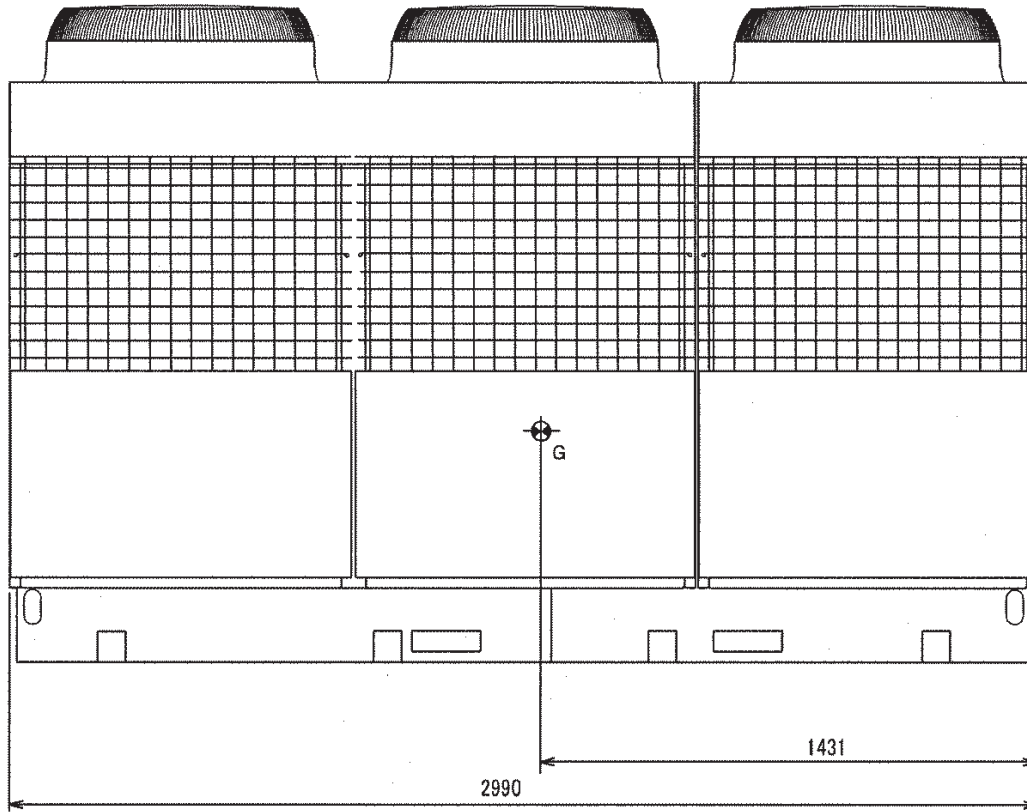


# CAH-P630C, CAH-P630D形重心位置図

|           | A    |
|-----------|------|
| CAH-P630C | 1915 |
| CAH-P630D | 1955 |



WYN48-1283-E  
(2/2)