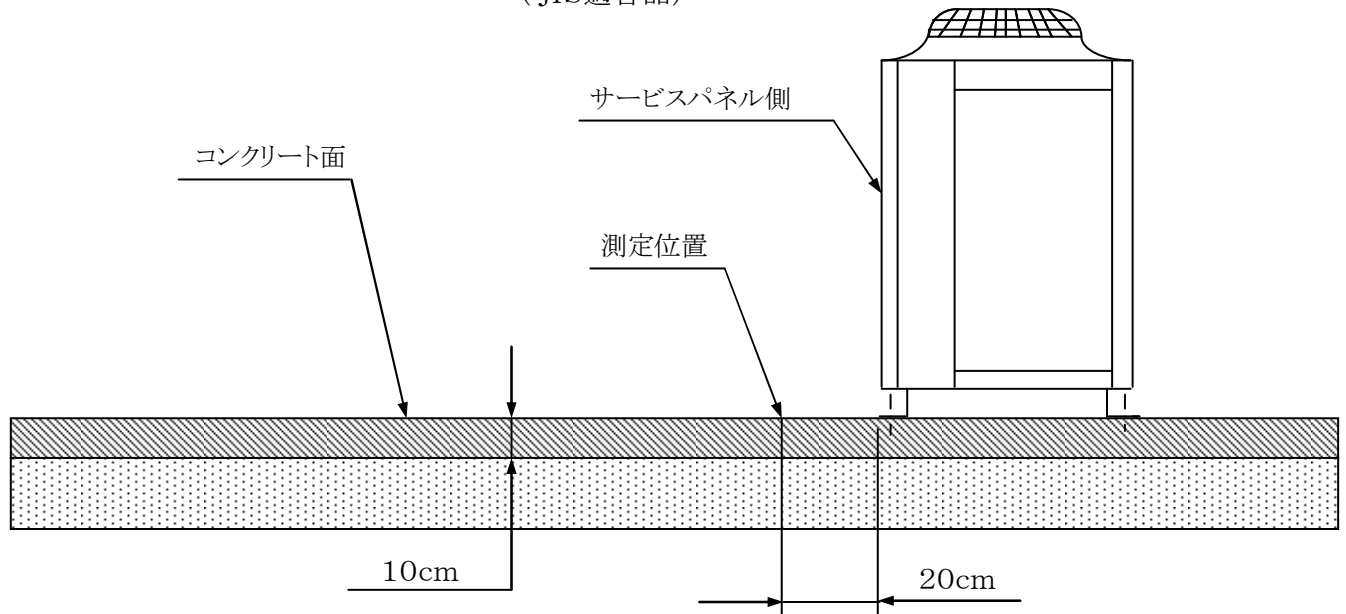


# PUHY-P630～1400SCM-E3(-BS,-BSG) 振動レベル値

## 1. 測定条件

- ①測定周波数帯 : 1Hz～80Hz
- ②測定位置 : ユニット脚部より20cmの距離の路面
- ③据付状態 : コンクリート床面直置
- ④電源 : 三相200V 50Hz/60Hz
- ⑤運転条件 : JIS条件(冷房、暖房)
- ⑥測定機器 : 公害用振動レベル計 VM-1220C  
(JIS適合品)



## 2. 振動レベル値

形名	振動レベル値 <dB>
PUHY-P630SCM-E3(-BS,-BSG)	49.5
PUHY-P690SCM-E3(-BS,-BSG)	49.5
PUHY-P730SCM-E3(-BS,-BSG)	50
PUHY-P800SCM-E3(-BS,-BSG)	50
PUHY-P850SCM-E3(-BS,-BSG)	50
PUHY-P900SCM-E3(-BS,-BSG)	50
PUHY-P960SCM-E3(-BS,-BSG)	50
PUHY-P1010SCM-E3(-BS,-BSG)	50
PUHY-P1080SCM-E3(-BS,-BSG)	51.5
PUHY-P1130SCM-E3(-BS,-BSG)	52
PUHY-P1180SCM-E3(-BS,-BSG)	52
PUHY-P1240SCM-E3(-BS,-BSG)	52
PUHY-P1300SCM-E3(-BS,-BSG)	52
PUHY-P1360SCM-E3(-BS,-BSG)	52
PUHY-P1400SCM-E3(-BS,-BSG)	52

<注> 上記値は暗振動補正を行ったものである。